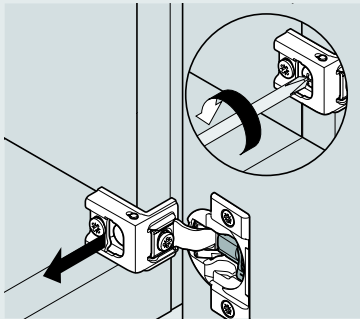


COMPACT BLUMOTION — Angle restriction clip

Assembly instructions

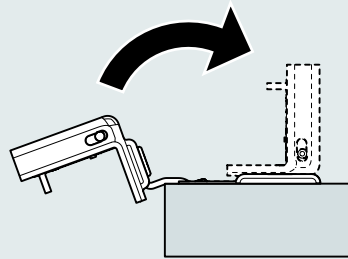
Step 1 — Remove door

Loosen and remove installation screws.



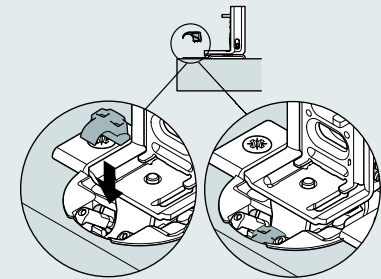
Step 2 — Rotate hinge arm

Rotate hinge arm to closed position.
“click”



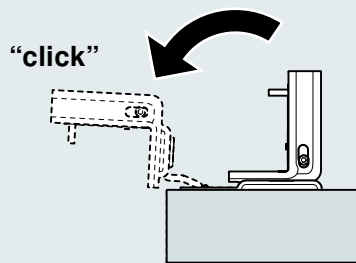
Step 3 — Insert angle restriction clip

Insert angle restriction clip (38C315B3) into base of hinge arm.



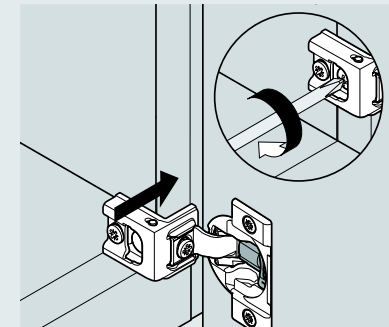
Step 4 — Rotate hinge arm

Rotate hinge arm to open position to secure.



Step 5 — Reattach door

Align door and reattach by inserting and tightening installation screws.



Subject to technical modifications without notice. © 2011

LIT.HNG5500.01.11

 **blum**[®]

10-0552-1 NEW