



# 1951 Cabinetry Specification Guide

This is your guide to the product additions and enhancements we've made to our line of cabinets. If you would like further clarification about any of our products or processes, please call the Partner Team at 877-957-7278.

## Parts Directory

The Parts Directory is included in the back of this guide.

## Continuous Improvement

In keeping with our policy of continuous product refinement, 1951 Cabinetry reserves the right to change specifications in design and materials as conditions require.

## What's New?

The color teal is used to highlight items that are newly available in the 1951 Cabinetry product offering for easy identification.

### Spring 2024

#### New Door Styles

- Abilene: a full overlay mitered door with a recessed panel, paired with a slab drawer front
- Bandera DFO: a full overlay raised panel door, paired with a 5-Piece raised panel drawer front
- Carson: a partial overlay mitered door with a recessed panel, paired with a slab drawer front
- Belcourt: a full overlay mitered slim shaker door with a recessed panel, paired with a slab drawer front
- Belcourt DFO: a full overlay mitered slim shaker door with a recessed panel, paired with a 5-piece drawer front

#### New Finishes

- Cherry Clove finish available on all Cherry door styles
- Maple Almond finish available on all Maple door styles

#### Wall Cabinet Expansion

- 24" High: W3724 X 24DP BUTT, W3724 X 24DP BUTT SD
- 21" High: W3721 X 24DP BUTT, W3721 X 24DP BUTT SD
- 18" High: W3718 X 24DP BUTT, W3718 X 24DP BUTT SD
- 15" High: W1215, W1215 SD, W1515, W1515 SD, W1815, W1815 SD, W2115, W2115 SD, W2415 BUTT, W2415 BUTT SD, W2715 BUTT, W2715 BUTT SD, W3715 X 24DP BUTT, W3715 X 24DP BUTT SD, CW2415, CW2415 SD, CW2715, CW2715 SD
- 12" High: W1212, W1212 SD, W1512, W1512 SD, W1812, W1812 SD, W2112, W2112 SD, W2412 BUTT, W2412 BUTT SD, W2712 BUTT, W2712 BUTT SD, W3712 X 24DP BUTT, W3712 X 24DP BUTT SD, CW2412, CW2412 SD, CW2712, CW2712 SD
- Wall Microwave Cabinets: WMC271839, WMC271836, WMC272139, WMC272136
- Corner Wall w/ Appliance Garage: CWDS2448, CWDS2448 SD, CWD2448, CWD2448 SD, CW2448 WD, CW2448 WD SD

#### Base Cabinet Expansion

- Full-Height Blind Base Cabinet: BLB36/39 FH, BLB39/42 FH, BLB42/45 FH
- Built-in Base Microwave Cabinet: BBMC24, BBMC27, BBMC30

#### Sink Base Multi-Storage Cabinet Redesign and Rename

- SBMSC30 BUTT STO
- SBMSC36 BUTT STO

#### Molding Expansion

- Molding Stacks: MS CLASSIC \_\_\_, MS TRANSITIONAL \_\_\_, MS MODERN \_\_\_
- Large Crown Molding: LCM8
- Shoe Molding: SHM8
- Straight Trim Molding: UM8

#### Toe Kick Rename

- BTK8 PRT changes to BTK8

#### Discontinued

- Tucson
- Tahoe
- Cherry Java
- Maple Spice
- B15 PBDSU
- B18 PBDSU
- B18 CBDR
- SB18 STO
- Plastic Tilt-Out Trays: TO TRAY \_\_\_
- Sink Base Cabinets w/ Plastic Tilt-Out Tray: SB\_\_\_ TO
- BR2B15
- WBUI5
- CBDRK18
- PBDSU15
- PBDSU18
- CUSH CLOSE DR BUFFER
- STB

## Introduction

Contact Information.....	4
Ordering.....	5
Delivery.....	6
Replacements.....	7
Warranty.....	8

## Door Styles

Elite Series Collections.....	10
Elite Species & Finish Availability.....	11
Canyon.....	12
Durango.....	13
Elderidge.....	14
Premium Series Collections.....	16
Premium Species & Finish Availability.....	17
Abilene.....	18
Belcourt.....	19
Clayton.....	20
Lubbock.....	21
Oxridge.....	22
Prime Series Collections.....	24
Prime Species & Finish Availability.....	25
Bandera.....	26
Cooper.....	27
Denver.....	28
Choice Series Collections.....	30
Choice Species & Finish Availability.....	31
Barren.....	32
Carson.....	33

## Standard Cabinet Specifications

Certification.....	36
Cabinet Specifications.....	37
Finishing Systems.....	38
Door Species & Characteristics.....	39
Wall Cabinet Construction.....	40
Base Cabinet Construction.....	41
Cabinet Dimensions.....	42
Hardware.....	45
Installed Height Guidelines.....	46
Ceiling Height Requirements.....	48
Overlay Dimensions.....	49

## Construction Options

Legend.....	52
Premium Finish Cabinet Option.....	53
All Plywood Construction.....	54
Plywood Ends Option.....	54
Accessible Height Option.....	55
CushionClose Hinge Option.....	56
CushionClose Drawer Option.....	56
CushionClose Deep Dovetail Sliding Shelf Option.....	56
Reduced Depth Option.....	57
Increased Depth Option.....	58
Cabinet Front Only Option.....	58
Furniture Ends Option.....	59
Inverted Frame Option.....	59
Recessed Toe Kick Option.....	60
Full Depth Shelf Option.....	60
Matching Interior Option.....	61
Void Door Option.....	62
Void Top Drawer Option.....	62
Specialty Door Options.....	63
Specialty Door Availability.....	64
Open Frame Door Profiles.....	65
Mullion Frame Door Profiles.....	66
Glass Inserts.....	68
Decorative Glass Clips.....	69

## Wall Cabinets

Standard.....	72
With Spice Rack.....	74
Wall Top Hinge.....	74
Microwave.....	75
Blind.....	76
Corner.....	78
Wall End Angle.....	80
Specialty.....	80
Range Hoods.....	83
Accessories.....	89

## Base Cabinets

One Door Base Cabinets.....	93
One Door Base With Sliding Shelves.....	94
One Door Base With Accessories.....	94
One Door Base With Factory Installed Drawer Organizer.....	96
Two Door Base Cabinets.....	97
Two Door Base With Sliding Shelves.....	97
Two Door Base With Accessories.....	97
Two Door Base With Factory Installed Drawer Organizer.....	98
Two Door Two Top Drawer Base Cabinets.....	99
Two Door Two Top Drawer Base Cabinets With Sliding Shelves.....	99
Three Door Base Cabinets.....	99
Three Door Base with Sliding Shelves.....	100
One Door Full-Height Base Cabinets.....	100
One Door Full-Height Base Cabinets with Sliding Shelves.....	101
One Door Full-Height Base Cabinets with Accessories.....	101
Two Door Full-Height Base Cabinets.....	102
Two Door Full-Height Base Cabinets with Sliding Shelves.....	103
Two Drawer Base.....	104
Two Drawer Base With Factory Installed Drawer Organizer.....	104
Drawer Base.....	105
Drawer Base With Factory Installed Drawer Organizer.....	106
Peninsula.....	107
Full-Height Peninsula Base.....	107
Blind Peninsula Corner Base.....	108
Corner.....	109
Sink/Cooktop.....	115
Sink Base With Factory Installed Tilt-Out Tray(s).....	116
Adaptable Sink Base Kit.....	118
Sink/Cooktop Front.....	118
Specialty.....	119
Accessories.....	122

## Desk Cabinets & Bookshelves

Desk Base Cabinets.....	129
Desk Base Cabinets.....	130
Bookshelves.....	132
Accessories.....	133

## Tall Cabinets

Utility Cabinets.....	136
Utility Cabinets with Adjustable Shelves.....	137
Utility Cabinets with Sliding Shelves.....	138
Utility Cabinets with Pantry Storage.....	139
Oven Cabinets.....	139
Accessories.....	149
Vanity Cabinet.....	153
One Door Vanity Cabinets.....	154
Two Door Vanity Cabinets.....	154
Full-Height Vanity Cabinets.....	155
Vanity Drawer Base.....	155
Vanity Sink Base.....	156
Vanity Combo Sink Base.....	159
Adaptable Sink Base.....	161
Vanity Sink Front.....	161
Specialty.....	161
Accessories.....	162
Vanity Linen Cabinets.....	163
Vanity Linen Accessories.....	163

## Molding & Decorative Accents

Moldings.....	166
Molding Stacks.....	172
Valances.....	175
Corbels.....	177
Decorative Blocks.....	180
Legs and Feet.....	181
Split Post and Block.....	183

## Panels, Fillers & Installation Items

Panels.....	186
Fillers.....	192
Base Toe Kick.....	197
Installation Items.....	198

## Decorative Hardware

.....	201
-------	-----

## Parts Directories

.....	211
-------	-----

## Index

.....	261
-------	-----

## 1951 Cabinetry Contact Information

### Partner Team

Phone: 877-957-7278

Fax: 877-957-7277

Email: [partners@woodmark.com](mailto:partners@woodmark.com)

### Partner Team Hours of Operation

Monday – Friday 8:00 AM – 7:00 PM EST

### 1951 Cabinetry Website

[www.1951cabinetry.com](http://www.1951cabinetry.com)

## Ordering

### 1951 Cabinetry® Service Policy

1951 Cabinetry stands behind a solid Service Policy that supports our goal to deliver a superior customer experience. 1951 Cabinetry is with you every step of the way, starting with easy 24/7 order placement, enhanced customer delivery and rapid resolution.

### Order Placement Procedure

Online Ordering is available 24 hours a day, 7 days a week for order placement, quoting and tracking and can be accessed by logging in to <https://go.woodmark.com/onlineordering>. To ensure accuracy and maintain delivery schedules please include, and even double check, the following information with every order.

- » Delivery address (P.O. Boxes not accepted)
  - » PO, job name and contact information
  - » Contact information should include two phone numbers (home, cell, work, etc) and an email address
  - » Door style, wood species and finish
  - » All quantities, product descriptions and applicable options
  - » Any special delivery services or additional customer needs (if applicable)
  - » Designer name
- All orders received will be processed and an order confirmation sent via email within 1–2 business days of receipt of your order.
  - Upon receipt of the acknowledgement, 1951 strongly encourages that the order be proofed for accuracy.
  - Once an order is processed, it will normally ship from our assembly plants in 15 business days or less. Delivery will be based on the profile established for the specific market and distributor.
  - A final delivery confirmation will be sent via email approximately 10 days prior to delivery.
  - Orders can be modified until the final confirmation notice has been sent. Changes to an order may result in a delay in shipment. The status of all orders can be viewed through our Online Ordering system.

## Delivery

### Delivery Services

1951 ensures client satisfaction with tightly scheduled, pre-arranged deliveries.

### Home and Store Delivery:

- Deliveries are made from 8:00 am to 5:00 pm, Monday through Friday, unless otherwise agreed upon when the appointment is scheduled.
- Deliveries are made to a dry, secure location on the ground level or 1 level up or down from the delivery truck.
- The delivery agent will use the contact information submitted with the order when scheduling.
- Approximately 10 days prior to delivery, an email confirmation will be sent to the email address submitted with the order, providing the first available delivery date.
- Shortly before or after the order leaves our facility, the carrier will call to schedule a delivery date.
- The day before the order delivers, the delivery agent will call to provide a 4 hour delivery window.
- Approximately 1 hour prior to delivery, the driver will call to provide an estimated delivery time.
- If there is evidence of damage to the packaging, the driver may unpack and inspect the cabinets.
- The Partner Team should be contacted immediately in the event of any problems, shortages or damages.
- Special delivery services may be offered on a requested basis. Please contact the Partner Team for additional information.

## Replacement

### Replacement Policy for Damaged, Defective, Mis-shipped or Product Shortage

Replacement items needed as a result of mishandling by 1951 Cabinetry will be shipped on the first possible date based upon product and logistical availability. Contact the Partner Team for assistance.

- Replacement items will be furnished under the following conditions:
  - » Covered under 1951 Cabinetry Limited Lifetime Warranty
  - » Product is damaged during delivery and 1951 is notified within 60 days from delivery date
  - » Product is shorted during delivery and 1951 is notified within 30 days from delivery date
  - » Incorrect product is received due to 1951 error
- Replacement orders do not require a new purchase order. 1951 Cabinetry may request the return of the original part or inspection by a representative.
- Orders for replacement parts must include the original order confirmation number and a detailed description of the problem.
- Photos of the problem may be requested.

### No Return Policy:

- 1951 Cabinetry product is built to order and ships directly to our customers without the use of distribution centers or finished goods inventory warehouses. As a result of this special order process we do not accept customer returns.
- 1951 does not take responsibility for incorrect measurements, dimensions or mis-ordered product.
- 1951 strongly advises to check all order confirmations to verify all products, sizes and options ordered.



## Warranty

### 1951 Cabinetry® Consumer Lifetime Limited Warranty

The manufacturer of 1951 Cabinetry hereby warrants to the original purchaser, for residential applications only, that all 1951 cabinetry, cabinets and accessories, are free from defects in materials and workmanship. This warranty runs for as long as you own your home and begins upon the date of delivery to you. This warranty is expressly limited to repair or replacement of the defective part at the discretion of the manufacturer of 1951 cabinetry, and does not include labor for removal or replacement. This warranty does not extend to defects caused by improper handling, storage, installation, assembly or disassembly, intentional damage, product modifications, exposure to the elements including humidity which may result in warping or splitting, accidental misuse, abuse or negligence.

Natural woods may vary in texture, color and wood grain, and exhibit subtle changes as they age. For example, wood joints may eventually have visible cracking around the joint area and cabinet colors may darken or lighten over time. Sunlight, smoke, moisture, household cleaners and other environmental conditions may cause materials to vary from their original color and/or to warp, split or crack. These variations are considered to be the nature of the material in relation to its environmental exposure and are not covered under this warranty.

### Additional Limitations and Disclaimers

THE MANUFACTURER OF 1951 CABINETRY MAKES NO OTHER WARRANTIES OTHER THAN THOSE SET FORTH HEREIN AND ALL OTHER WARRANTIES ARE HEREBY DISCLAIMED. THE IMPLIED WARRANTIES OF MERCHANTABILITY AND FITNESS FOR A PARTICULAR PURPOSE ARE LIMITED IN DURATION TO THE LENGTH OF THE LIMITED WARRANTY PERIOD. THE LIMITED WARRANTIES SET FORTH HEREIN ARE LIMITED TO THE FIRST AND ORIGINAL BUYER AND ARE NOT TRANSFERABLE THEREAFTER. IN NO EVENT SHALL THE MANUFACTURER OF 1951 CABINETRY BE LIABLE FOR INCIDENTAL OR CONSEQUENTIAL DAMAGES TO THE PURCHASER OR TO ANY THIRD PARTY, INCLUDING, WITHOUT LIMITATION, DAMAGES ARISING FROM PERSONAL INJURY, LOST PROFITS, LOSS OF BUSINESS OPPORTUNITY, LOSS OF PROPERTY, ECONOMIC LOSSES, OR STATUTORY OR EXEMPLARY DAMAGES, WHETHER FROM NEGLIGENCE, WARRANTY, STRICT LIABILITY OR OTHERWISE. Some states do not allow the exclusion or limitation of incidental or consequential damages, or limitations on how long an implied warranty lasts, so the above limitations and exclusions may not apply to you. This warranty gives you specific legal rights, and you may also have other rights, which vary from state to state.

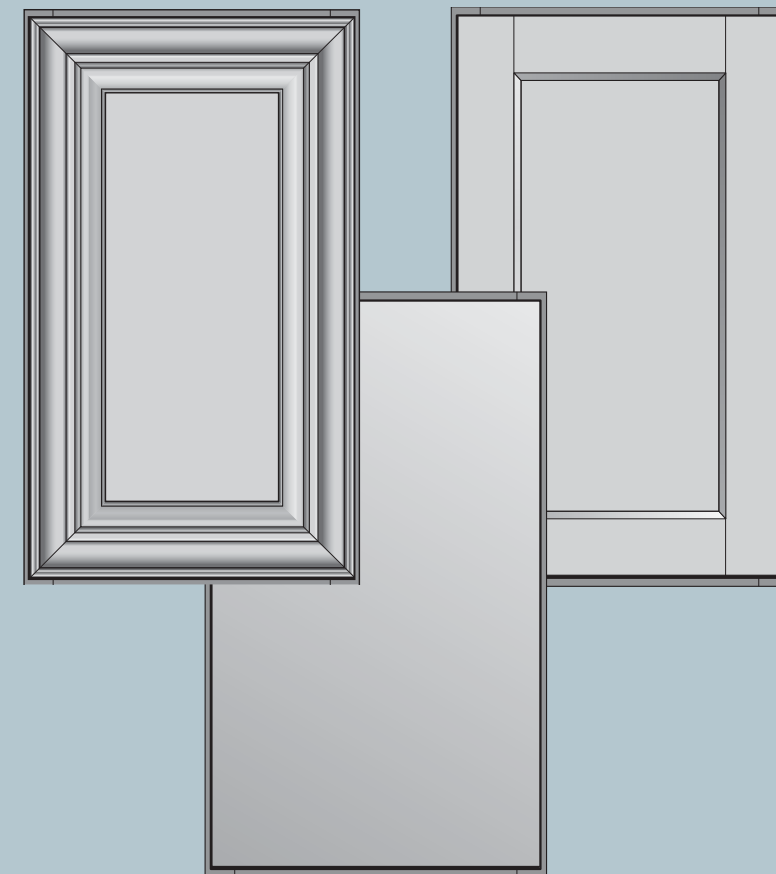
### Claims

All claims for defective cabinets and accessories must be initiated with the Partner Team and must specify the defects present in the cabinets and accessories. After the manufacturer has had an opportunity to inspect the cabinets and accessories, it will, at their discretion, either replace defective cabinets and accessories or repair any defects in the cabinets and accessories.

## Continuous Improvement

In keeping with our policy of continuous product refinement, 1951 Cabinetry reserves the right to change specifications in design and materials as conditions require.

## DOOR STYLE COLLECTIONS

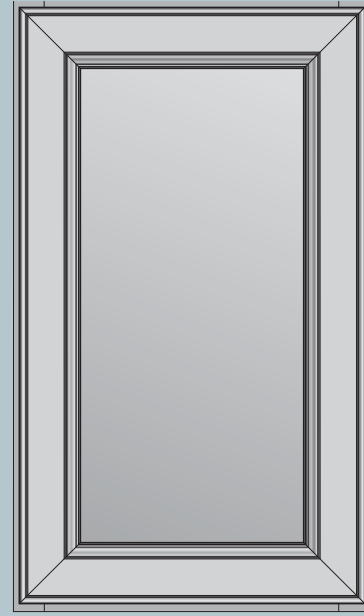


Canyon



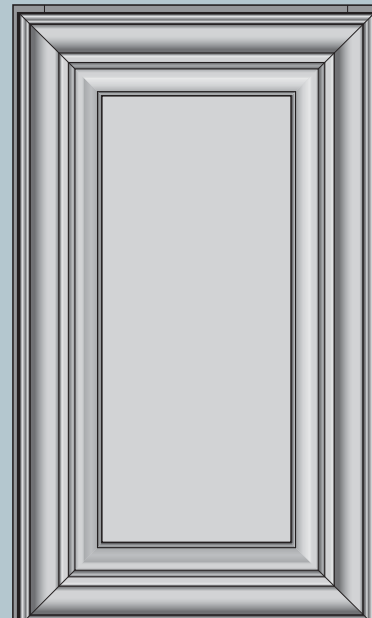
PAGE 12

Durango



PAGE 13

Elderidge



PAGE 14

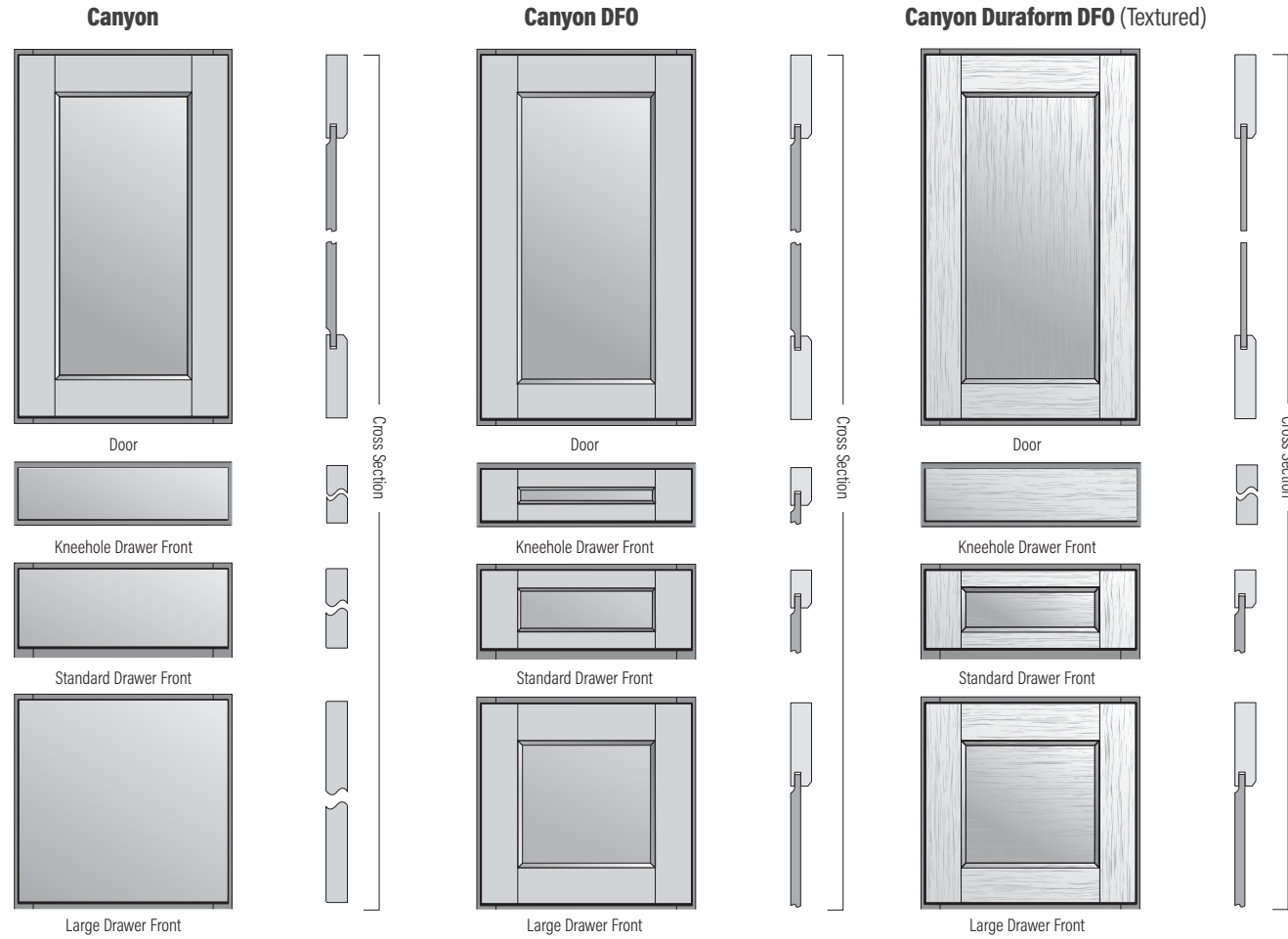
SPECIES/FINISH AVAILABILITY BY COLLECTION

	Canyon	Durango	Elderidge
<b>Finish:</b>			
Cherry Amber	■	■	■
<b>Cherry Clove</b>	■	■	■
Cherry Slate	■	■	■
<b>Maple Almond</b>	■	■	■
Maple Cognac	■	■	■
Maple Latte	■	■	■
Maple Rye	■	■	■
Maple Slate	■	■	■
Maple Truffle	■	■	■
Painted Biscotti Glaze*		■	■
Painted Black*	■	■	■
Painted Boulder*	■	■	■
Painted Ember Glaze*		■	■
Painted Harbor*	■	■	■
Painted Linen*	■	■	■
Painted Mist*	■	■	■
Painted Navy*	■	■	■
Painted Pewter Glaze*		■	■
Painted Sage*	■	■	■
Painted Stone*	■	■	■
Painted Vanilla*	■	■	■
Duraform Breeze	■		
Duraform Drift	■		

\*Premium Finish

# Canyon

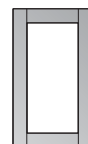
NEW! FINISHES



## Door Style Details

<b>Door Description:</b>	Recessed Panel
<b>Door Rail &amp; Stile Width:</b>	3"
<b>Canyon Drawer Description:</b>	Slab
<b>Canyon DFO Drawer Description:</b>	5-Piece with Recessed Panel
<b>Overlay</b>	Full Overlay (FOL)
<b>Tall Door Details:</b>	Center Rail on 50" High Doors ■
<b>Decorative Hardware:</b>	Required
<b>Duraform Material:</b>	Textured PVC-wrapped
<b>Specialty Doors</b>	OFD (See page 63 for details)

■ Duraform door styles do not have center rails on 50" high doors



OFD

## Available Finishes

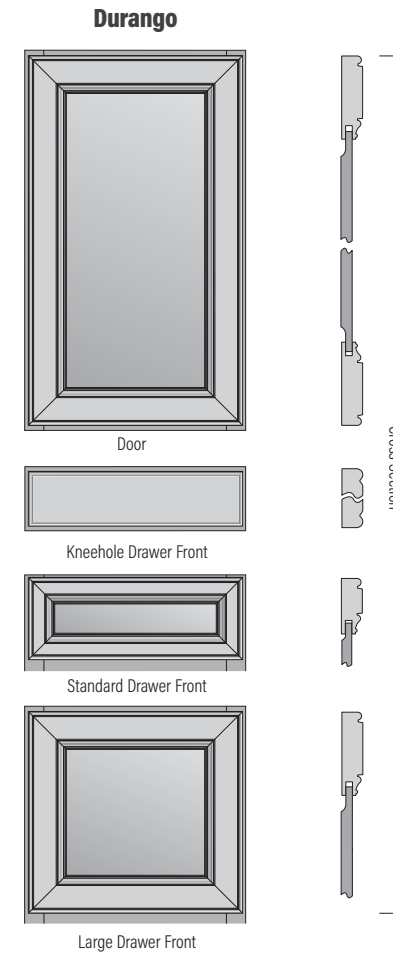
CHERRY	FINISH	CANYON	CANYON DFO	CANYON DURAFORM DFO (TEXTURED)
	Amber	40CFS	42CFS	-
	Clove	40CTS	42CTS	-
	Slate	40CES	42CES	-
MAPLE	FINISH	CANYON	CANYON DFO	CANYON DURAFORM DFO (TEXTURED)
	Almond	40GGS	42GGS	-
	Cognac	40MRS	42MRS	-
	Latte	40GAS	42GAS	-
	Rye	40MTS	42MTS	-
	Slate	40GES	42GES	-
	Truffle	40MBS	42MBS	-
PAINTED	FINISH	CANYON	CANYON DFO	CANYON DURAFORM DFO (TEXTURED)
	Black*	40FDS	42FDS	-
	Boulder*	40MIS	42MIS	-
	Harbor*	40MKS	42MKS	-
	Linen*	40MPS	42MPS	-
	Mist*	40FHS	42FHS	-
	Navy*	40FBS	42FBS	-
	Sage*	40FCS	42FCS	-
	Stone*	40MYS	42MYS	-
	Vanilla*	40FVS	42FVS	-
DURAFORM	FINISH	CANYON	CANYON DFO	CANYON DURAFORM DFO (TEXTURED)
	Breeze (◆ Linen Cabinet Box)	-	-	42EPA
	Drift (◆ Harbor Cabinet Box)	-	-	42EKB

\*Premium finish

◆ Doors, Drawer Fronts and select SKUs ( \_DT) are Textured Duraform. All other finished cabinet and accessory surfaces will be in the indicated box finish above.

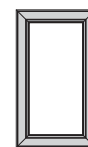
# Durango

NEW! FINISHES



## Door Style Details

<b>Door Description:</b>	Mitered with Recessed Panel
<b>Door Rail &amp; Stile Width:</b>	3"
<b>Drawer Description:</b>	Mitered 5-Piece with Recessed Panel
<b>Overlay</b>	Full Overlay (FOL)
<b>Tall Door Details:</b>	No Center Rail on 50" High Doors
<b>Decorative Hardware:</b>	Required
<b>Specialty Doors</b>	OFD (See page 63 for details)



OFD

## Available Finishes

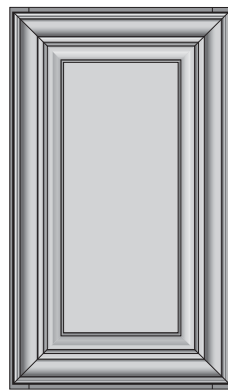
CHERRY	FINISH	DURANGO
	Amber	54CFS
	Clove	54CTS
	Slate	54CES
MAPLE	FINISH	DURANGO
	Almond	54GGS
	Cognac	54MRS
	Latte	54GAS
	Rye	54MTS
	Slate	54GES
	Truffle	54MBS
PAINTED	FINISH	DURANGO
	Biscotti Glaze*	54FVF
	Black*	54FDS
	Boulder*	54MIS
	Ember Glaze*	54MKO
	Harbor*	54MKS
	Linen*	54MPS
	Mist*	54FHS
	Navy*	54FBS
	Pewter Glaze*	54MPQ
	Sage*	54FCS
	Stone*	54MYS
	Vanilla*	54FVS

\*Premium finish

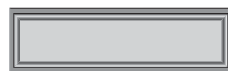
# Elderidge

NEW! FINISHES

## Elderidge



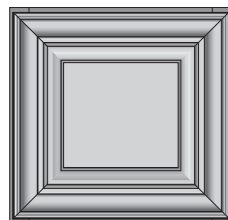
Door



Kneehole Drawer Front



Standard Drawer Front



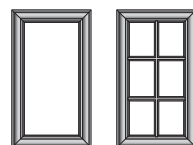
Large Drawer Front



Cross Section

### Door Style Details

<b>Door Description:</b>	Mitered with Raised Panel
<b>Door Rail &amp; Stile Width:</b>	3"
<b>Drawer Description:</b>	Mitered 5-Piece with Raised Panel
<b>Overlay</b>	Full Overlay (FOL)
<b>Tall Door Details:</b>	Center Rail on 50" High Doors
<b>Decorative Hardware:</b>	Required
<b>Specialty Doors</b>	OFD, MFD (See page 63 for details)



OFD MFD

### Available Finishes

CHERRY	FINISH	ELDERIDGE
	Amber	35CFS
	Clove	35CTS
	Slate	35CES
MAPLE	FINISH	ELDERIDGE
	Almond	35GGS
	Cognac	35MRS
	Latte	35GAS
	Rye	35MTS
	Slate	35GES
	Truffle	35MBS
PAINTED	FINISH	ELDERIDGE
	Biscotti Glaze*	35FVF
	Black*	35FDS
	Boulder*	35MIS
	Ember Glaze*	35MKO
	Harbor*	35MKS
	Linen*	35MPS
	Mist*	35FHS
	Navy*	35FBS
	Pewter Glaze*	35MPQ
	Sage*	35FCS
	Stone*	35MYS
	Vanilla*	35FVS

\*Premium finish

### Notes



# Premium Series Collections

DOOR STYLES

NEW! DOOR STYLE

Abilene



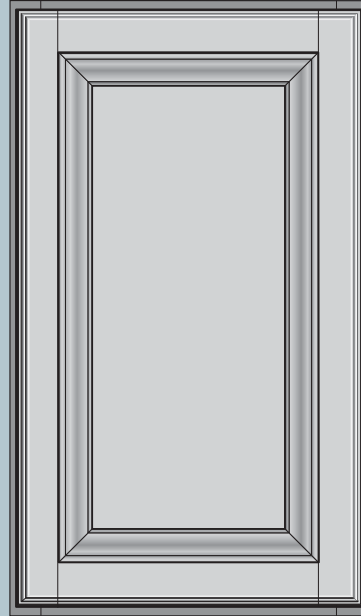
PAGE 18

Belcourt



PAGE 19

Clayton



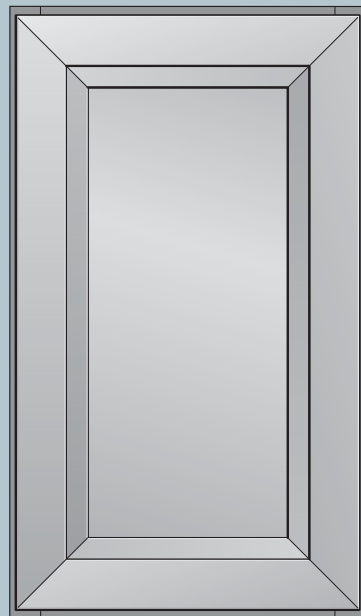
PAGE 20

Lubbock



PAGE 21

Oxridge



PAGE 22

# Premium Series Availability

DOOR STYLES

## SPECIES/FINISH AVAILABILITY BY COLLECTION

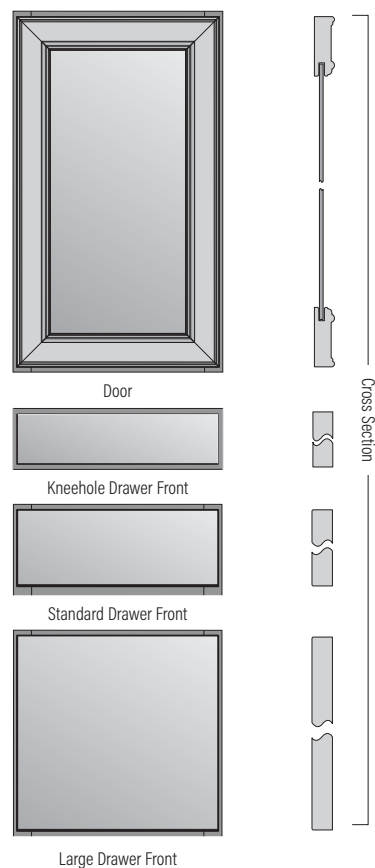
	Abilene	Belcourt	Clayton	Lubbock	Oxridge
<b>Finish:</b>					
Cherry Clove	■	■	■	■	
Cherry Amber	■	■	■	■	
Cherry Slate	■	■	■	■	
<b>Maple Almond</b>	■	■	■	■	■
Maple Cognac	■	■	■	■	■
Maple Latte	■	■	■	■	■
Maple Rye	■	■	■	■	■
Maple Slate	■	■	■	■	■
Maple Truffle	■	■	■	■	■
Painted Biscotti Glaze*	■		■		■
Painted Black*	■	■	■	■	■
Painted Boulder*	■	■	■	■	■
Painted Ember Glaze*	■		■		■
Painted Harbor*	■	■	■	■	■
Painted Linen*	■	■	■	■	■
Painted Mist*	■	■	■	■	■
Painted Navy*	■	■	■	■	■
Painted Pewter Glaze*	■		■		■
Painted Sage*	■	■	■	■	■
Painted Stone*	■	■	■	■	■
Painted Vanilla*	■	■	■	■	■
Duraform Breeze				■	
Duraform Drift				■	
Duraform Espresso	■			■	
Duraform Harbor	■				
Duraform Linen	■				
Duraform Stone	■				

\*Premium Finish

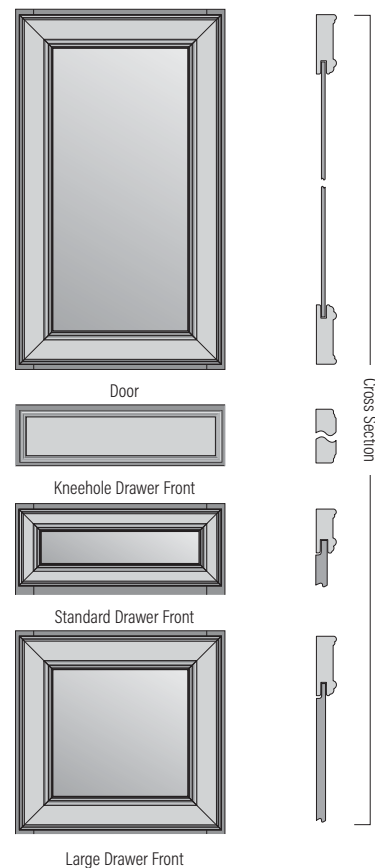
# Abilene

NEW! FINISHES NEW! DOOR STYLE

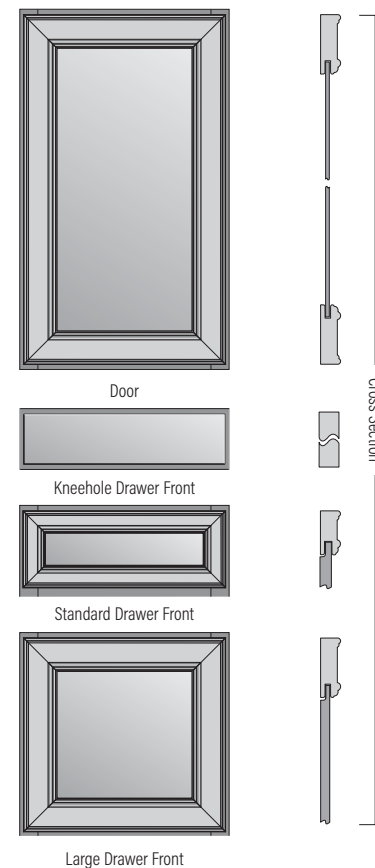
## Abilene/Abilene Duraform



## Abilene DFO



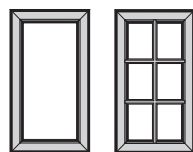
## Abilene Duraform DFO



### Door Style Details

<b>Door Description:</b>	Mitered with Recessed Panel
<b>Door Rail &amp; Stile Width:</b>	2 1/4"
<b>Abilene Drawer Description:</b>	Slab
<b>Abilene DFO Drawer Description:</b>	Mitered 5-Piece with Recessed Panel
<b>Overlay</b>	Full Overlay (FOL)
<b>Tall Door Details:</b>	No Center Rail on 50" High Doors
<b>Decorative Hardware:</b>	Required
<b>Duraform Material:</b>	Polypropylene
<b>Specialty Doors:</b>	OFD, MFD (See page 63 for details)

■ Duraform door styles use the Deep Full Overlay (Shallow) hinge



OFD ▲ MFD

▲ Not available for Duraform

### Available Finishes

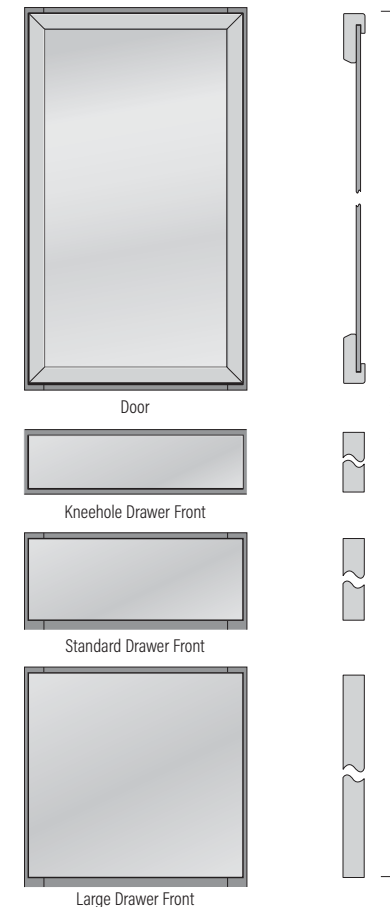
CHERRY	FINISH	ABILENE	ABILENE DFO	ABILENE DURAFORM DFO
	Amber	20CFS	30CFS	-
	Clove	20CTS	30CTS	-
	Slate	20CES	30CES	-
MAPLE	FINISH	ABILENE	ABILENE DFO	ABILENE DURAFORM DFO
	Almond	20GGS	30GGS	-
	Cognac	20MRS	30MRS	-
	Latte	20GAS	30GAS	-
	Rye	20MTS	30MTS	-
	Slate	20GES	30GES	-
	Truffle	20MBS	30MBS	-
PAINTED	FINISH	ABILENE	ABILENE DFO	ABILENE DURAFORM DFO
	Biscotti Glaze*	20FVF	30FVF	-
	Black*	20FDS	30FDS	-
	Boulder*	20MIS	30MIS	-
	Ember Glaze*	20MKO	30MKO	-
	Harbor*	20MKS	30MKS	-
	Linen*	20MPS	30MPS	-
	Mist*	20FHS	30FHS	-
	Navy*	20FBS	30FBS	-
	Pewter Glaze*	20MPQ	30MPQ	-
	Sage*	20FCS	30FCS	-
	Stone*	20MYS	30MYS	-
	Vanilla*	20FVS	30FVS	-
DURAFORM	FINISH	ABILENE DURAFORM	ABILENE DFO	ABILENE DURAFORM DFO
	Espresso	20EJS	-	30EJS
	Harbor	20EKS	-	30EKS
	Linen	20EPS	-	30EPS
	Stone	20EYS	-	30EYS

\*Premium finish

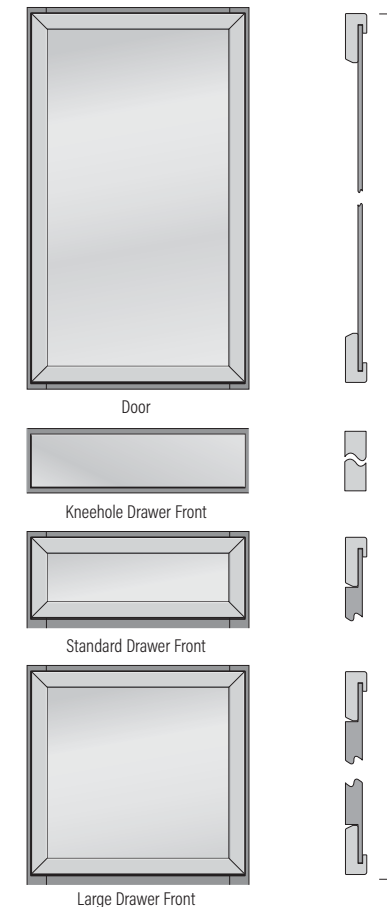
# Belcourt

NEW! DOOR STYLE NEW! FINISHES

## Belcourt



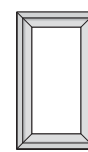
## Belcourt DFO



### Door Style Details

<b>Door Description:</b>	Mitered with Recessed Panel
<b>Door Rail &amp; Stile Width:</b>	3/4"
<b>Belcourt Drawer Description:</b>	Slab
<b>Belcourt DFO Drawer Description:</b>	Mitered 5-Piece with Recessed Panel
<b>Overlay</b>	Full Overlay (FOL)
<b>Tall Door Details:</b>	No Center Rail on 50" High Doors
<b>Decorative Hardware:</b>	Required ■
<b>Specialty Doors:</b>	OFD (See page 63 for details)

■ Cannot drill more than 1 1/2" from all edges of door/drawer front



OFD

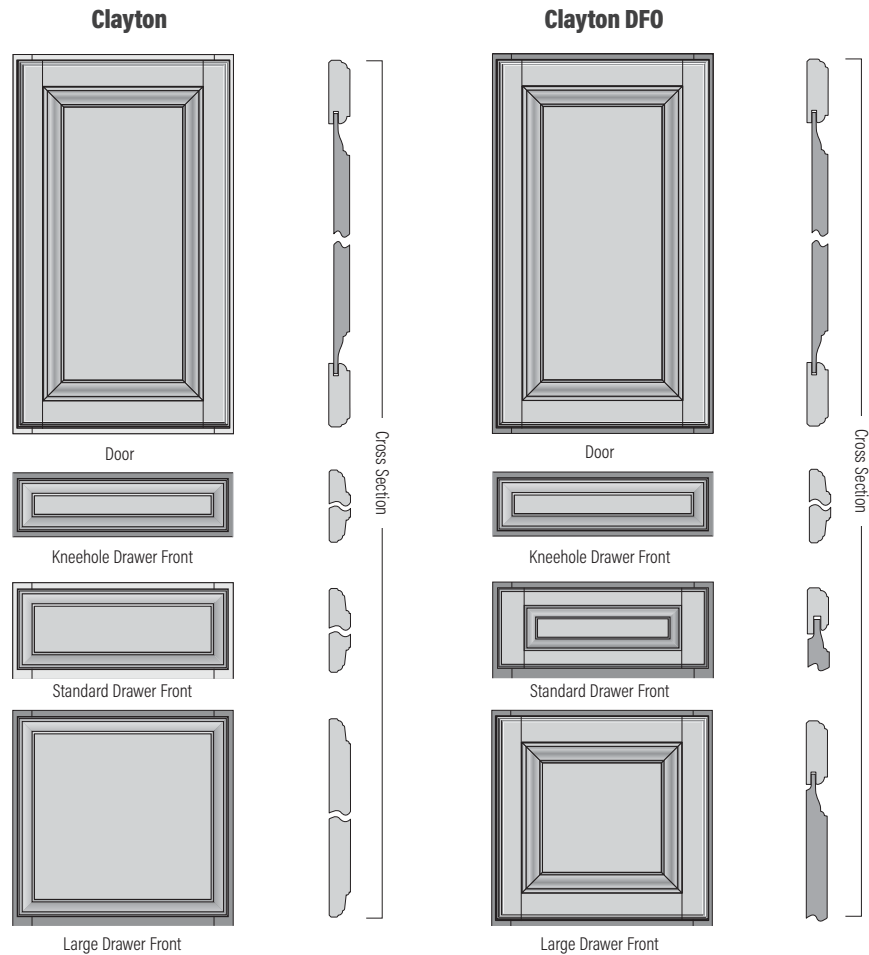
### Available Finishes

CHERRY	FINISH	BELCOURT	BELCOURT DFO
	Amber	78CFS	79CFS
	Clove	78CTS	79CTS
	Slate	78CES	79CES
MAPLE	FINISH	BELCOURT	BELCOURT DFO
	Almond	78GGS	79GGS
	Cognac	78MRS	79MRS
	Latte	78GAS	79GAS
	Rye	78MTS	79MTS
	Slate	78GES	79GES
	Truffle	78MBS	79MBS
PAINTED*	FINISH	BELCOURT	BELCOURT DFO
	Black*	78FDS	79FDS
	Boulder*	78MIS	79MIS
	Harbor*	78MKS	79MKS
	Linen*	78MPS	79MPS
	Mist*	78FHS	79FHS
	Navy*	78FBS	79FBS
	Sage*	78FCS	79FCS
	Stone*	78MYS	79MYS
	Vanilla*	78FVS	79FVS

\*Premium finish

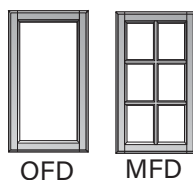
# Clayton

NEW! FINISHES



## Door Style Details

<b>Door Description:</b>	Raised Panel
<b>Door Rail &amp; Stile Width:</b>	2 1/4"
<b>Clayton Drawer Description:</b>	Detailed Slab
<b>Clayton DFO Drawer Description:</b>	5-Piece with Raised Panel
<b>Overlay</b>	Full Overlay (FOL)
<b>Tall Door Details:</b>	Center Rail on 50" High Doors
<b>Decorative Hardware:</b>	Required
<b>Specialty Doors:</b>	OFD, MFD (See page 63 for details)



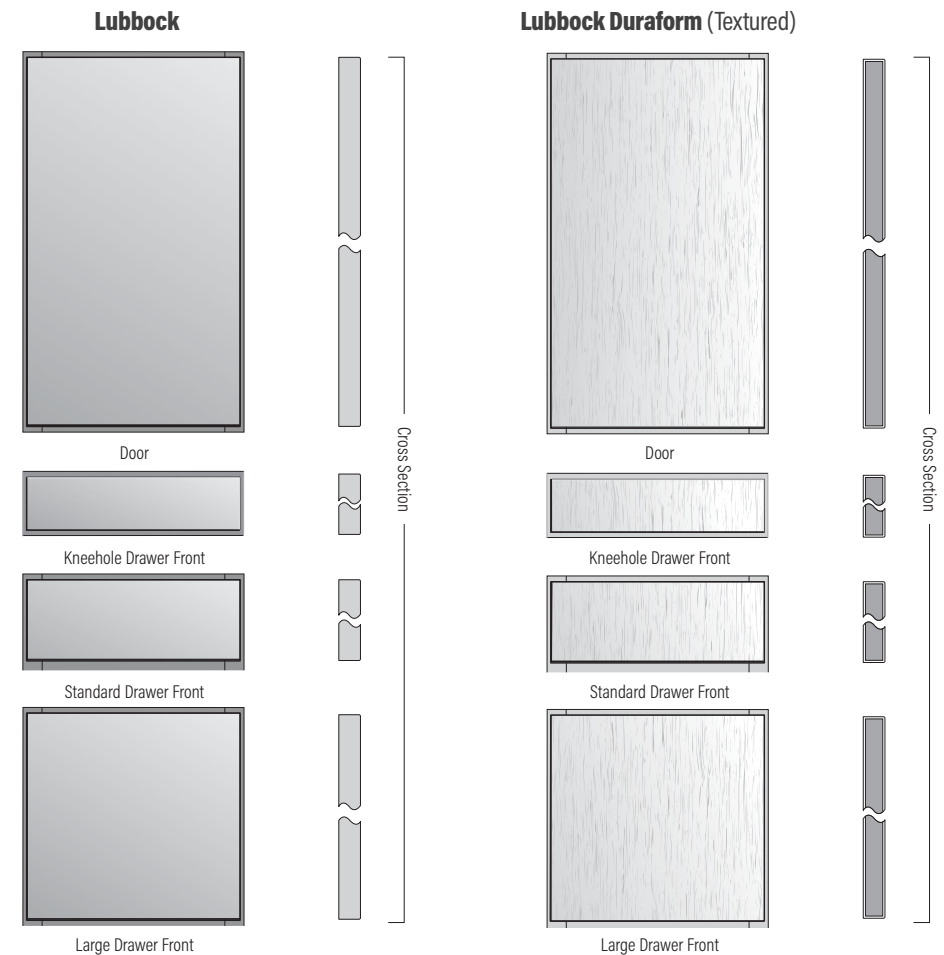
## Available Finishes

CHERRY	FINISH	CLAYTON	CLAYTON DFO
	Amber	44CFS	47CFS
	Clove	44CTS	47CTS
	Slate	44CES	47CES
MAPLE	FINISH	CLAYTON	CLAYTON DFO
	Almond	44GGS	47GGS
	Cognac	44MRS	47MRS
	Latte	44GAS	47GAS
	Rye	44MTS	47MTS
	Slate	44GES	47GES
	Truffle	44MBS	47MBS
PAINTED	FINISH	CLAYTON	CLAYTON DFO
	Biscotti Glaze*	44FVF	47FVF
	Black*	44FDS	47FDS
	Boulder*	44MIS	47MIS
	Ember Glaze*	44MKS	47MKS
	Harbor*	44MPS	47MPS
	Linen*	44MPS	47MPS
	Mist*	44FHS	47FHS
	Navy*	44FBS	47FBS
	Pewter Glaze*	44MPQ	47MPQ
	Sage*	44FCS	47FCS
	Stone*	44MYS	47MYS
	Vanilla*	44FVS	47FVS

\*Premium finish

# Lubbock

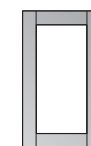
NEW! FINISHES



## Door Style Details

<b>Door Description:</b>	Slab ■
<b>Door Rail &amp; Stile Width:</b>	3" (on OFD doors)
<b>Drawer Description:</b>	Slab ■
<b>Overlay</b>	Full Overlay (FOL)
<b>Tall Door Details:</b>	No Center Rail on 50" High Doors
<b>Espresso Duraform Material:</b>	Polypropylene
<b>Breeze/Drift Duraform Material:</b>	Textured PVC-wrapped
<b>Decorative Hardware:</b>	Required
<b>Specialty Doors:</b>	OFD (See page 63 for details)

■ Stained and Duraform finishes feature edge-banding on all sides



## Available Finishes

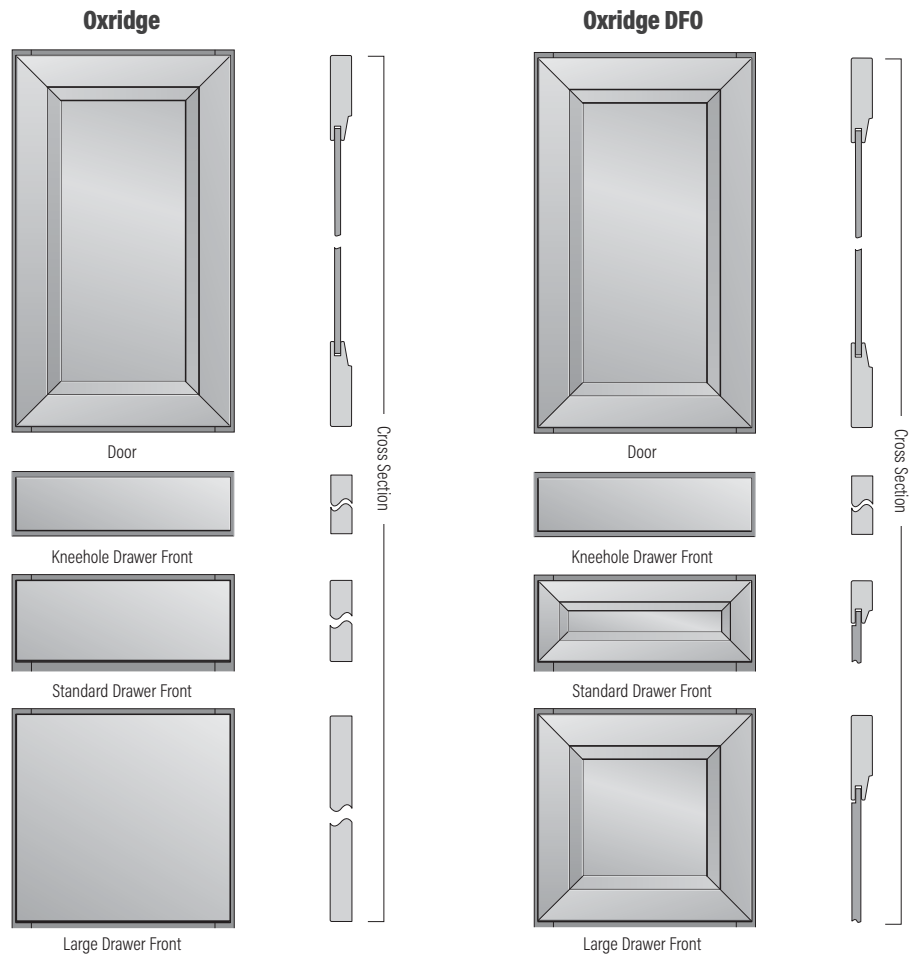
CHERRY	FINISH	LUBBOCK	LUBBOCK DURAFORM (TEXTURED)
	Amber	39CFS	-
	Clove	39CTS	-
	Slate	39CES	-
MAPLE	FINISH	LUBBOCK	LUBBOCK DURAFORM (TEXTURED)
	Almond	39GGS	-
	Cognac	39MRS	-
	Latte	39GAS	-
	Rye	39MTS	-
	Slate	39GES	-
	Truffle	39MBS	-
PAINTED	FINISH	LUBBOCK	LUBBOCK DURAFORM (TEXTURED)
	Black*	39FDS	-
	Boulder*	39MIS	-
	Harbor*	39MKS	-
	Linen*	39MPS	-
	Mist*	39FHS	-
	Navy*	39FBS	-
	Sage*	39FCS	-
	Stone*	39MYS	-
	Vanilla*	39FVS	-
DURAFORM	FINISH	LUBBOCK DURAFORM	LUBBOCK DURAFORM (TEXTURED)
	Espresso	39EJS	-
	Breeze (◆ Linen Cabinet Box)	-	39EPA
	Drift (◆ Harbor Cabinet Box)	-	39EKB

\*Premium finish

◆ Doors, Drawer Fronts and select SKUs (\_\_\_DT) are Textured Duraform. All other finished cabinet and accessory surfaces will be in the indicated box finish above.

# Oxridge

NEW! FINISH



## Notes

### Door Style Details

<b>Door Description:</b>	Mitered with Recessed Panel
<b>Door Rail &amp; Stile Width:</b>	3"
<b>Oxridge Drawer Description:</b>	Slab
<b>Oxridge DFO Drawer Description:</b>	Mitered 5-Piece with Recessed Panel
<b>Overlay</b>	Full Overlay (FOL)
<b>Tall Door Details:</b>	No Center Rail on 50" High Doors
<b>Decorative Hardware:</b>	Required
<b>Specialty Doors:</b>	OFD (See page 63 for details)



OFD

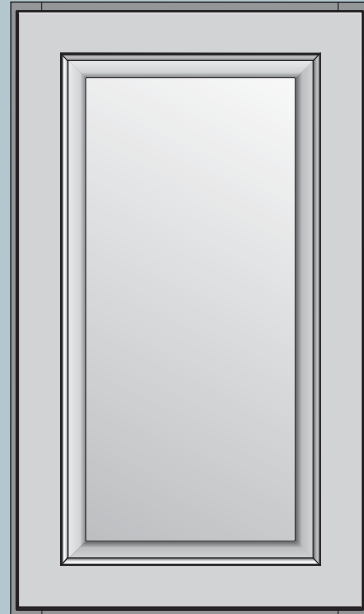
### Available Finishes

MAPLE	FINISH	OXRIDGE	OXRIDGE DFO
	Almond	57GGS	58GGS
	Cognac	57MRS	58MRS
	Latte	57GAS	58GAS
	Rye	57MTS	58MTS
	Slate	57GES	58GES
	Truffle	57MBS	58MBS
PAINTED	FINISH	OXRIDGE	OXRIDGE DFO
	Biscotti Glaze*	57FVF	58FVF
	Black*	57FDS	58FDS
	Boulder*	57MIS	58MIS
	Ember Glaze*	57MKO	58MKO
	Harbor*	57MKS	58MKS
	Linen*	57MPS	58MPS
	Mist*	57FHS	58FHS
	Navy*	57FBS	58FBS
	Pewter Glaze*	57MPQ	58MPQ
	Sage*	57FCS	58FCS
	Stone*	57MYS	58MYS
	Vanilla*	57FVS	58FVS

\*Premium finish



Bandera



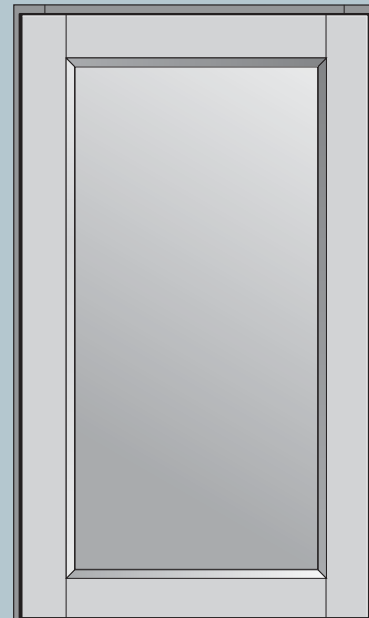
PAGE 26

Cooper



PAGE 27

Denver



PAGE 28

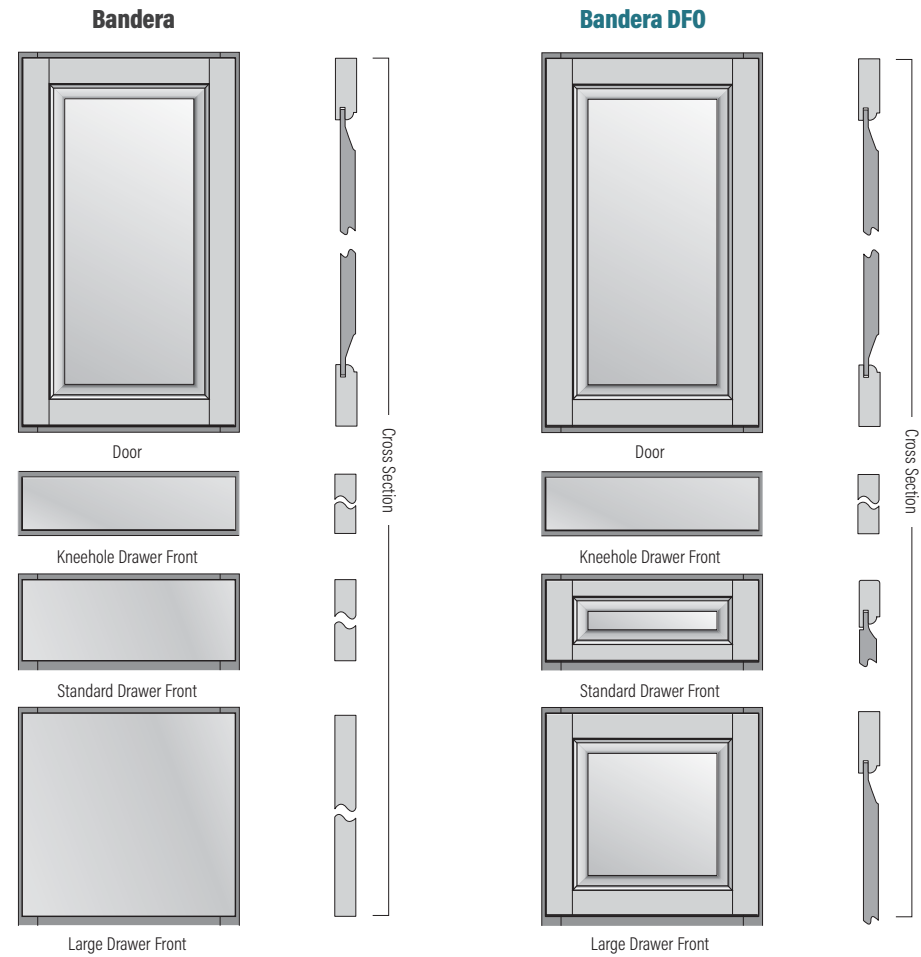
SPECIES/FINISH AVAILABILITY BY COLLECTION

	Bandera	Cooper	Denver
<b>Finish:</b>			
Cherry Clove			■
Cherry Amber			■
Cherry Slate			■
<b>Maple Almond</b>	■	■	■
Maple Cognac	■	■	■
Maple Latte	■	■	■
Maple Rye	■	■	■
Maple Slate	■	■	■
Maple Truffle	■	■	■
Painted Biscotti Glaze*	■	■	
Painted Black*	■	■	■
Painted Boulder*	■	■	■
Painted Ember Glaze*	■	■	
Painted Harbor*	■	■	■
Painted Linen*	■	■	■
Painted Mist*	■	■	■
Painted Navy*	■	■	■
Painted Pewter Glaze*	■	■	
Painted Sage*	■	■	■
Painted Stone*	■	■	■
Painted Vanilla*	■	■	■
Duraform Espresso			■
Duraform Harbor			■
Duraform Linen			■
Duraform Stone			■

\*Premium Finish

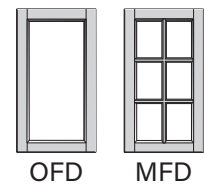
# Bandera

NEW! FINISH NEW! DOOR STYLE



## Door Style Details

<b>Door Description:</b>	Raised Panel
<b>Door Rail &amp; Stile Width:</b>	2 1/4"
<b>Bandera Drawer Description:</b>	Slab
<b>Bandera DFO Drawer Description:</b>	5-Piece with Raised Panel
<b>Overlay</b>	Full Overlay (FOL)
<b>Tall Door Details:</b>	Center Rail on 50" High Doors
<b>Decorative Hardware:</b>	Required
<b>Specialty Doors:</b>	OFD, MFD (See page 63 for details)



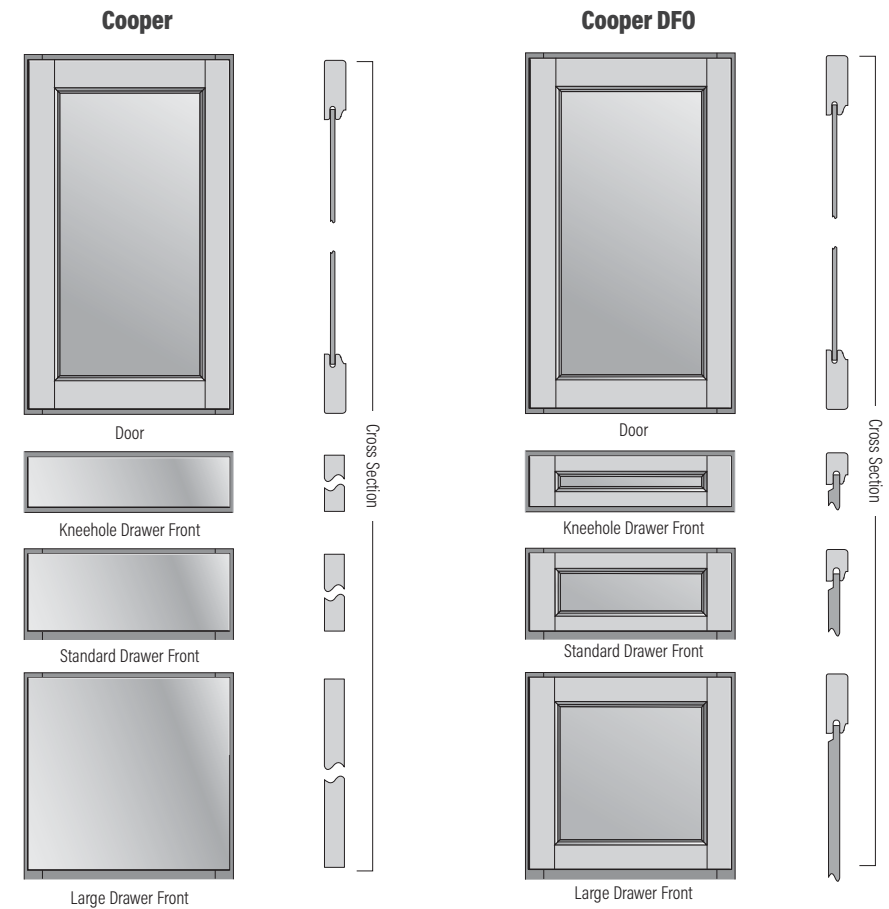
## Available Finishes

MAPLE	FINISH	BANDERA	BANDERA DFO
	Almond	69GGS	70GGS
	Cognac	69MRS	70MRS
	Latte	69GAS	70GAS
	Rye	69MTS	70MTS
	Slate	69GES	70GES
	Truffle	69MBS	70MBS
PAINTED	FINISH	BANDERA	BANDERA DFO
	Biscotti Glaze*	69FVF	70FVF
	Black*	69FDS	70FDS
	Boulder*	69MIS	70MIS
	Ember Glaze*	69MKO	70MKO
	Harbor*	69MKS	70MKS
	Linen*	69MPS	70MPS
	Mist*	69FHS	70FHS
	Navy*	69FBS	70FBS
	Pewter Glaze*	69MPQ	70MPQ
	Sage*	69FCS	70FCS
	Stone*	69MYS	70MYS
	Vanilla*	69FVS	70FVS

\*Premium finish

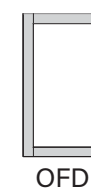
# Cooper

NEW! FINISH



## Door Style Details

<b>Door Description:</b>	Recessed Panel
<b>Door Rail &amp; Stile Width:</b>	2 1/4"
<b>Cooper Drawer Description:</b>	Slab
<b>Cooper DFO Drawer Description:</b>	5-Piece with Recessed Panel
<b>Overlay</b>	Full Overlay (FOL)
<b>Tall Door Details:</b>	Center Rail on 50" High Doors
<b>Decorative Hardware:</b>	Required
<b>Specialty Doors:</b>	OFD (See page 63 for details)



## Available Finishes

MAPLE	FINISH	COOPER	COOPER DFO
	Almond	74GGS	75GGS
	Cognac	74MRS	75MRS
	Latte	74GAS	75GAS
	Rye	74MTS	75MTS
	Slate	74GES	75GES
	Truffle	74MBS	75MBS
PAINTED	FINISH	COOPER	COOPER DFO
	Biscotti Glaze*	74FVF	75FVF
	Black*	74FDS	75FDS
	Boulder*	74MIS	75MIS
	Ember Glaze*	74MKO	75MKO
	Harbor*	74MKS	75MKS
	Linen*	74MPS	75MPS
	Mist*	74FHS	75FHS
	Navy*	74FBS	75FBS
	Pewter Glaze*	74MPQ	75MPQ
	Sage*	74FCS	75FCS
	Stone*	74MYS	75MYS
	Vanilla*	74FVS	75FVS

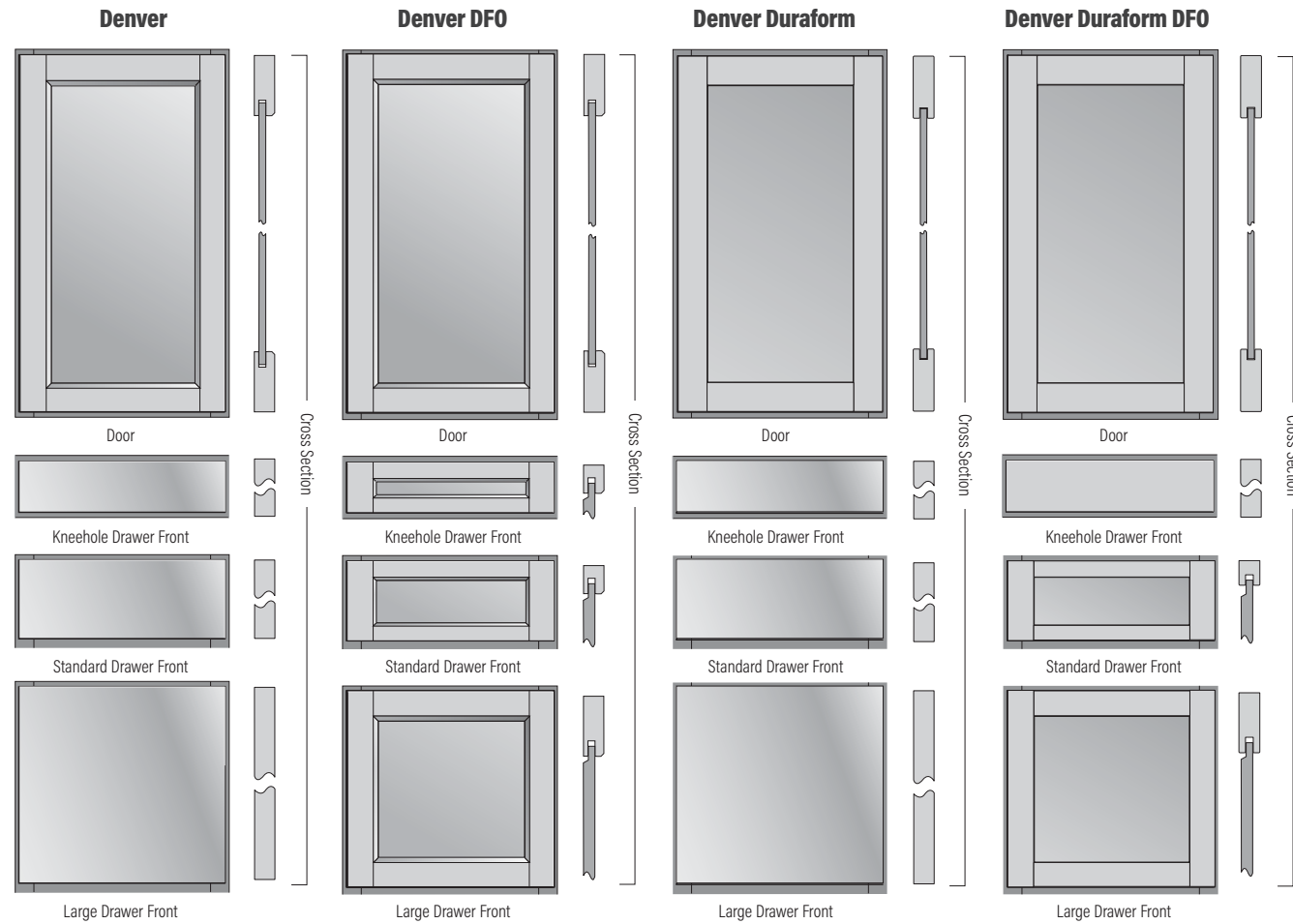
\*Premium finish

# Denver

NEW! FINISHES

DOOR STYLES

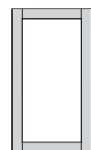
DOOR STYLES



## Door Style Details

<b>Door Description:</b>	Recessed Panel
<b>Door Rail &amp; Stile Width:</b>	2 1/4"
<b>Denver Drawer Description:</b>	Slab
<b>Denver DFO Drawer Description:</b>	5-Piece with Recessed Panel
<b>Overlay</b>	Full Overlay (FOL)
<b>Tall Door Details:</b>	Center Rail on 50" High Doors ■
<b>Decorative Hardware:</b>	Required
<b>Duraform Material:</b>	Polypropylene
<b>Specialty Doors:</b>	OFD (See page 63 for details)

■ Duraform door styles do not have center rails on 50" high doors



OFD

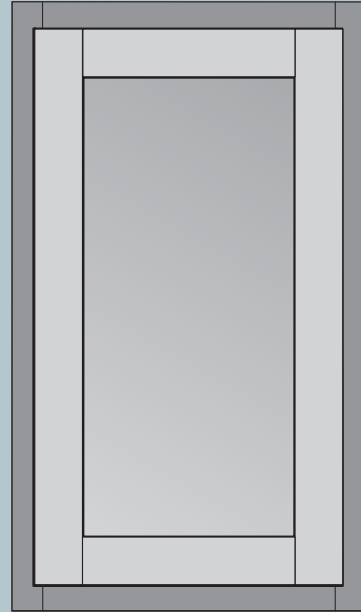
## Available Finishes

CHERRY	FINISH	DENVER	DENVER DFO	DENVER DURAFORM	DENVER DURAFORM DFO
	Amber	28CFS	29CFS	-	-
	Clove	28CTS	29CTS	-	-
	Slate	28CES	29CES	-	-
MAPLE	FINISH	DENVER	DENVER DFO	DENVER DURAFORM	DENVER DURAFORM DFO
	Almond	28GGS	29GGS	-	-
	Cognac	28MRS	29MRS	-	-
	Latte	28GAS	29GAS	-	-
	Rye	28MTS	29MTS	-	-
	Slate	28GES	29GES	-	-
	Truffle	28MBS	29MBS	-	-
PAINTED	FINISH	DENVER	DENVER DFO	DENVER DURAFORM	DENVER DURAFORM DFO
	Black*	28FDS	29FDS	-	-
	Boulder*	28MIS	29MIS	-	-
	Harbor*	28MKS	29MKS	-	-
	Linen*	28MPS	29MPS	-	-
	Mist*	28FHS	29FHS	-	-
	Navy*	28FBS	29FBS	-	-
	Sage*	28FCS	29FCS	-	-
	Stone*	28MYS	29MYS	-	-
	Vanilla*	28FVS	29FVS	-	-
DURAFORM	FINISH	DENVER	DENVER DFO	DENVER DURAFORM	DENVER DURAFORM DFO
	Espresso	-	-	28EJS	29EJS
	Harbor	-	-	28EKS	29EKS
	Linen	-	-	28EPS	29EPS
	Stone	-	-	28EYS	29EYS

\*Premium finish

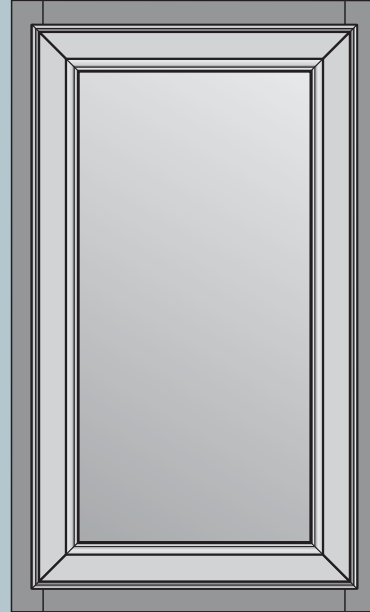
## Notes

Barren



PAGE 32

Carson



PAGE 33

SPECIES/FINISH AVAILABILITY BY COLLECTION

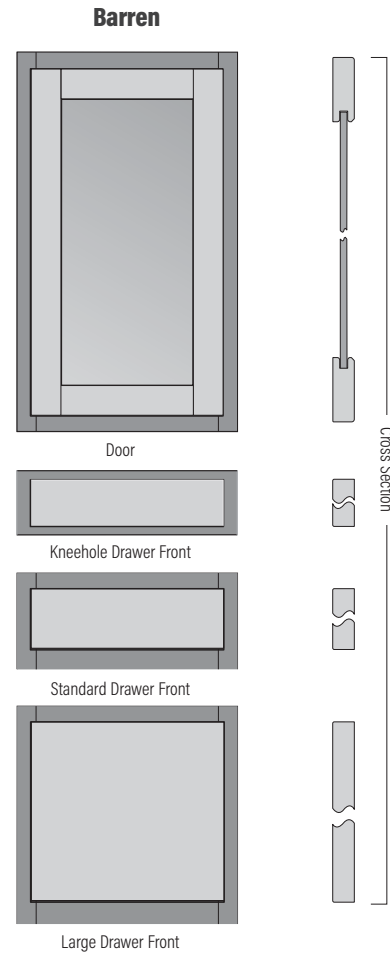
	Barren	Carson
<b>Finish:</b>		
Maple Almond	■	
Maple Cognac	■	
Maple Latte	■	
Maple Rye	■	
Maple Slate	■	
Maple Truffle	■	
Painted Black*	■	
Painted Boulder*	■	
Painted Harbor*	■	
Painted Linen*	■	
Painted Mist*	■	
Painted Navy*	■	
Painted Sage*	■	
Painted Stone*	■	
Painted Vanilla*	■	
Duraform Espresso	■	■
Duraform Harbor	■	■
Duraform Linen	■	■
Duraform Stone	■	■

\*Premium Finish



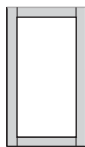
# Barren

NEW! FINISH



## Door Style Details

<b>Door Description:</b>	Recessed Panel
<b>Door Rail &amp; Stile Width:</b>	2 1/4"
<b>Drawer Description:</b>	Slab
<b>Overlay</b>	Partial Overlay (POL)
<b>Tall Door Details:</b>	No Center Rail on 50" High Doors
<b>Decorative Hardware:</b>	Recommended
<b>Specialty Doors:</b>	OFD (See page 63 for details)



OFD

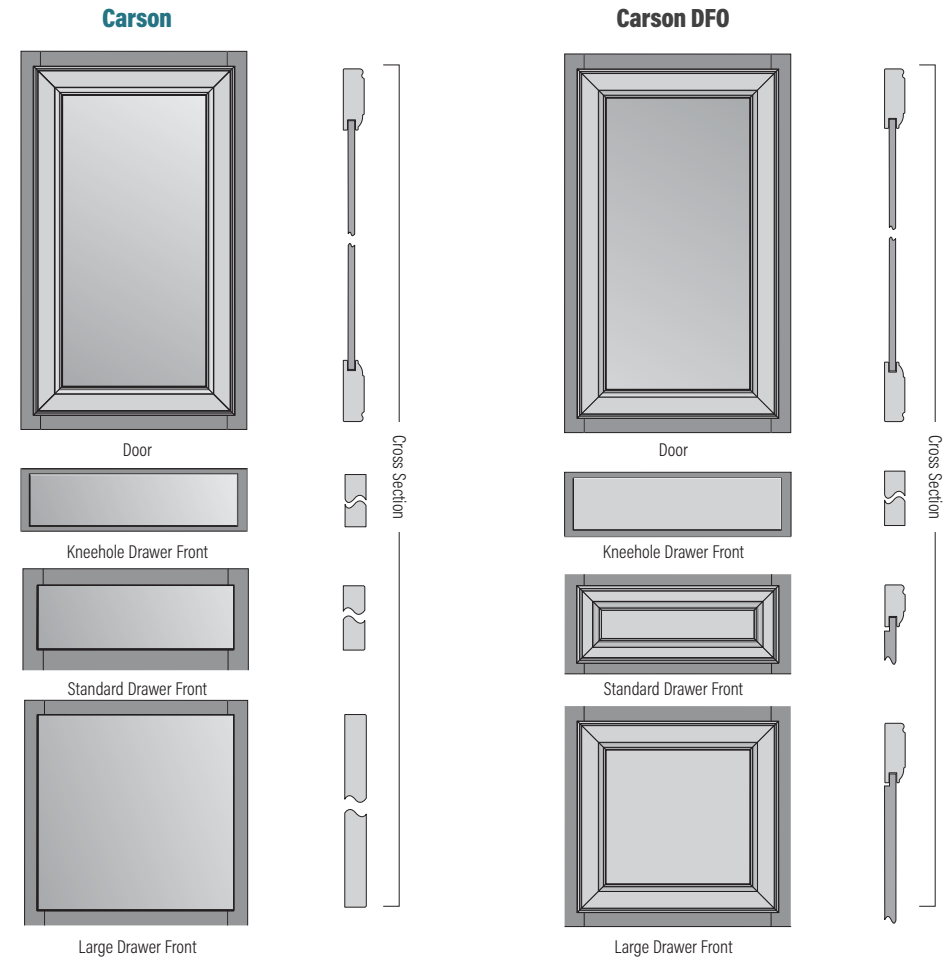
## Available Finishes

MAPLE	FINISH	BARREN
	Almond	19GGS
	Cognac	19MRS
	Latte	19GAS
	Rye	19MTS
	Slate	19GES
	Truffle	19MBS
PAINTED	FINISH	BARREN
	Black*	19FDS
	Boulder*	19MIS
	Harbor*	19MKS
	Linen*	19MPS
	Mist*	19FHS
	Navy*	19FBS
	Sage*	19FCS
	Stone*	19MYS
	Vanilla*	19FVS
DURAFORM	FINISH	BARREN
	Espresso	19EJS
	Harbor	19EKS
	Linen	19EPS
	Stone	19EYS

\*Premium finish

# Carson

NEW! DOOR STYLE



## Door Style Details

<b>Door Description:</b>	Mitered with Recessed Panel
<b>Door Rail &amp; Stile Width:</b>	2 1/4"
<b>Carson Drawer Description:</b>	Slab
<b>Carson DFO Drawer Description:</b>	5-Piece with Recessed Panel
<b>Overlay</b>	Partial Overlay (POL)
<b>Tall Door Details:</b>	No Center Rail on 50" High Doors
<b>Decorative Hardware:</b>	Recommended
<b>Specialty Doors:</b>	OFD (See page 63 for details)

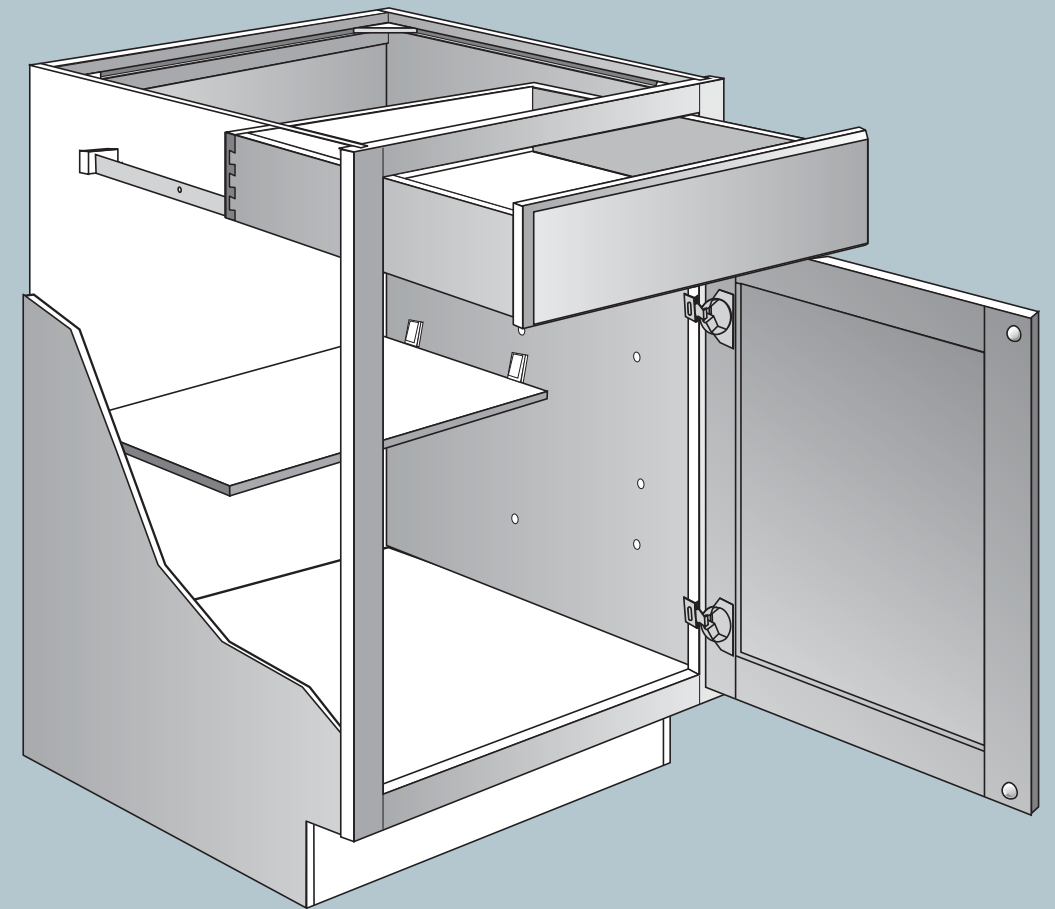


OFD

## Available Finishes

DURAFORM	FINISH	CARSON	CARSON DFO
	Espresso	08EJS	18EJS
	Harbor	08EKS	18EKS
	Linen	08EPS	18EPS
	Stone	08EYS	18EYS

# STANDARD CABINET SPECIFICATIONS



## KCMA Certified

All cabinetry manufactured by 1951 Cabinetry is certified by the Kitchen Cabinet Manufacturers Association (KCMA).

KCMA sets the American National Standards Institute/ KCMA 161.1- 2000 uniform performance and construction standards for kitchen and vanity cabinets. The program is referenced by U.S. government agencies, architects, builders, remodelers, and other specifiers.

Cabinets that bear the KCMA seal of certification are recognized as a quality product with the ability to perform after a rigorous battery of tests, simulating years of typical household use. Tests are performed by approved third-party independent laboratories.

1951 Cabinetry is proud to display the KCMA seal of certification for cabinet construction.



## Environmentally Responsible Stewardship

As a leading U.S. manufacturer of fine cabinetry, 1951 Cabinetry, a division of American Woodmark Corporation, is committed to conducting business in a manner that both protects the environment and safeguards public health and safety. To achieve this end, the company proactively identifies potential environmental risks and monitors compliance with appropriate federal, state, local, and internal standards.

1951 Cabinetry has received certification by the Kitchen Cabinet Manufacturers Association (KCMA) Environmental Stewardship Program on all products. The certification was awarded based on compliance across a broad range of activity including air quality, product resource management, process resource management, environmental stewardship, and community relations.

1951 Cabinetry works with all suppliers to encourage sustainable forestry practices. Particle board and plywood are purchased from suppliers that meet the Composite Panel Association requirements for Environmentally Preferable Products including formaldehyde emissions that comply with ANSI standards.

1951 Cabinetry uses leading edge technologies to limit both hazardous and non-hazardous emissions, byproducts, and waste. Ongoing, formal programs identify opportunities for recycling and reusing materials. When waste ultimately requires disposal, steps are taken to minimize the environmental impact.

The American Woodmark Foundation supports local programs serving the community, including activities focused on maintaining the quality of life.

1951 Cabinetry is dedicated to doing our part in the preservation and sustainability of the environment.



## Standard Cabinet Specifications

### Cabinet Front Face Frames

Cabinet front face frames are made from ¾" x 1½" kiln-dried solid wood and/or engineered materials to prevent warping and provide superior strength, durability and finished appearance. Face frame joints are precision fixtured, pressure fitted and mechanically fastened.

### Cabinet Side Panels

Cabinet side panels are ½" thick engineered wood. The exterior sides match cabinet finish and interior sides are finished with a natural woodgrain look. They are captured into a grooved front face frame and secured using high-strength fasteners and glue.

### Cabinet Tops, Bottoms, and Floors

Tops, bottoms, and floors are ½" thick engineered wood. The exterior and interiors are finished with a natural woodgrain look. They are fitted and glued into the cabinet front face frame grooves, then captured in the grooves of the cabinet side panels.

### Cabinet Back

The cabinet back is made from ⅛" thick hardboard substrate. The inside cabinet surface is finished with a natural woodgrain look.

### Hanging Rails

The base and vanity top hanging rail is ¾" thick solid wood, mortise and tenon joined, and glued to the cabinet side panels. The wall cabinet hanging rails are ½" thick engineered wood, glued and pinned into the cabinet back, cabinet side panels and top/bottom.

### Cabinet Shelves

All cabinet shelves are ¾" thick engineered wood. The shelves are finished with a natural woodgrain look and are edge banded on one side. Wall (excluding 24" deep) and Desk cabinets feature full-depth shelves. Base and 24" Deep Wall cabinet feature half-depth shelves. All shelves are adjustable and meet KCMA load standards of 15 pounds per square foot. Full-Depth Shelf Option is available for Base cabinets.

### Corner Blocks

Corner blocks are attached to help ensure cabinet squareness and allow for proper countertop installation.

### Drawer Systems

Engineered wood drawers with printed MDF bottoms and side-mounted drawer glides. All drawers meet KCMA load standards of 15 pounds per square foot. CushionClose Full-Extension Dovetail Drawer Option is available.

### Sliding Shelves

Sliding shelves feature printed MDF bottoms and side-mounted drawer glides. All drawers meet KCMA load standards of 15 pounds per square foot. CushionClose Full-Extension Dovetail Sliding Shelf Option is available.

### Hinges

Fully concealed, self-closing hidden hinges are standard for all door styles. CushionClose Hinge Option is available.

### Inset Toe Kick

Inset toe kicks are constructed of ½" thick unfinished engineered wood. Standard toe kick dimensions are 4" high and recessed 3½".

**BTK8 or BTK8 DT (matching toe kick) required for installation.**

## Continuous Improvement

In keeping with our policy of continuous product refinement, 1951 Cabinetry reserves the right to change specifications in design and materials as conditions require.

## Finishing Systems and Cabinet Care

### Finishing Systems

The finishing systems used on our products are designed to ensure the beauty and durability of our cabinetry. State-of-the-art equipment allows precise sanding, filling, and finish coverage of each of our products.

### Environmentally Responsible Finishing

Our panel finishing system uses only water-based paints and fillers, yielding neither hazardous waste nor water contamination. Our acrylic and urethane materials are 100% solids, dried using high intensity lights, yielding no atmospheric emissions. Our products are extremely resistant to stains and surface damage that can be caused by common household chemicals. Our products exceed KCMA and ANSI standards for resistance to stains like coffee, grape juice, and moisture.

### Cabinet Care

Remove dust from cabinets frequently with a soft lint-free cloth. The cloth may be slightly dampened with water. Do not use a paste wax type material. Wax build-up is difficult to remove and will leave a residue that attracts dust and moisture. Polishes containing silicon should not be used. Clean spills immediately. Use a clean cloth and mild soap if necessary. Wipe dry with a clean soft cloth. Do not use detergents, citrus cleaners or ammonia-based cleaners, chlorine-based cleaners, steel wool, soap pads, or abrasive cleaners on cabinets.

Extra care should be taken that cabinet finishes are not exposed to heat in excess of 200° Fahrenheit. Do not place or mount small appliances beneath wall cabinets. These appliances (such as coffee makers and toasters) can produce excessive heat, which can damage the finish of cabinets. Do not expose doors or drawer fronts to heat created from self-cleaning ovens or ranges. For more cabinet care information, please visit [www.1951cabinetry.com/about/resource-center](http://www.1951cabinetry.com/about/resource-center).

### Allow Cabinets To Age Beautifully

Our cabinets showcase the careful selection of natural and engineered materials to achieve the best possible look. While every effort is made to match wood grain as closely as possible, no two pieces of wood are exactly alike, even from the same tree. These differences in natural color and grain mean that each piece will respond differently to the finishing materials used. For example, close-grained woods absorb less and will vary in color from more open-grained pieces from the very same tree. It's these variations that contribute to the beauty and distinction of quality wood products. However, exposure to sunlight, smoke, and chemicals may cause some materials to fade or vary from their original color over time.

Cabinets, doors, drawer fronts, and accessories added at a later date may not exactly match cabinets installed now. For the same reasons, door samples or displays may not represent the exact color of cabinets received at the time of shipment. Consumers should also read all cleaning agent instructions carefully before application.

Due to changes that occur from natural and environmental factors a cabinet is exposed to over its lifetime, we cannot be responsible for variations that occur in the finish of natural and engineered materials as they age.

## Door Species & Characteristics

1951 Cabinetry incorporates solid hardwoods and hardwood veneers. These are natural materials with inherent variations. As such, our quality standards establish tolerance ranges for matching the hardwood pieces. Consumers should review actual samples in our selection centers and cabinet displays to help them establish realistic expectations of variations involving wood grain, color tones, presence of knots, and so forth.

These variations are at the heart of the unique natural beauty of finished hardwood. In addition, exposure of wood products to sunlight, some chemical agents, and smoke can cause wood colors to change over time.

### Cherry

Cherry is a close-grained, multicolored hardwood with occasional pin knots and fine grain variations appearing as curls and waves. Natural characteristics of Cherry include:

- Small sap pockets, pin knots, and streaks
- Color ranges from pale yellow sapwood to deep reddish brown heartwood, with occasional shades of white, green, pink, or even grey
- Staining reveals subtle variations and colors that typically darken over time
- Variations within a single door

### Duraform

Duraform uses highly-technological manufacturing processes to bond foils, vinyl films, and coatings to medium density fiberboard (MDF), high density fiberboard (HDF), and similar materials to achieve a product with exceptional stability, consistency and durability. Duraform door styles feature wrapped doors and drawer fronts. All other cabinet and accessory surfaces are painted to complement the selected Duraform finish, unless otherwise noted.

- The finish, color, and texture are consistent throughout the surface
- The surface is highly durable and easy to clean
- Materials are resistant to humidity and fading
- Refer to page 37 for standard cabinet box construction

### Maple

Maple is an exceptionally hard, finely grained wood species with a fine, even texture. Darker stains will moderate the color variance, lighter stains mellow with golden hues over time. Natural characteristics of Maple include:

- Light blonde tones to dark reddish brown tones
- Small mineral streaks of light blonde or reddish brown that darken with stain
- Wavy, curly bird's-eye, or burl graining as well as worm tracking across the grain that will darken when stained
- Variations within a single door

### Painted

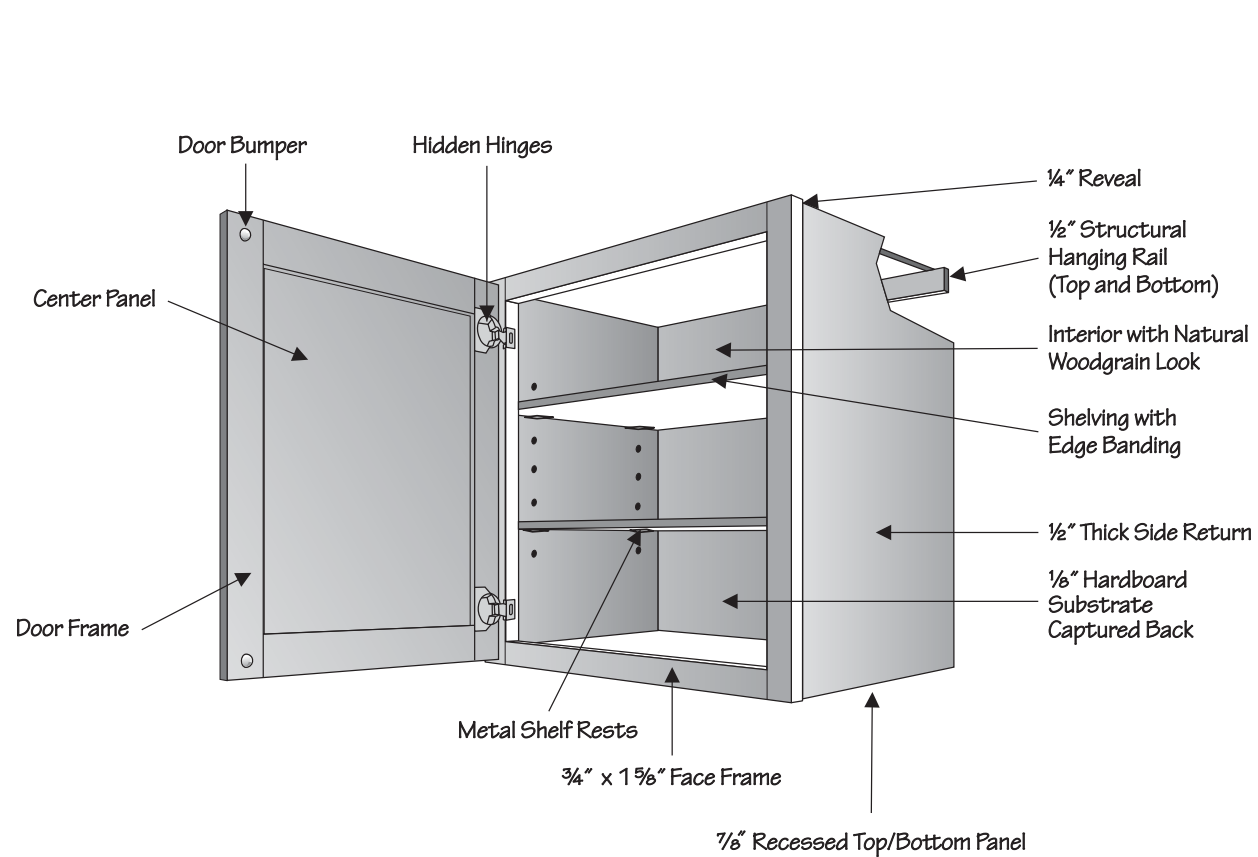
Painted finishes combine hardwoods and engineered materials including solid wood, medium density fiberboard (MDF), high density fiberboard (HDF), and similar materials to achieve a product with superior stability, consistency, coverage, and durability. Painted door features include:

- Visible joint lines may appear due to the natural expansion and contraction of wood
- A natural aging process that may change the tone of paint colors over time



## Wall Cabinet Construction

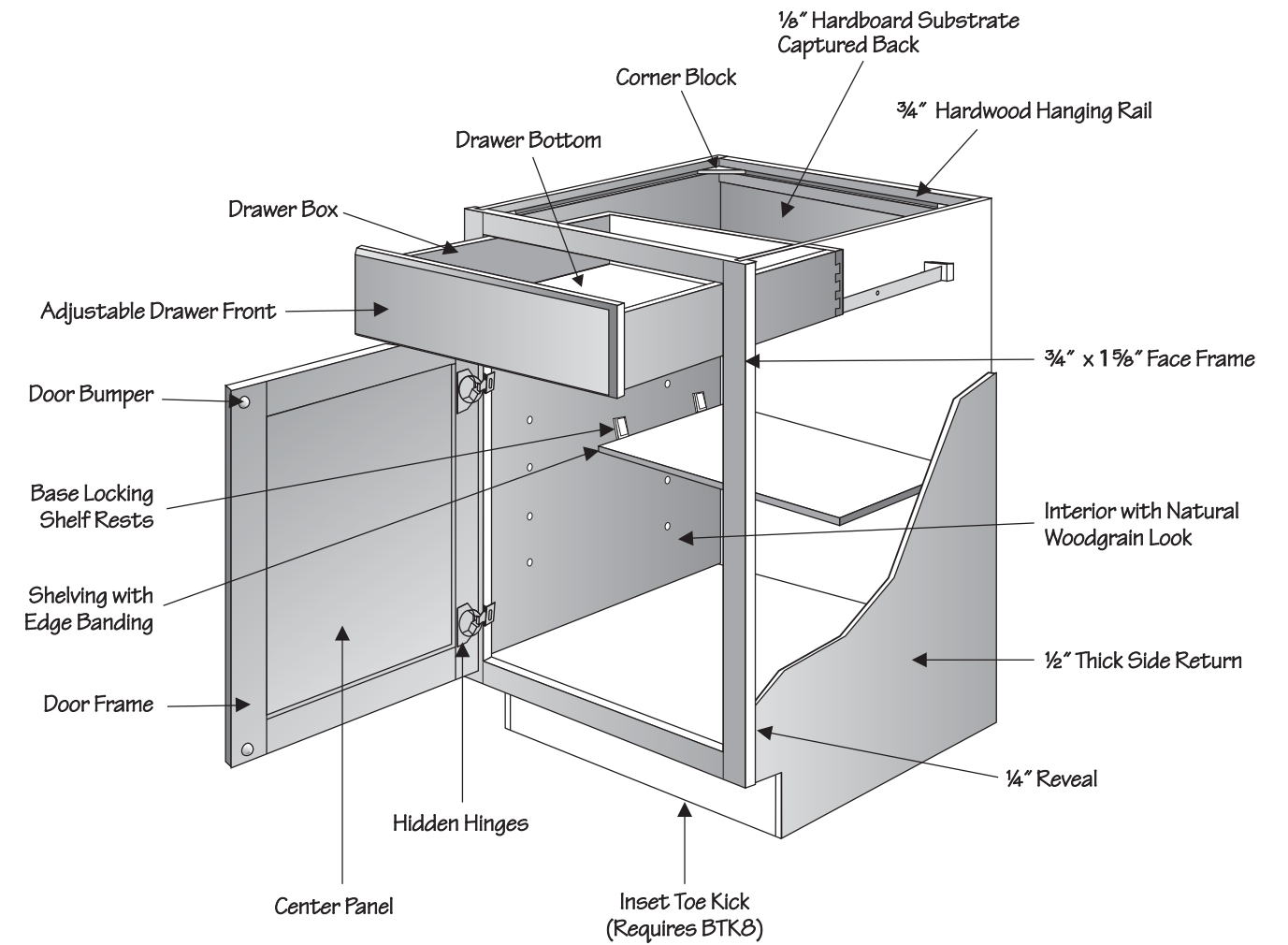
The drawing below illustrates and identifies the parts of a standard wall cabinet.



**NOTE:** Single door wall cabinets must be ordered hinged left or right and can be reversed in the field.

## Base Cabinet Construction

The drawing below illustrates and identifies the parts of a standard base cabinet.

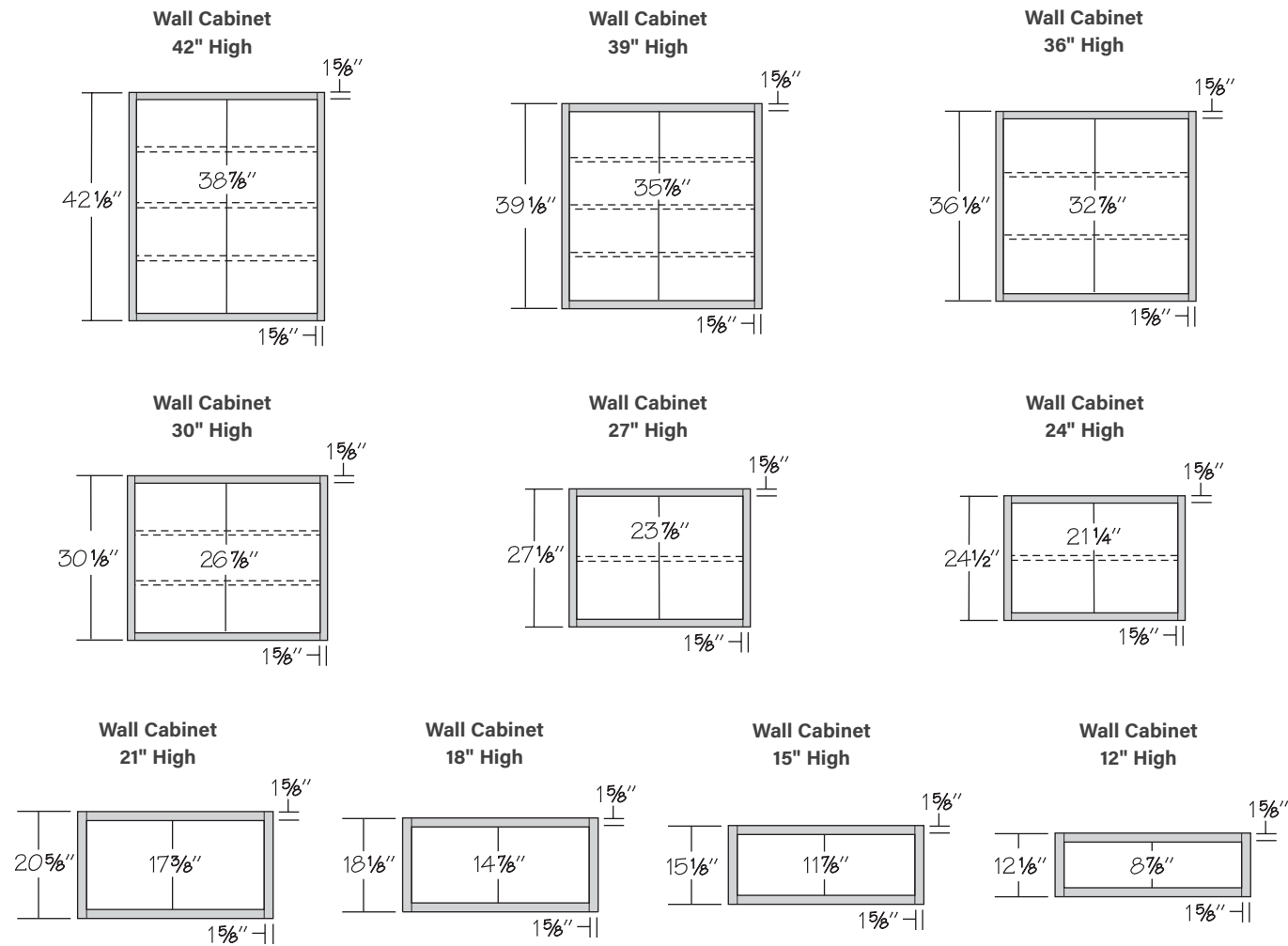


**NOTE:** Single door base cabinets are hinged left and can be reversed in the field.

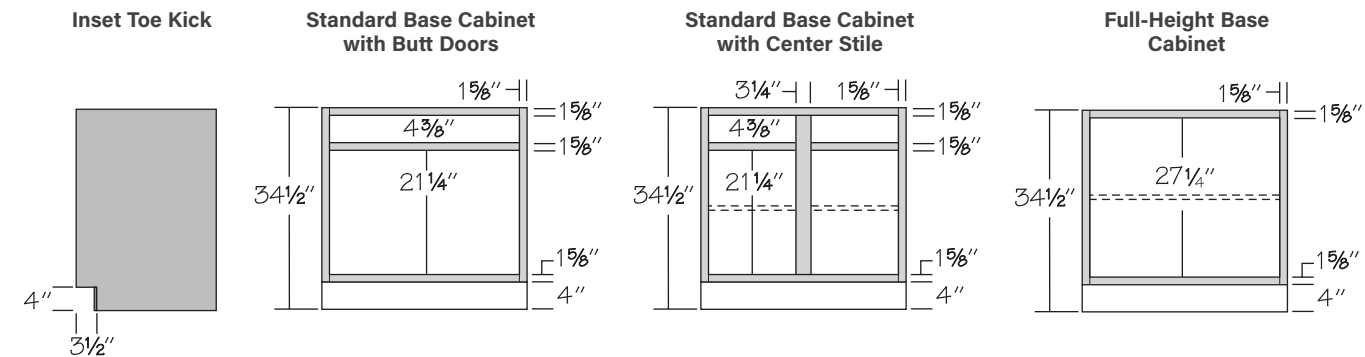
# Cabinet Dimensions

These illustrations specify dimensions of vertical stiles and horizontal rails, inset toe kick, cabinet heights, and standard interior opening heights. Wall Top Hinge and all Butt door cabinets do not have a center stile. Wall cabinets 39" or wider will feature a 3 1/4" center stile.

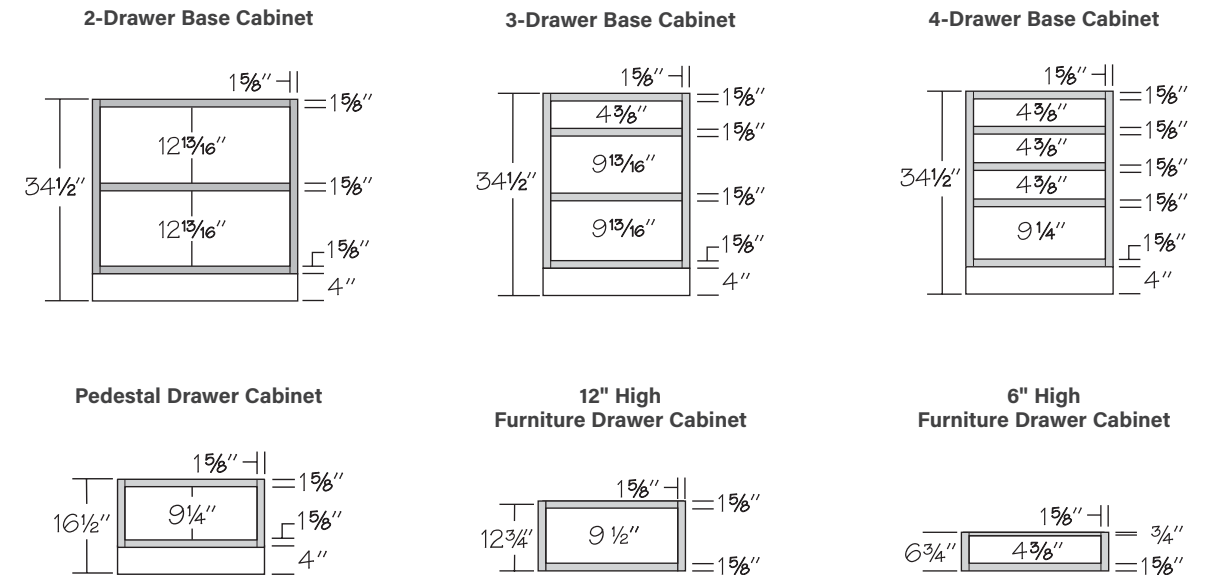
## Wall Cabinets



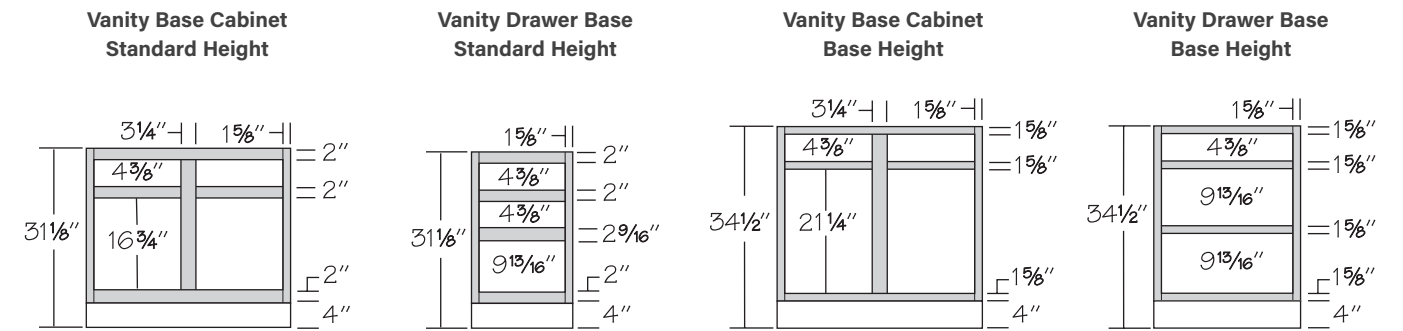
## Base Cabinets



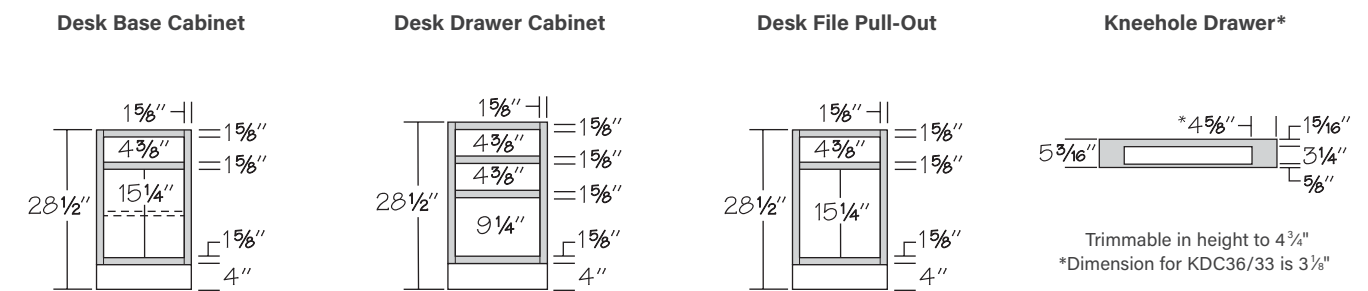
## Drawer Base Cabinets



## Vanity Cabinets



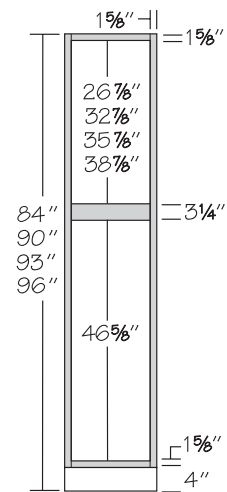
## Desk Cabinets



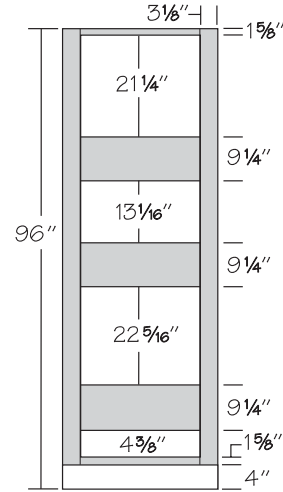
# Tall Cabinets

STANDARD SPECS

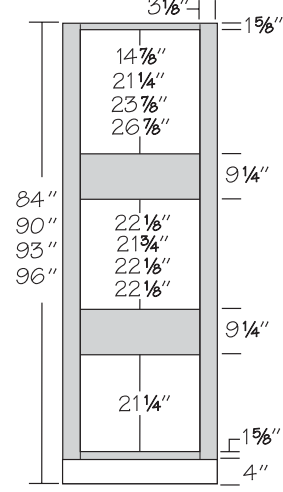
Vanity Linen & Utility Cabinets



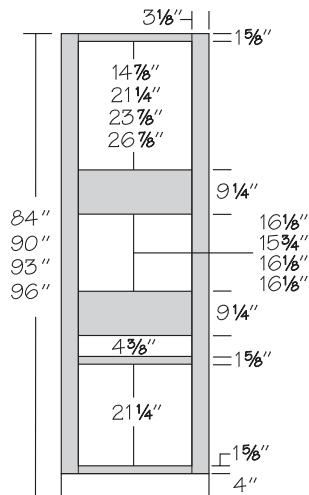
Oven Microwave Cabinet\*



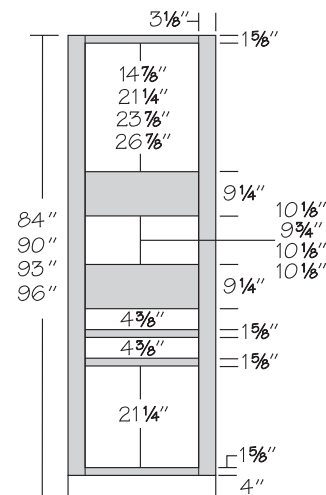
Single Oven Cabinet  
4 Butt Doors\*



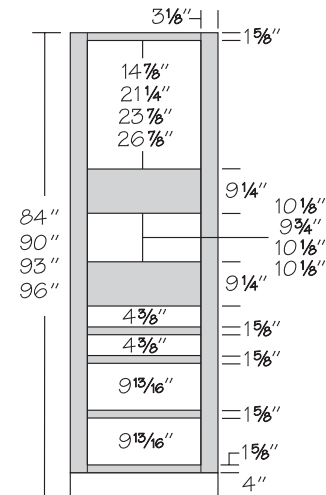
Single Oven Cabinet  
4 Butt Doors, 1 Drawer\*



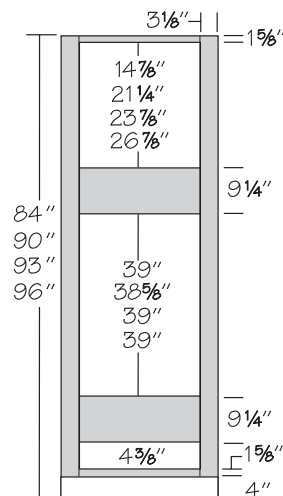
Single Oven Cabinet  
4 Butt Doors, 2 Drawers\*



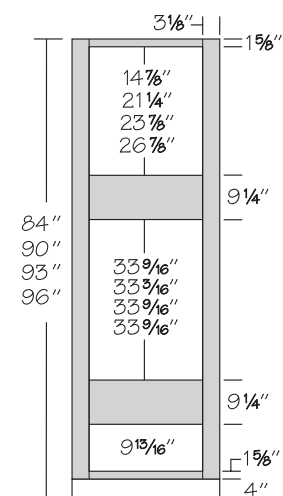
Single Oven Cabinet  
2 Butt Doors, 4 Drawers\*



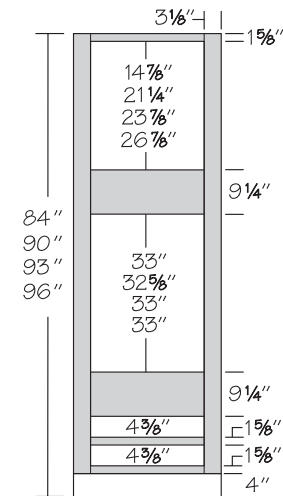
Double Oven Cabinet  
1 Drawer\*



Double Oven Cabinet  
1 Large Drawer\*

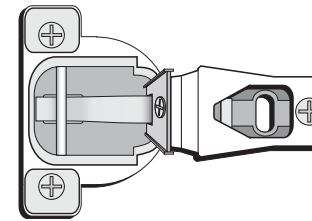


Double Oven Cabinet  
2 Drawers\*



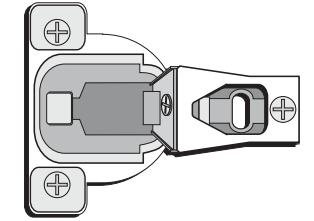
\*Actual height of oven opening shown. For actual width, maximum width and maximum height dimensions, please refer to Cut Out Dimensions Chart in specific cabinet SKU box.

## 6-Way Adjustable Full Overlay Door Hinge



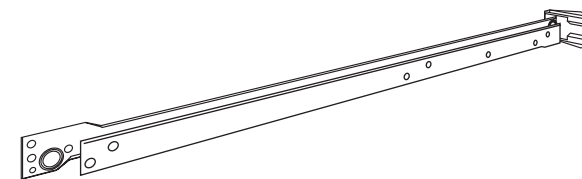
All steel construction with nickel-plated finish, Full Overlay hinge with self-closing feature that allows door to close unassisted when approximately 20–30 degrees open. Hinges permit doors to open to approximately 105 degrees. Six-way adjustability allows in/out, up/down, and side-to-side adjustments. Exceeds industry standard for durability. Standard feature on all Full Overlay (FOL) door styles. Hinge restrictors are available to order separately to limit doors to opening more than 86 degrees.

## 6-Way Adjustable Partial Overlay Door Hinge



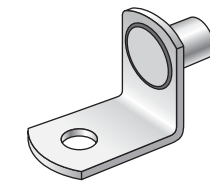
All steel construction with nickel-plated finish, Partial Overlay hinge with self-closing feature that allows door to close unassisted when approximately 20–30 degrees open. Hinges permit doors to open to approximately 105 degrees. Six-way adjustability allows in/out, up/down, and side-to-side adjustments. Exceeds industry standard for durability. Standard feature on all Partial Overlay (POL) door styles. Hinge restrictors are available to order separately to limit doors to opening more than 86 degrees.

## Side-Mounted Drawer Glides



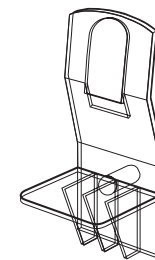
This glide system features twin self-aligning side-mounted drawer glides. They are constructed of epoxy coated steel for quiet opening and closing. Rollers are made of Delrin for smooth operation. The side-mounted glides are a standard feature on all cabinet drawers and on all sliding shelves.

## Metal Shelf Rest



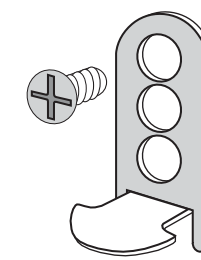
1/4" steel, nickel plated. Standard feature on all wall cabinets, bookshelves and Open Frame Door cabinets.

## Base Locking Shelf Rest



Locks shelves in place and prevents shelves from sliding. Designed to allow easy shelf removal. Molded from clear high-strength polycarbonate. Standard feature on all base and tall cabinets.

## Mullion Shelf Rest



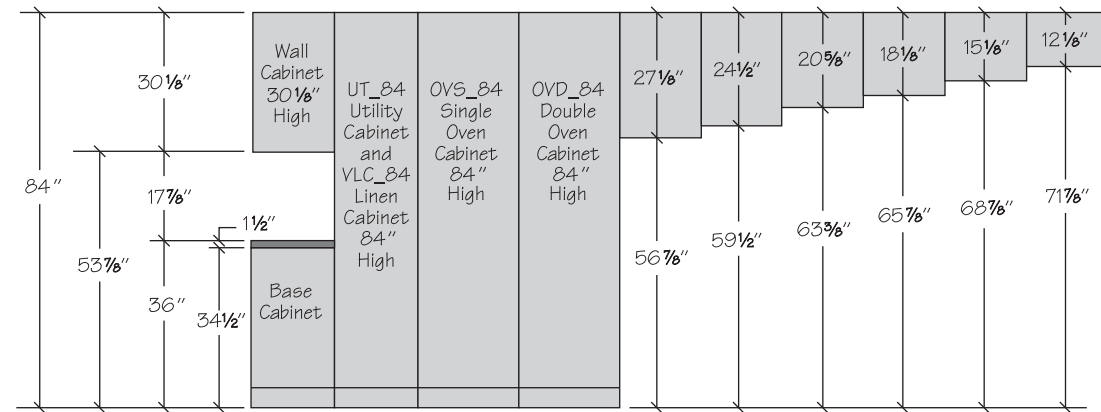
Allows for superior alignment of shelf with mullion. Metal construction. Six position adjustable. Standard feature on Mullion Frame Door cabinets.

STANDARD SPECS

## Installation Height Guidelines

These illustrations specify dimensions of the height guidelines for top alignment of wall and tall cabinets (linen, utility, and oven) installation.

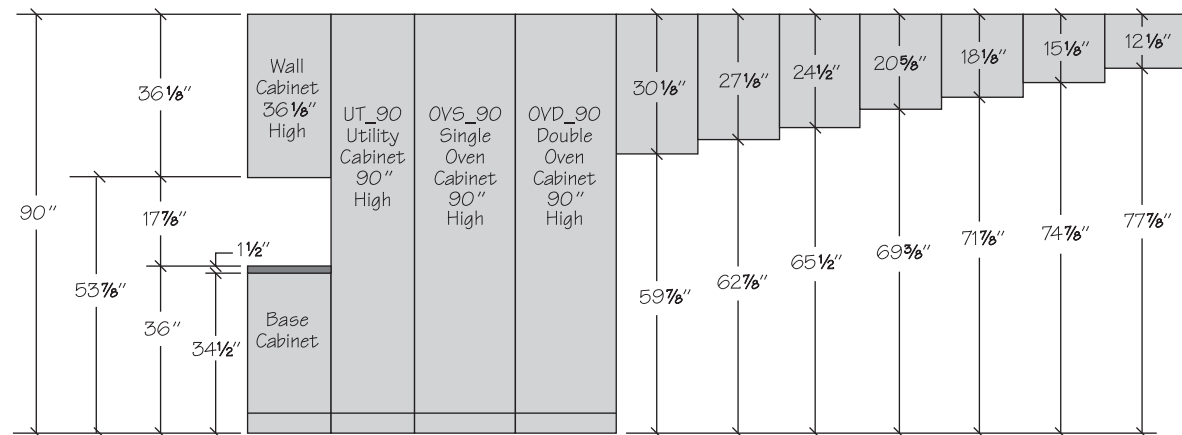
### 84" Top Alignment Cabinet Installation



#### Notes:

- 84" top alignment cabinet installation includes wall cabinets (30<sup>1</sup>/<sub>8</sub>" high) installed 53<sup>7</sup>/<sub>8</sub>" above the finished floor, allowing 17<sup>7</sup>/<sub>8</sub>" clearance between the wall cabinets and a standard countertop height of 36"
- Tall cabinetry (linen, utility, and oven) is 84" high
- **When selecting cabinetry for installation above or near any appliance, refer to the appliance manufacturer's specifications for clearance and venting requirements**

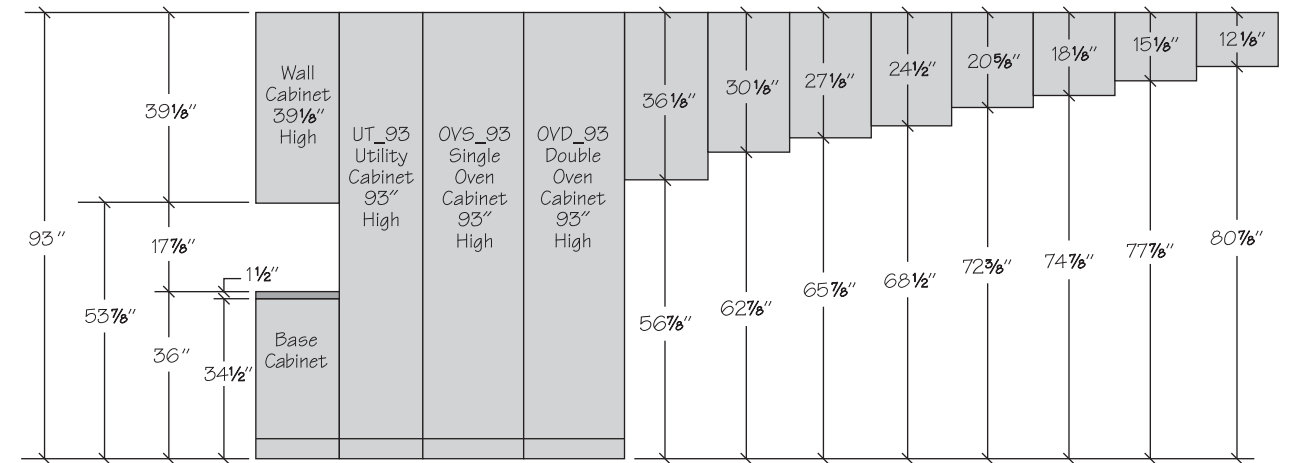
### 90" Top Alignment Cabinet Installation



#### Notes:

- 90" top alignment cabinet installation includes wall cabinets (36<sup>1</sup>/<sub>8</sub>" high) installed 53<sup>7</sup>/<sub>8</sub>" above the finished floor, allowing 17<sup>7</sup>/<sub>8</sub>" clearance between the wall cabinets and a standard countertop height of 36"
- Tall cabinetry (utility and oven) is 90" high
- **When selecting cabinetry for installation above or near any appliance, refer to the appliance manufacturer's specifications for clearance and venting requirements**

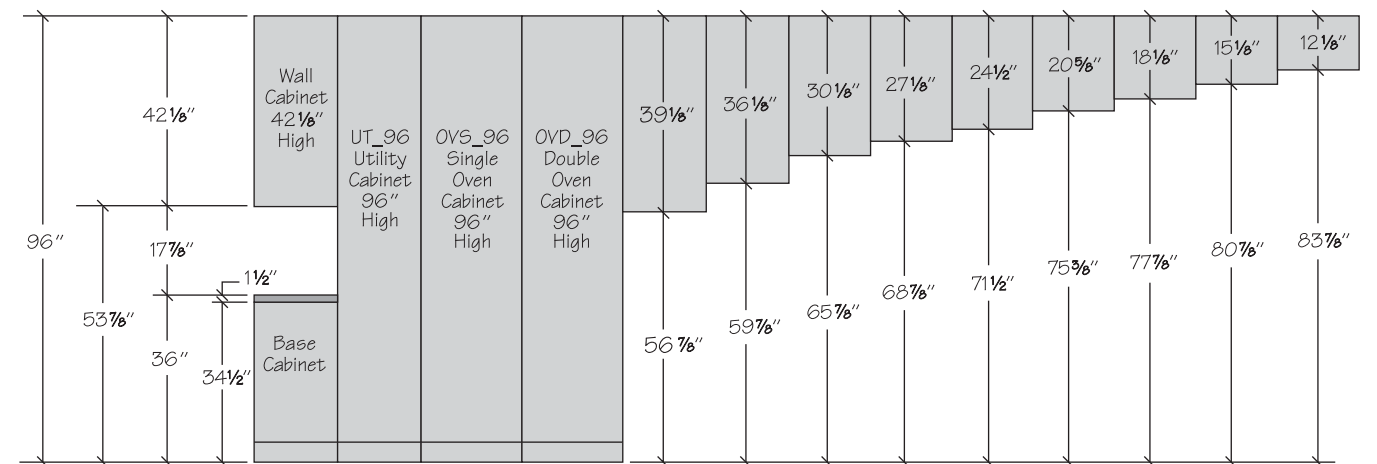
### 93" Top Alignment Cabinet Installation



#### Notes:

- 93" top alignment cabinet installation includes wall cabinets (39<sup>1</sup>/<sub>8</sub>" high) installed 53<sup>7</sup>/<sub>8</sub>" above the finished floor, allowing 17<sup>7</sup>/<sub>8</sub>" clearance between the wall cabinets and a standard countertop height of 36"
- Tall cabinetry (utility and oven) is 93" high
- **When selecting cabinetry for installation above or near any appliance, refer to the appliance manufacturer's specifications for clearance and venting requirements**

### 96" Top Alignment Cabinet Installation



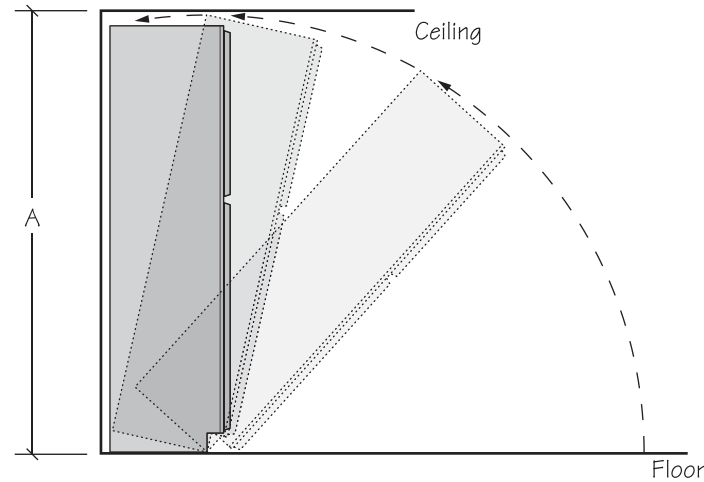
#### Notes:

- 96" top alignment cabinet installation includes wall cabinets (42<sup>1</sup>/<sub>8</sub>" high) installed 53<sup>7</sup>/<sub>8</sub>" above the finished floor, allowing 17<sup>7</sup>/<sub>8</sub>" clearance between the wall cabinets and a standard countertop height of 36"
- Tall cabinetry (utility and oven) is 96" high
- **When selecting cabinetry for installation above or near any appliance, refer to the appliance manufacturer's specifications for clearance and venting requirements**

# Ceiling Height Requirements

This illustration specifies the ceiling height requirements for tall cabinets (linen, utility, and oven).

## Requirements for Tall Cabinets



Height	Cabinet Depth	Minimum Ceiling Height A
84"	12"	84 <sup>9</sup> / <sub>16</sub> "
84"	18"	85 <sup>1</sup> / <sub>4</sub> "
84"	20 <sup>3</sup> / <sub>4</sub> "	85 <sup>13</sup> / <sub>16</sub> "
84"	24"	86 <sup>1</sup> / <sub>2</sub> "
90"	12"	90 <sup>1</sup> / <sub>2</sub> "
90"	18"	91 <sup>5</sup> / <sub>16</sub> "
90"	24"	92 <sup>5</sup> / <sub>16</sub> "
93"	12"	93"
93"	18"	93"
93"	24"	93"
96"	12"	96"
96"	18"	96"
96"	24"	96"

### Notes:

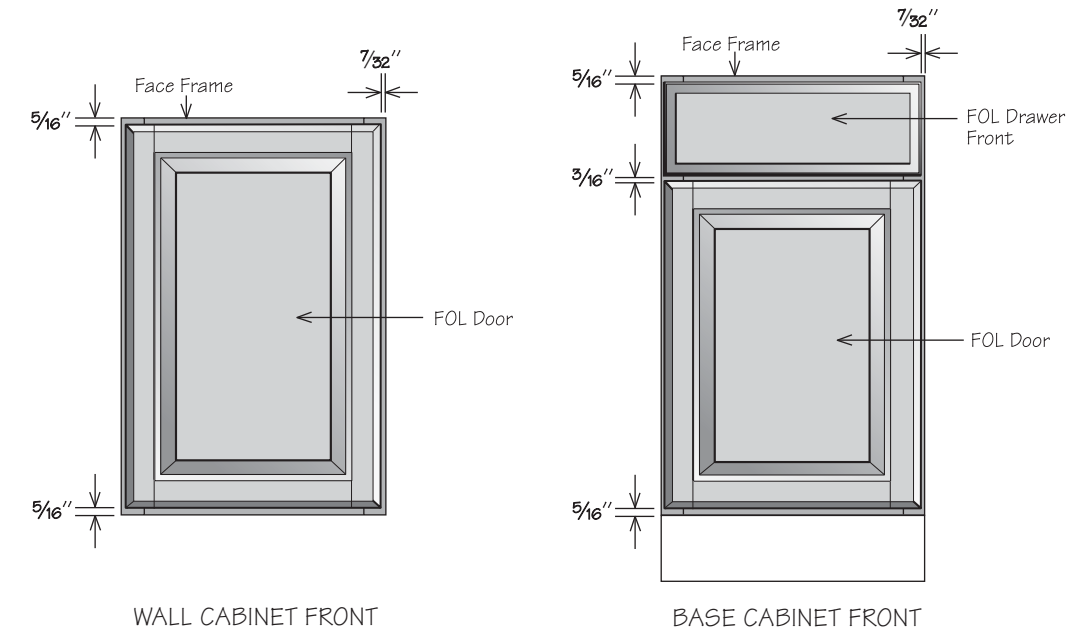
- 93" and 96" high tall cabinets have 4" toe kick assembly shipped inside the cabinet

# Overlay Dimensions

The drawings shown below illustrate the relationship between the cabinet face frame and Partial Overlay (POL) and Full Overlay (FOL) doors. They show the amount of the cabinet face frame that is visible when Partial Overlay doors or Full Overlay doors are selected.

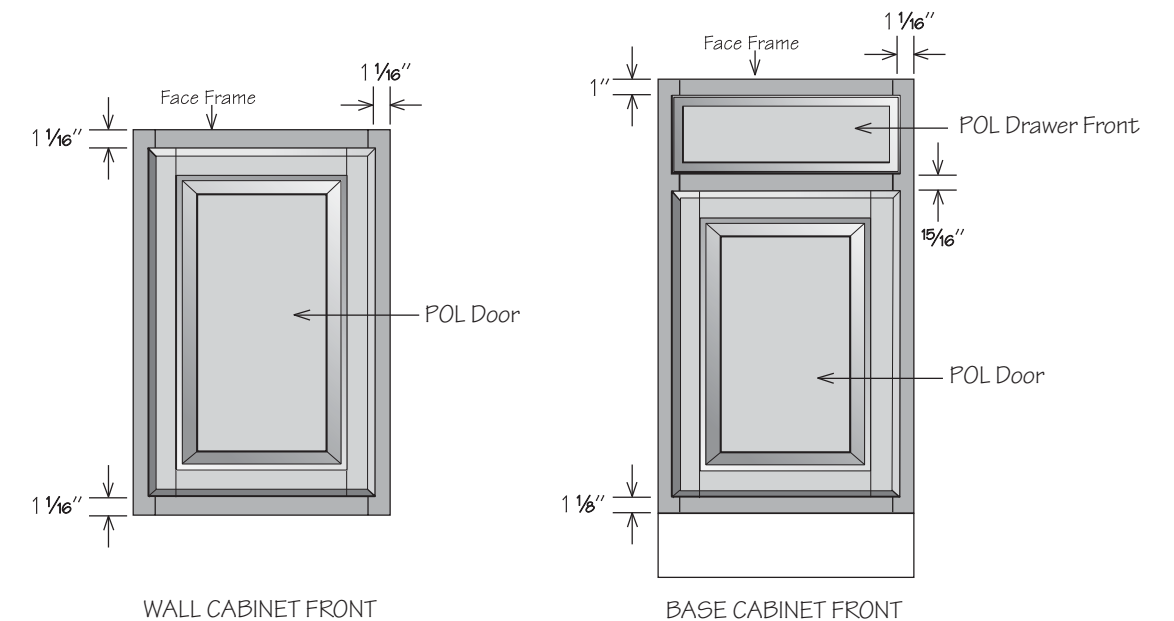
## Full Overlay

Full overlay (FOL) doors are sized to cover nearly all of the cabinet face frame. Full overlay door styles require decorative hardware. **To facilitate proper door operation, include at least a 1" filler between the hinged side of full overlay door styles and deeper adjacent objects including cabinets, walls, appliances, and countertops. Blind corners may require more space from the adjacent cabinet to accommodate decorative hardware clearance.**



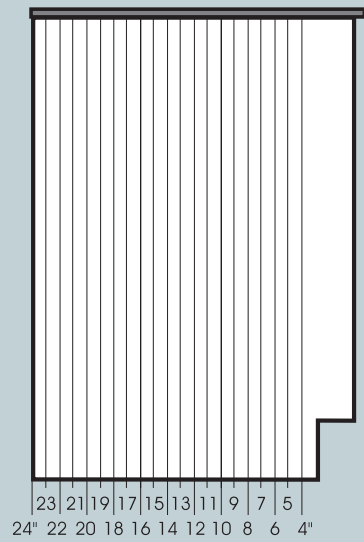
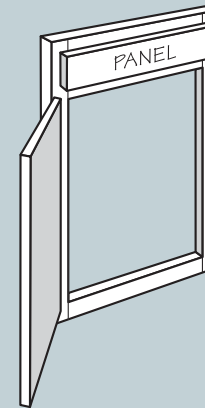
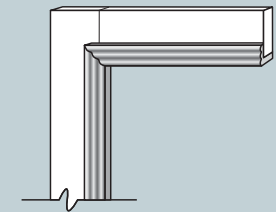
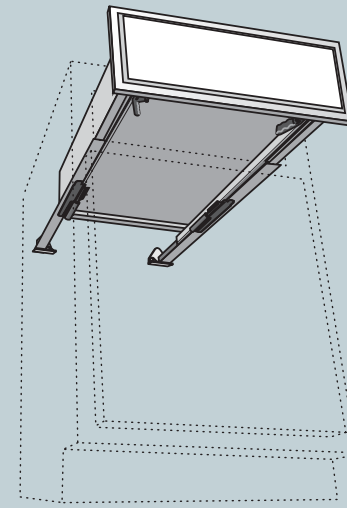
## Partial Overlay

Partial overlay (POL) doors are sized to show about an inch of the cabinet face frame, giving the door some visual depth. Some door styles do not require decorative hardware.





# CONSTRUCTION OPTIONS



# Construction Options Legend

Icons used in this guide are shown below and indicate which construction options are available for a particular product.

- AH Accessible Height Option
- APC All Plywood Construction Option
- CFO Cabinet Front Only Option
- CCDW CushionClose Full-Extension Dovetail Drawer Option
- CCH CushionClose Hinge Option
- CCSS CushionClose Sliding Shelf Option
- FDS Full Depth Shelf Option
- FE Furniture Ends Option
- ID Increased Depth Option
- IF Inverted Frame Option
- MI Matching Interior Option
- PE Plywood Ends Option
- RD Reduced Depth Option
- RTK Recessed Toe Kick Option
- VTD Void Top Drawer Option
- VDO Void Door Option

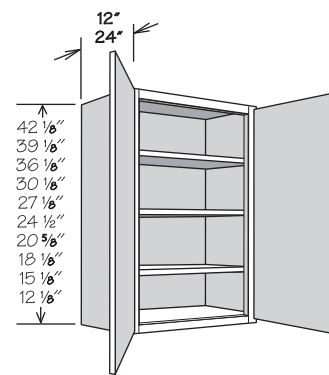
### Example:

When a square ■ or diamond ◆ symbol is in an option box, it indicates that the construction option is ONLY available for SKUs listed with that symbol.

All options without a symbol are available for all SKUs.

In this example, the ◆ diamond indicates that only W3015 BUTT and W3015 BUTT SD are available with Increased Depth (ID), while the ■ square indicates that only the non-SD cabinets are available with Matching Interior (MI) and Void Door (VDO) options.

### Wall Cabinets • 2 Butt Doors



#### 12" DEEP

- W3015 BUTT ■◆
- W3015 BUTT SD ◆

#### 24" DEEP

- W3015 X 24DP BUTT ■
- W3015 X 24DP BUTT SD

# Premium Finish Cabinet Option

Our premium finishes accentuate the detailing and textures of the cabinetry.

- Paints that emphasize lines and rich detail with an inviting texture
- Glazes that settle into the recesses, corners, and grooves to add definition and a distinctive patina
- Glazes are applied over a painted base

PREMIUM FINISH	BASE FINISH	GLAZE	AVAILABLE COLLECTIONS
Painted Biscotti Glaze	Painted Vanilla	Neutral Brown	Abilene, Bandera, Clayton, Cooper, Durango, Elderidge and Oxridge
Painted Ember Glaze	Painted Harbor	Pewter	Abilene, Bandera, Clayton, Cooper, Durango, Elderidge and Oxridge
Painted Pewter Glaze	Painted Linen	Deep Gray	Abilene, Bandera, Clayton, Cooper, Durango, Elderidge and Oxridge

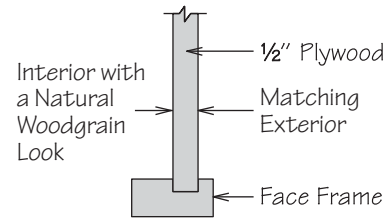
PREMIUM FINISH	FINISH	AVAILABLE COLLECTIONS
Painted Black	Black Paint	Abilene, Bandera, Barren, Belcourt, Clayton, Canyon, Cooper, Denver, Durango, Elderidge, Lubbock and Oxridge
Painted Boulder	Dark Gray Paint	Abilene, Bandera, Barren, Belcourt, Clayton, Canyon, Cooper, Denver, Durango, Elderidge, Lubbock and Oxridge
Painted Harbor	Light Gray Paint	Abilene, Bandera, Barren, Belcourt, Clayton, Canyon, Cooper, Denver, Durango, Elderidge, Lubbock and Oxridge
Painted Linen	Crisp White Paint	Abilene, Bandera, Barren, Belcourt, Clayton, Canyon, Cooper, Denver, Durango, Elderidge, Lubbock and Oxridge
Painted Mist	Light Blue Paint	Abilene, Bandera, Barren, Belcourt, Clayton, Canyon, Cooper, Denver, Durango, Elderidge, Lubbock and Oxridge
Painted Navy	Dark Blue Paint	Abilene, Bandera, Barren, Belcourt, Clayton, Canyon, Cooper, Denver, Durango, Elderidge, Lubbock and Oxridge
Painted Sage	Soft Green Paint	Abilene, Bandera, Barren, Belcourt, Clayton, Canyon, Cooper, Denver, Durango, Elderidge, Lubbock and Oxridge
Painted Stone	Soft Gray Paint	Abilene, Bandera, Barren, Belcourt, Clayton, Canyon, Cooper, Denver, Durango, Elderidge, Lubbock and Oxridge
Painted Vanilla	Warm Soft White Paint	Abilene, Bandera, Barren, Belcourt, Clayton, Canyon, Cooper, Denver, Durango, Elderidge, Lubbock and Oxridge

## All Plywood Construction Option

APC

All Plywood Construction Option includes:

- 1/2" plywood sides, floors, and cabinet tops
- 3/4" plywood shelves with edge banding
- 1/8" plywood captured back
- 1/2" plywood inset toe kick
- 1/2" plywood corner blocks (excluding BEA/BPP/BPPUS/BTDP cabinets or cabinets with a solid top)



### Notes:

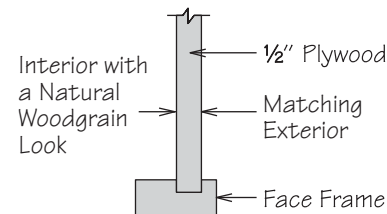
- **This option requires the CushionClose Full-Extension Dovetail Drawer Option upgrade**
- Standard base cabinets convert to full-depth plywood shelves
- Exterior sides finished to match specific cabinet box exterior
- Plywood will be visible from top and bottom of side panels
- Available for individual cabinets or entire kitchen
- All door styles feature standard interior sides with a natural woodgrain look and matching exterior sides
- May be combined with all construction options excluding Cabinet Front Only and Plywood Ends.
- Toe kick support blocks are not plywood
- Slide out accessories and drawer inserts will not feature All Plywood Construction
- All Plywood Construction refers to the cabinet box components and shelving as detailed above (certain parts and accessories are not available with this construction option)
- Plywood can consist of a combination of veneer and medium density fiberboard (MDF) layers to achieve superior product stability and finish quality. Plywood components meet the ANSI/HPVA hardwood and decorative plywood standards ([www.decorativehardwoods.org](http://www.decorativehardwoods.org))

## Plywood Ends Option

PE

Plywood Ends Option includes:

- 1/2" plywood cabinet sides



### Notes:

- Exterior sides finished to match cabinet exterior
- Plywood will be visible from top and bottom of side panels
- Available for individual cabinets or entire kitchen
- All door styles feature standard interior sides with a natural woodgrain look and matching exterior sides
- May be combined with all construction options excluding All Plywood Construction, Furniture Ends and Cabinet Front Only Option
- Plywood Ends refers to the cabinet box side panels as detailed above (certain parts and accessories are not available with this construction option)
- Plywood can consist of a combination of veneer and medium density fiberboard (MDF) layers to achieve superior product stability and finish quality. Plywood components meet the ANSI/HPVA hardwood and decorative plywood standards ([www.decorativehardwoods.org](http://www.decorativehardwoods.org))

CONSTRUCTION OPTION	CONSTRUCTION OPTION		
	Standard Construction	Plywood Ends Option (PE)	All Plywood Construction Option (APC)
Cabinet Sides	1/2" Engineered Wood	1/2" Plywood	1/2" Plywood
Cabinet Floor	1/2" Engineered Wood	1/2" Engineered Wood	1/2" Plywood
Cabinet Top (Wall Cabinets Only)	1/2" Engineered Wood	1/2" Engineered Wood	1/2" Plywood
Cabinet Back	1/8" Hardboard Substrate Captured	1/8" Hardboard Substrate Captured	1/8" Plywood Captured
Inset Toe Kick	1/2" Engineered Wood	1/2" Engineered Wood	1/2" Plywood
Corner Blocks	1/2" Engineered Wood	1/2" Engineered Wood	1/2" Plywood <i>*see APC option box for list of exclusions</i>
Shelves	3/4" Wall and 3/4" Half-Depth Base Engineered Wood with Edge Banding	3/4" Wall and 3/4" Half-Depth Base Engineered Wood with Edge Banding	3/4" Wall and 3/4" Full-Depth Base Plywood with Edge Banding
Wall Cabinet Hanging Rails	1/2" Engineered Wood Top and Bottom Rails	1/2" Engineered Wood Top and Bottom Rails	1/2" Plywood Top and Bottom Rails
Base Cabinet Hanging Rails	3/4" Hardwood Top Rail 1/2" Engineered Wood Bottom Rail	3/4" Hardwood Top Rail 1/2" Engineered Wood Bottom Rail	3/4" Hardwood Top Rail 1/2" Plywood Bottom Rail

## Accessible Height Option

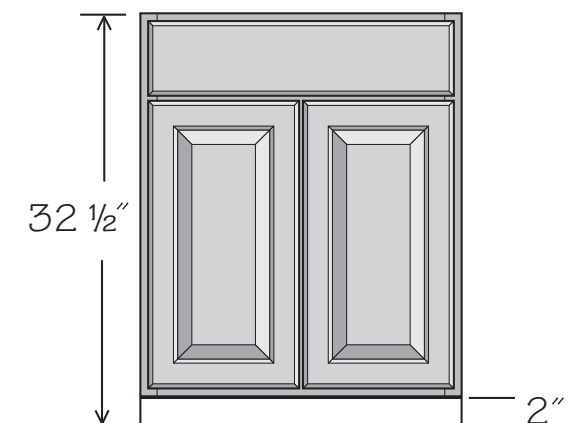
AH

The Accessible Height Option is available for most cabinets that feature a toe kick.

### Notes:

- This option reduces cabinet height by 2" off the toe kick area
  - » Toe kick boxes that are shipped separately on 93" & 96" high tall cabinets will also be reduced by 2" with this option
- May be combined with all construction options excluding Recessed Toe Kick or Cabinet Front Only Option
- Any cabinet part above toe kick (face frames, doors, internal cabinet accessories, etc.) will not be altered by this modification

	34 1/2" Base/Vanity	84" Tall	90" Tall	93" Tall	96" Tall
Modified Height	32 1/2"	82"	88"	91"	94"



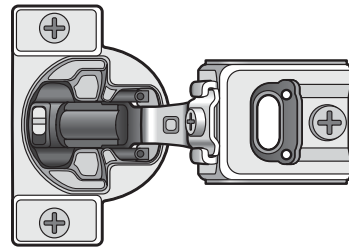
## CushionClose Hinge Option

CCH

The CushionClose Hinge Option features a slow-closing mechanism that helps reduce slams and noise.

**Notes:**

- Not for use on the following SKUs: BER\_, BSS\_, CAR\_, WER\_, or WTH\_



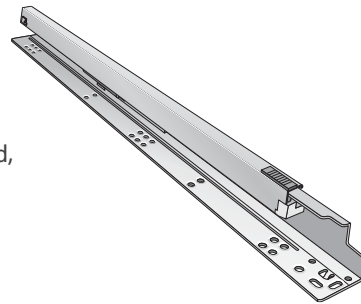
## CushionClose Dovetail Drawer Option

CCDW

The CushionClose Dovetail Drawer Option features 5/8" dovetail hardwood drawers with a full-extension glide and an integrated slow-close mechanism that reduces slamming and noise.

**Notes:**

- Features 5/8" dovetail hardwood drawers
- Unique oil damper technology for whisper-quiet operation
- Wastebasket cabinets with this upgrade option feature heavy-duty, 132-pound rated, Full-Extension CushionClose Glides
- Decorative hardware strongly recommended



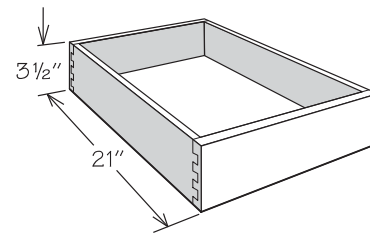
## CushionClose Deep Dovetail Sliding Shelf Option

CCSS

The CushionClose Deep Dovetail Sliding Shelf Option provides all the features a 3 1/2" high and 5/8" thick hardwood dovetail sliding shelf with an integrated slow-close mechanism that reduces slamming and noise.

**Notes:**

- Features 3 1/2" high sliding shelf
- Features 5/8" dovetail hardwood drawers with MDF bottoms
- Unique oil damper technology for whisper-quiet operation



## Reduced Depth Option

RD

The Reduced Depth Option should be used when ordering less than standard depth cabinets. The Reduced Depth Option is available in 1" increments; minimum depth is 4". Vanity and desk cabinets will reduce to standard reduced depth increments (e.g. vanity cabinets with RD-20 will measure 20" in depth).

Orders specifying Reduced Depth Option must show the total cabinet depth.

Example: Cabinet: B24  
Option: RD-17 (reduced to 17" deep)

**Notes:**

- There is a potential tipping hazard for reduced depth cabinets until they are mounted to a wall
- Peninsula Base cabinets reduced to 11" or less will not have an inset toe kick
- Full-depth shelves are reduced in 1" increments to match Reduced Depth Option selected on cabinet(s)
- Half-depth shelves are reduced in 1" increments for cabinets reduced to 11" or less
- Adding the Reduced Depth Option does not remove adjustable shelves (where applicable)
- May be combined with all construction options excluding Increased Depth, Cabinet Front Only or Recessed Toe Kick when cabinets are reduced to 8" or less
- All cabinets reduced to 5" or less will not have an inset toe kick
- Reduced depth restrictions:
  - » Cabinets with factory installed sliding shelves are only available with RD-23 through RD-12
  - » 24" Deep Wall Top Hinge cabinets are only available with RD-23 through RD-8
  - » 12" Deep Wall Top Hinge cabinets are only available with RD-11 through RD-8
  - » Base End Angle (BEA12FH) cabinets are only available with RD-23 through RD-18
  - » Kneehole Drawer cabinets are only available with RD-20 through RD-12
  - » Two-Drawer Base cabinets are only available with RD-23 through RD-21
  - » 24" Deep Furniture Drawer cabinets are only available with RD-23 through RD-13
- When ordering reduced depth accessories, specify the depth of the cabinet for which the accessory is intended (e.g., SK3624 RD-21 would be ordered for a UT3624 X 84 RD-21)

OPTION CODE	ACTUAL DIMENSION			
	Reduced Depth	Drawer Depth (Full Extension)	Drawer Depth (Side-Mounted)	Sliding Shelf Depth With CCSS Upgrade
RD-23		18"	18"	18"
RD-22		18"	18"	18"
RD-21		18"	18"	16"
RD-20		15"	15"	16"
RD-19		15"	15"	16"
RD-18		15"	15"	15"
RD-17		12"	12"	14"
RD-16		12"	12"	13"
RD-15		12"	12"	12"
RD-14		9 7/8"	9"	11"
RD-13		9 7/8"	9"	10"
RD-12		9 7/8"	9"	9"
RD-11 to RD-6	No Drawer	No Drawer	Not Available	Not Available
RD-5 or RD-4	No Drawer	No Drawer	Not Available	Not Available

## Increased Depth Option

ID

The Increased Depth Option is available for most Wall cabinets up to 36" wide and all Bookshelves. The Increased Depth Option is available in 1" increments; maximum depth is 24".

Orders specifying Increased Depth Option must show the total cabinet depth.

Example: Cabinet: W1530

Option: ID-14 (increased to 14" deep)

### Notes:

- May be combined with all construction options excluding Reduced Depth and Cabinet Front Only Option
- Adjustable shelves are increased in 1" increments to match Increased Depth Option selected on cabinet(s)
- Wall cabinets and bookshelves increased up to and including 18" deep can be mounted using standard installation procedures
- Wall cabinets and bookshelves increased to 19" deep and over must be stacked, floor mounted, or installed over a refrigerator
- All increased depth cabinets must be securely attached in one of the following combinations: to studs in back wall and both sides OR to studs in back wall, one side and top (e.g. two adjacent cabinets or one adjacent cabinet and a wall)

## Furniture Ends Option

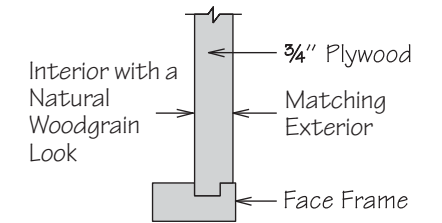
FE

Furniture Ends Option includes:

- $\frac{3}{4}$ " plywood cabinet sides

### Notes:

- Exterior sides feature plywood finished to match specific cabinet box exterior
- Plywood is visible on top and bottom of side panels
- All door styles feature standard interior sides with a natural woodgrain look and matching exterior sides
- Available for individual cabinets except Base End Angle (BEA24 FH) and Wall End Angle (WEA12) cabinets
- Both side panels convert to  $\frac{3}{4}$ " plywood sides except Base End Angle (BEA12 FH) cabinets which converts the 12" side panel only
- May be combined with all construction options excluding Plywood Ends and Cabinet Front Only Option
- End panels are not required for installation of decorator matching doors or the exposed ends of cabinets with the Furniture Ends Option
- Cabinet Angle Molding (CAM8) cannot be used with cabinets with the Furniture Ends Option
- Sink Front Return (SFR R/L) with the Furniture Ends Option will include a rabbetted front edge
- A seam will be visible between stacked cabinets and on 93" and 96" tall cabinets between the toe kick box and the cabinet. Recommendations to conceal this seam:
  - » Use decorative molding (e.g., Batten Molding or Ogee Pilaster Molding)
  - » Use a Column Filler or Wood Tall End Panel
- Plywood can consist of a combination of veneer and MDF layers to achieve superior product stability and finish quality. Plywood components meet the ANSI/HPVA hardwood and decorative plywood standards ([decorativehardwoodsassociation.org](http://decorativehardwoodsassociation.org)).



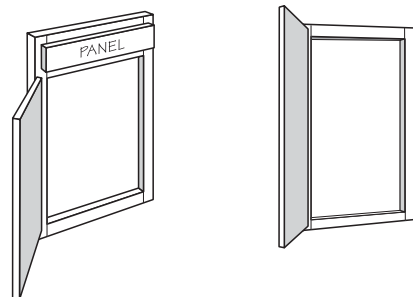
## Cabinet Front Only Option

CFO

The Cabinet Front Only Option is available for most cabinets with a frame.

### Notes:

- Cannot be combined with any construction option
- This option consists of the cabinet frame, door(s), drawer front(s), and hinges
- Toe kicks are not included
- This option is only available for cabinets without accessories



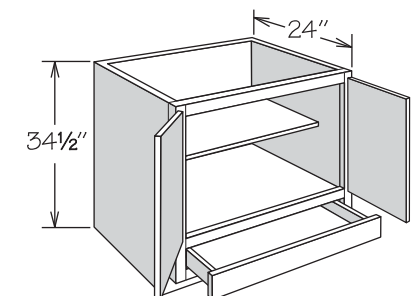
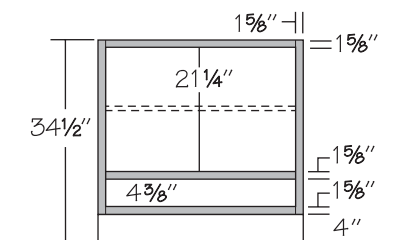
## Inverted Frame Option

IF

The Inverted Frame Option is available for most standard base cabinets and base cabinets with accessories.

### Notes:

- May be combined with all construction options excluding Cabinet Front Only and Void Top Drawer Option
- Drawer(s) below full cabinet floor
- Adjustable shelf is included
- Back is not predrilled for Sliding Shelves (SSK's)



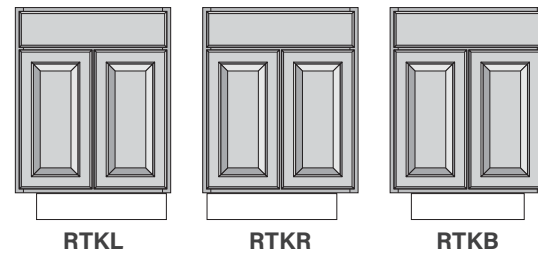
## Recessed Toe Kick Option

RTK

The Recessed Toe Kick Option is available on most Base, Desk and Vanity base cabinetry. When the Recessed Toe Kick Option is selected, left, right or both must be specified.

### Notes:

- May be combined with all construction options excluding Accessible Height Option, Cabinet Front Only and the Reduced Depth Option when cabinets are reduced to 8" or less
- Recommended for cabinets at the end of a run, especially in island and peninsula designs
- Recessed side(s) are constructed of ½" thick unfinished plywood and are recessed 3½" to match front of cabinet
- Recessed Toe Kick box is not flush on non-recessed side and back
- Blind Corner Base cabinets are only available with the Recessed Toe Kick Both (RTKB) Option
- Base End Angle (BEA\_FH), Base Pantry Pull Out (BPP9), Base Pantry Pull Out Utensil Storage (BPPUS9), Base Tray Divider Pull Out (BTDP9), Tray Base cabinets (TB9\_) are not available with the Recessed Toe Kick Both Option (RTKB)
- Not available for Peninsula Base cabinets with the Reduced Depth Option of RD-11 and lower
- For Peninsula Base cabinets, the working drawer side indicates the front of the cabinet in order to correctly select Recessed Toe Kick Right (RTKR) or Left (RTKL)
- Peninsula Base cabinets ordered with Recessed Toe Kick Option must be secured to the floor through the cabinet bottom into bracing secured to the floor
- Base toe kick (BTK8) required for front and any exposed side(s)



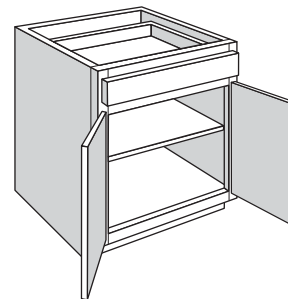
## Full Depth Shelf Option

FDS

The Full Depth Shelf Option is available for most Base cabinets and will convert the half-depth shelf to a full-depth shelf.

### Notes:

- Available for individual cabinets
- Not available for cabinets with accessories
- May be combined with the Reduced Depth Option down to 13"
- Cannot be ordered with All Plywood Construction



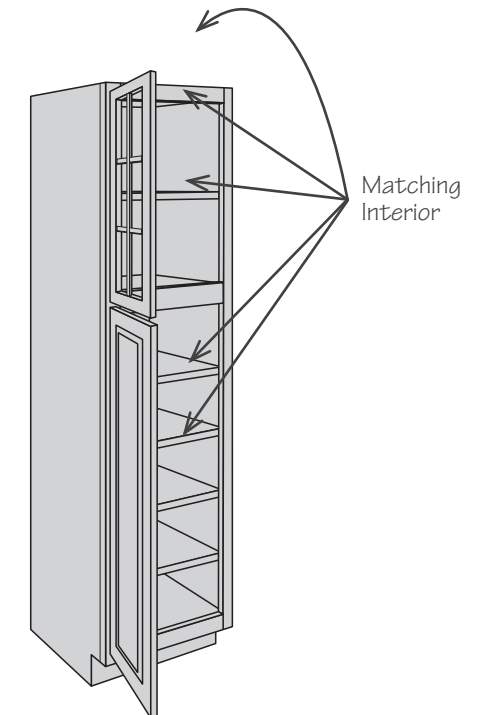
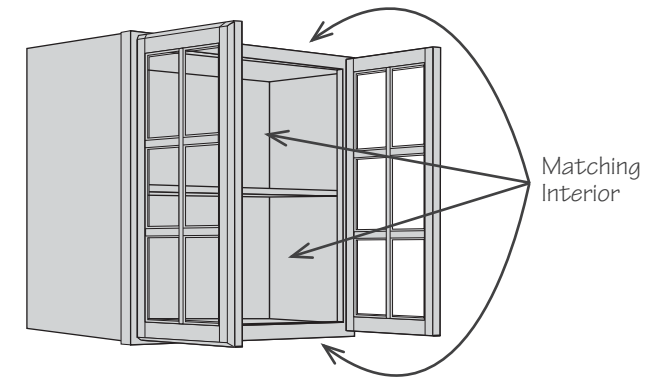
## Matching Interior Option

MI

The Matching Interior Option is available for Wall cabinets (with the exceptions noted below), Utility cabinets, Vanity Linen cabinets, and Refrigerator Return Panels. This option matches the cabinet's interior, top and bottom to that of the cabinet's box exterior. For textured-wrapped Duraform, refer to door style page for box finish.

### Notes:

- May be combined with all construction options excluding Cabinet Front Only
- Not available for wall cabinets with a standard matching interior (including all Specialty Door cabinets)
- All Plywood Construction Option (APC), Furniture End Option (FE), or Plywood End Option (PE) is recommended when Matching Interior (MI) is selected
- Standard construction cabinetry with the Matching Interior Option features two-sided engineered wood side panels finished to match cabinet box exterior
- Cabinetry with the All Plywood Construction Option (APC), Furniture Ends Option (FE), or Plywood Ends Option (PE) features two-sided plywood side panels finished to match cabinet box exterior
- Matching Interior cabinetry with the All Plywood Construction Option features ¾" plywood shelves finished to match cabinet box exterior
- Recommended for wall cabinets with the Void Door Option (VDO)
- All finished surfaces of the Wall, Utility, and Vanity Linen cabinets will be color matched including shelves, back, interior and exterior of returns, top and bottom
- Surfaces that are not finished (including hanging rails, tops/bottoms of side panels, cabinet backs, etc.) will remain unfinished
- Interior accessories in Matching Interior cabinets will remain natural finish (e.g., spice rack kit, deep dovetail sliding shelves, pantry swing-out kit)
- When Matching Interior (MI) is ordered for Breeze and Drift finishes, cabinet interior will match cabinet box exterior.





## Void Door Option

VDO/VDM

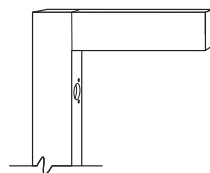
The Void Door Option is available for most wall cabinets. All void door cabinets ship without doors or hinges – center stiles and adjustable shelves will remain. Cabinet frames are pre-drilled for door hinges. All void door Wall Top Hinge Cabinets will ship without door, lid stays, and hinges.

Refer to the descriptions below to select the correct option for your layout:

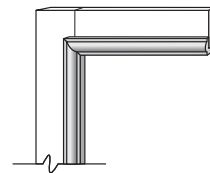
- VDO-DFH (Drilled For Hinges)
- VDM-SBAM (Single Bead Accent Molding)
- VDM-SAM (Shaker Accent Molding)

**Notes:**

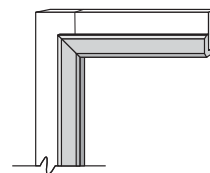
- May be combined with all construction options excluding Cabinet Front Only Option
- Can be used to create decorative open cabinets
- Decorative accent moldings will conceal hinge holes
- Molding is to be cut and field installed at the job site
- When matching interior is desired, the Matching Interior Option must be selected separately



**VDO-DFH**  
Drilled For Hinges



**VDO-SBAM**  
Single Bead Accent Molding



**VDO-SAM**  
Shaker Accent Molding

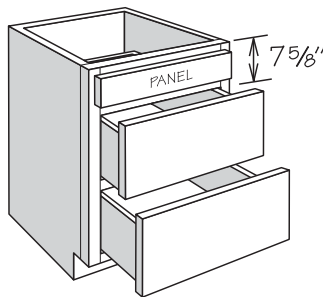
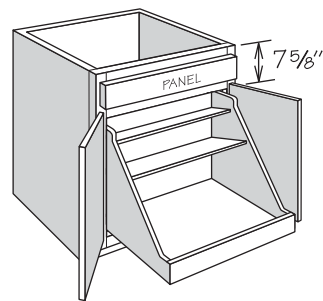
## Void Top Drawer Option

VTD

The Void Top Drawer Option is available for most 3 Drawer Base, 4 Drawer Base, Base with Sliding Shelves, Base with Pot & Pan Organizer and Peninsula Base cabinets.

**Notes:**

- May be combined with all construction options excluding Cabinet Front Only and Inverted Frame Option
- This option removes the drawer body and glide system and replaces it with a false panel on any top drawer(s)
- On cabinets with multiple top drawers, all top drawers will be voided
- When using an appliance, the interior height clearance is 7<sup>5</sup>/<sub>8</sub>" from the top of the cabinet to the top of the door/drawer opening below the voided drawer
- Subtract 1<sup>1</sup>/<sub>2</sub>" from width and depth for available top opening – removal of corner blocks may be required
- Removal of the top rail is not recommended
- Refer to appliance manufacturer's specifications for adequate clearances and required installation materials



## Specialty Door Options

SD

Specialty Door Option cabinets are available for most wall, utility and vanity linen cabinet sizes. All Specialty Door Option cabinets include Matching Interior as standard and require one of the specialty door options below. Specialty door options for utility and vanity linen cabinets apply to top door(s) only.

**Open Frame Door (OFD) notes:**

- Features door frame only with no mullions or center panel
- Decorative glass inserts and appropriate glass clips are shipped separately from the cabinet for field installation – see pages 68–69 for available glass inserts
- See page 65 for door style profiles

**Mullion Frame Door (MFD) notes:**

- Features grid-style mullions
- Not available for Wall Top Hinge cabinets
- Decorative glass inserts and appropriate glass clips are shipped separately from the cabinet for field installation – see pages 68–69 for available glass inserts
- See pages 66–67 for door style profiles

**SPECIALTY DOOR AVAILABILITY BY SIZE**

Door Width	Door Height									
	12" High Wall	15" High Wall	18" High Wall	21" High Wall	24" High Wall	27" High Wall	30" High Wall	36" High Wall	39" High Wall	42" High Wall
12" Wide	●	●	●		●		●	●	●	●
13" Wide	●	●	●		●		●	●	●	●
15" Wide	●	●	●	●	●	●	●	●	●	●
16" Wide	●	●	●	●	●		●	●	●	●
18" Wide	●	●	●	●	●		●	●	●	●
18 1/2" Wide	●	●	●	●	●					
19" Wide	●	●	●	●	●		●	●		●
21" Wide	●	●	●		●		●	●	●	●
30" Wide		■	■							
36" Wide		■	■							
42" Wide	■									

● Available with all Specialty Door Options

■ Wall Top Hinge cabinets only – not available with MFD Option

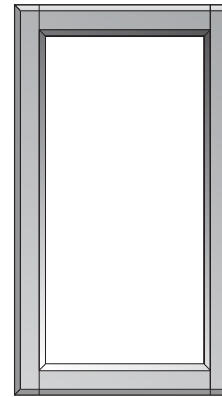
SPECIALTY DOOR OFFERING BY STYLE

Door Style	OFD	MFD
Abilene	●	●
Abilene Duraform	●	
Bandera	●	●
Barren	●	
Belcourt	●	
Canyon	●	
Carson	●	
Clayton	●	●
Cooper	●	
Denver	●	
Durango	●	
Elderidge	●	●
Lubbock	●	
Oxridge	●	

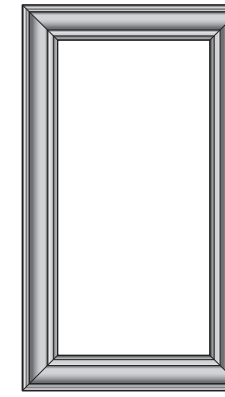
Open Frame Door Profiles

OFD

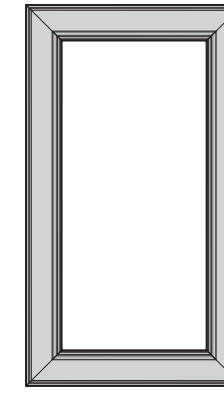
PROFILE FOR:  
• Clayton



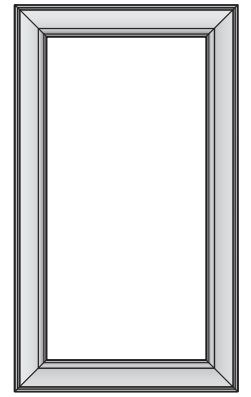
PROFILE FOR:  
• Elderidge



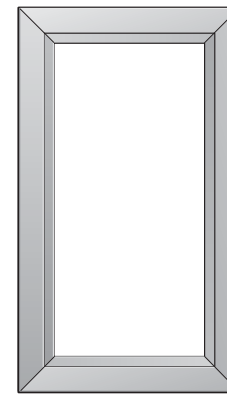
PROFILE FOR:  
• Abilene



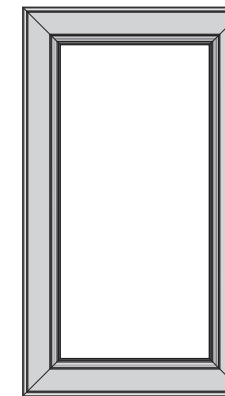
PROFILE FOR:  
• Carson



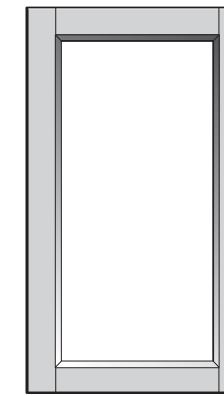
PROFILE FOR:  
• Oxridge



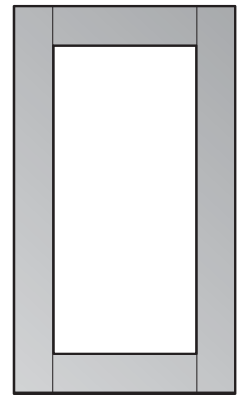
PROFILE FOR:  
• Durango



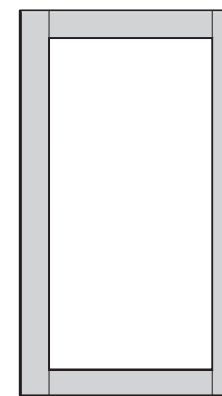
PROFILE FOR:  
• Bandera



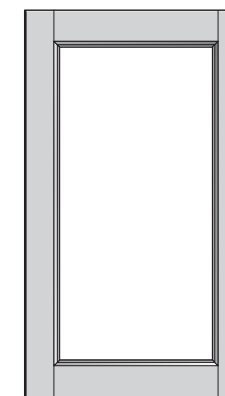
PROFILE FOR:  
• Canyon  
• Lubbock



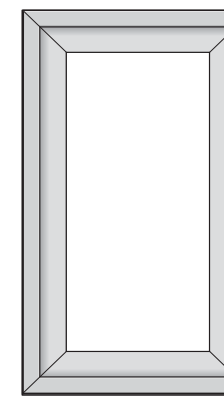
PROFILE FOR:  
• Barren  
• Denver



PROFILE FOR:  
• Cooper



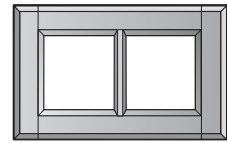
PROFILE FOR:  
• Belcourt



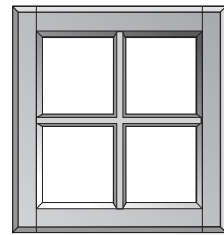
# Mullion Frame Door Profiles

MFD

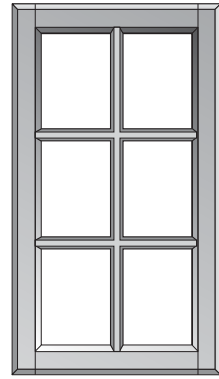
PROFILE FOR:  
• Clayton



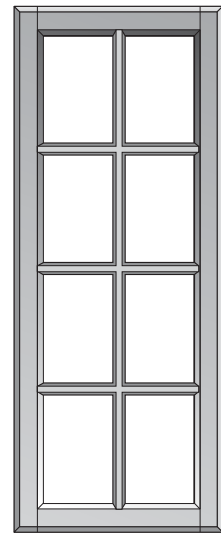
12" High Wall Cabinet



15", 18", 21", 24" or 27"  
High Wall Cabinet

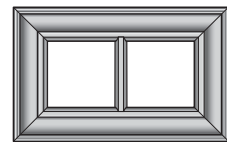


30" or 36" High Wall Cabinet  
84" or 90" High Utility Cabinet  
84" High Vanity Linen Cabinet

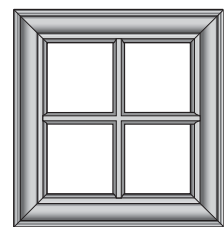


39" or 42" High Wall Cabinet  
93" or 96" High Utility Cabinet

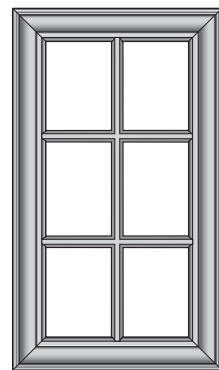
PROFILE FOR:  
• Elderidge



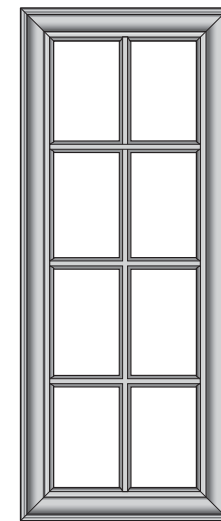
12" High Wall Cabinet



15", 18", 21", 24" or 27"  
High Wall Cabinet



30" or 36" High Wall Cabinet  
84" or 90" High Utility Cabinet  
84" High Vanity Linen Cabinet

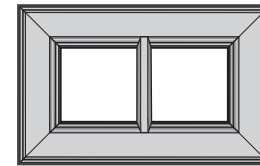


39" or 42" High Wall Cabinet  
93" or 96" High Utility

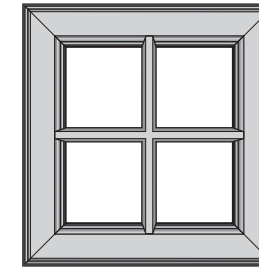
# Mullion Frame Door Profiles

MFD

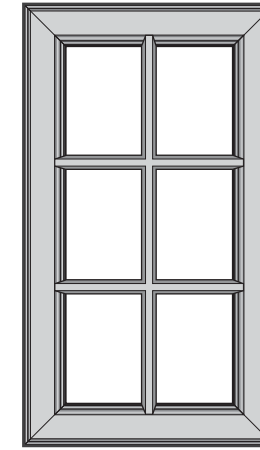
PROFILE FOR:  
• Abilene\*



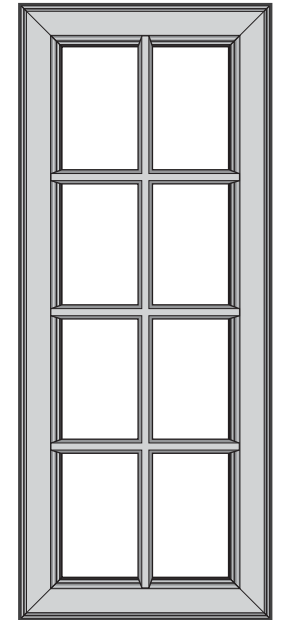
12" High Wall Cabinet



15", 18", 21", 24" or 27"  
High Wall Cabinet



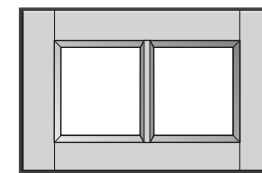
30" or 36" High Wall Cabinet  
84" or 90" High Utility Cabinet  
84" High Vanity Linen Cabinet



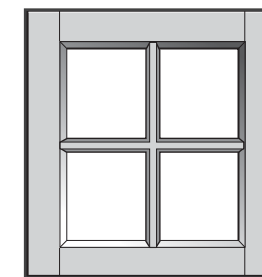
39" or 42" High Wall Cabinet  
93" or 96" High Utility

\*Not available for Duraform.

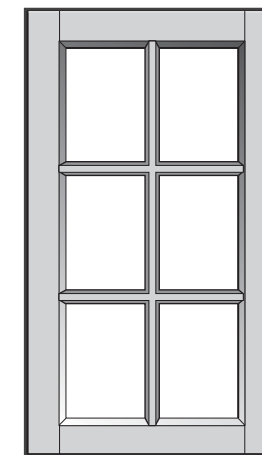
PROFILE FOR:  
• Bandera



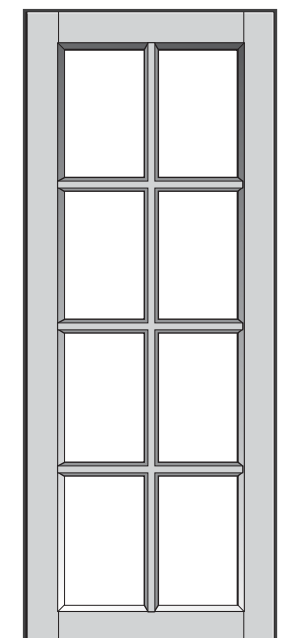
12" High Wall Cabinet



15", 18", 21", 24" or 27"  
High Wall Cabinet



30" or 36" High Wall Cabinet  
84" or 90" High Utility Cabinet  
84" High Vanity Linen Cabinet



39" or 42" High Wall Cabinet  
93" or 96" High Utility

**Clear Glass**



OFD  
MFD

- 1/8" thick panel
- Clear glass
- Tempered safety glass
- Includes appropriate Decorative Glass Clips
- Order as DGI-\_\_\_ CLEAR, refer to Parts Directory for nomenclature and dimensions

**Derbyshire Seeded Glass**



OFD  
MFD

- 1/8" thick panel
- Clear seeded glass
- Laminated safety glass
- Includes appropriate Decorative Glass Clips
- Order as DGI-\_\_\_ DERBYSHIRE, refer to Parts Directory for nomenclature and dimensions

**Frosted Glass**



OFD  
MFD

- 1/8" thick panel
- Frosted glass with etched finish
- Tempered safety glass
- Includes appropriate Decorative Glass Clips
- Order as DGI-\_\_\_ FROSTED, refer to Parts Directory for nomenclature and dimensions

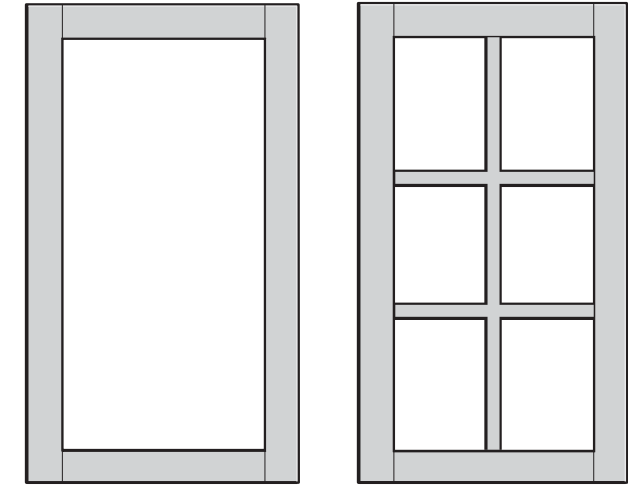
**Ribbed Glass**



OFD  
MFD

- 1/8" thick panel
- Clear ribbed glass
- Tempered safety glass
- Includes appropriate Decorative Glass Clips
- Not available for Wall Top Hinge Cabinets
- Order as DGI-\_\_\_ RIBBED, refer to Parts Directory for nomenclature and dimensions

**Prepped for Glass**



OFD  
MFD

- For customer installed inserts up to 3/16" thick
- Refer to pages 65-67 for standard profiles
- Decorative Glass Clips not included—order separately

**Frosted Ash Glass**



OFD  
MFD

- 1/8" thick panel
- Gray tinted glass
- Tint is manufactured in material - not a film
- Tempered safety glass
- Includes appropriate Decorative Glass Clips
- Order as DGI-\_\_\_ FROSTED ASH, refer to Parts Directory for nomenclature and dimensions

**Impression Glass**



OFD  
MFD

- 1/8" thick panel
- Sculptural glass
- Tempered safety glass
- Includes appropriate Decorative Glass Clips
- Order as DGI-\_\_\_ IMPRESSION, refer to Parts Directory for nomenclature and dimensions

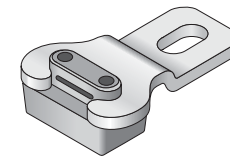
**Meredith Glass**



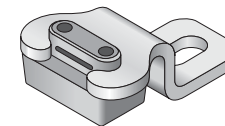
OFD

- 1/4" overall thickness (1/8" beveled edge thickness)
- Clear glass design with 1/4" wide beveled edges
- Tempered safety glass
- Includes appropriate Decorative Glass Clips
- Order as DGI-\_\_\_ MEREDITH, refer to Parts Directory for nomenclature and dimensions

**Decorative Glass Clips**



CLIP DGI 1/8



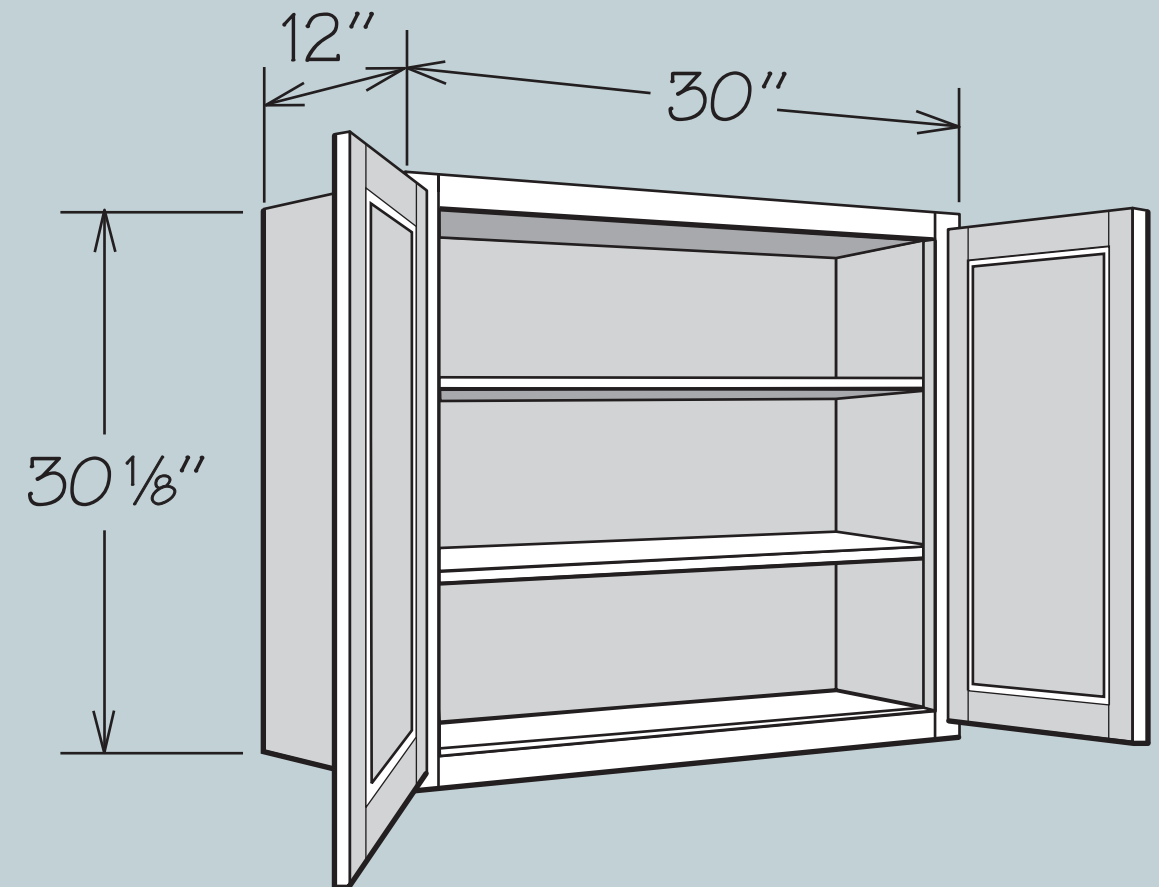
CLIP DGI 5/16

- For installation of decorative glass insert
- Order one bag (six clips) per door

CLIP DGI 1/8  
CLIP DGI 5/16

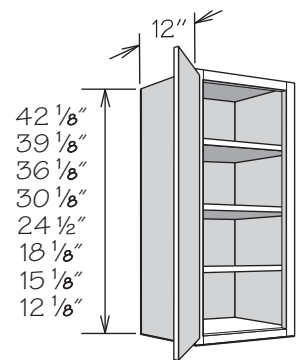
Glass Insert	CLIP DGI 1/8	CLIP DGI 5/16
Clear	●	
Derbyshire		●
Frosted	●	
Frosted Ash	●	
Impression	●	
Meredith	●	
Ribbed	●	

# WALL CABINETS



## Wall Cabinets • 1 Door

**NEW!** **SIZES**



42" High Shown

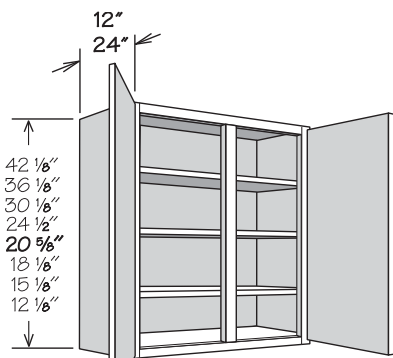
- Specialty Door cabinets (SD) feature Matching Interior standard and require a specialty door selection
- Must be ordered as hinged left or right
- 18", 15" and 12" high wall cabinets are not drilled for adjustable shelf

APC
CCH
CFO
FE
ID
MI
PE
RD
VDO

### 12" DEEP

42"H • 3 Shelves	39"H • 3 Shelves	36"H • 2 Shelves	30"H • 2 Shelves	24"H • 1 Shelf	18"H • No Shelf	15"H • No Shelf	12"H • No Shelf
W942 ■	W939 ■	W936 ■	W930 ■	W1224 ■	W1218 ■	W1215 ■	W1212 ■
W1242 ■	W1239 ■	W1236 ■	W1230 ■	W1524 ■	W1518 ■	W1515 ■	W1512 ■
W1542 ■	W1539 ■	W1536 ■	W1530 ■	W1824 ■	W1818 ■	W1815 ■	W1812 ■
W1842 ■	W1839 ■	W1836 ■	W1830 ■	W2124 ■	W2118 ■	W2115 ■	W2112 ■
W2142 ■	W2139 ■	W2136 ■	W2130 ■	W1224 SD	W1218 SD	W1215 SD	W1212 SD
W1242 SD	W1239 SD	W1236 SD	W2430 ■	W1524 SD	W1518 SD	W1515 SD	W1512 SD
W1542 SD	W1539 SD	W1536 SD	W1230 SD	W1824 SD	W1818 SD	W1815 SD	W1812 SD
W1842 SD	W1839 SD	W1836 SD	W1530 SD	W2124 SD	W2118 SD	W2115 SD	W2112 SD
W2142 SD	W2139 SD	W2136 SD	W1830 SD				
			W2130 SD				

## Wall Cabinets • 2 Doors



42" High Shown

- Specialty Door cabinets (SD) feature Matching Interior standard and require a specialty door selection
- 24" deep cabinets feature half-depth shelf where applicable
- 24" deep cabinets must be installed by:
  - » Securely attaching to studs in back wall and both sides or to studs in back wall, one side and top (e.g. two adjacent cabinets or one adjacent cabinet and a wall)
  - » And must be either stacked, floor mounted or installed over a refrigerator
- 21", 18", 15" and 12" high wall cabinets are not drilled for adjustable shelf
- Center shelf support provided (where applicable)

APC
CCH
CFO
FE
MI
PE
RD
VDO

### 12" DEEP

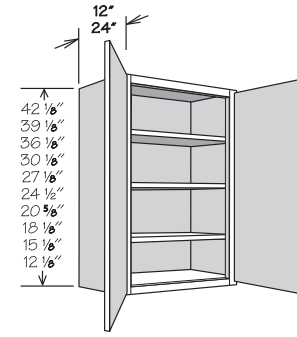
42"H • 3 Shelves	30"H • 2 Shelves	24"H • 1 Shelf	18"H • No Shelf	15"H • No Shelf
W3942 ■	W3930 ■	W3924 ■	W3918 ■	W3915 ■
W4242 ■	W4230 ■	W4224 ■	W4218 ■	W3915 SD
W3942 SD	W4830 ■	W3924 SD	W3918 SD	
W4242 SD	W3930 SD	W4224 SD	W4218 SD	
	W4230 SD			
36"H • 2 Shelves	21"H • No Shelf	15"H • No Shelf		
W3936 ■	W3921 ■	W3912 ■		
W4236 ■	W3921 SD	W3912 SD		
W3936 SD				
W4236 SD				

### 24" DEEP

24"H • 1 Shelf	21"H • No Shelf	18"H • No Shelf	15"H • No Shelf	12"H • No Shelf
W3924 X 24 DP ■	W3921 X 24 DP ■	W3918 X 24 DP ■	W3915 X 24 DP ■	W3912 X 24 DP ■
W3924 X 24 DP SD	W3921 X 24 DP SD	W3918 X 24 DP SD	W3915 X 24 DP SD	W3912 X 24 DP SD

## Wall Cabinets • 2 Butt Doors

**NEW!** **SIZES**



42" High Shown

- Specialty Door cabinets (SD) feature Matching Interior standard and require a specialty door selection
- 24" deep cabinets feature half-depth shelf where applicable
- 24" deep cabinets must be securely attached in one of the following combinations: to studs in back wall and both sides OR to studs in back wall, one side and top (e.g. two adjacent cabinets or one adjacent cabinet and a wall) or installed over a refrigerator
- 21", 18", 15" and 12" high wall cabinets are not drilled for adjustable shelf
- Center shelf support provided for cabinets 30" or wider (where applicable)

APC
CCH
CFO
FE
ID
MI
PE
RD
VDO

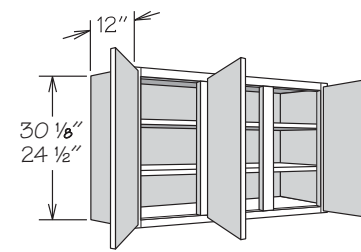
### 12" DEEP

42"H • 3 Shelves	36"H • 2 Shelves	27"H • 1 Shelf	21"H • No Shelf	15"H • No Shelf
W2442 BUTT ■	W2436 BUTT ■	W3027 BUTT ■	W3021 BUTT ■	W2415 BUTT ■
W2742 BUTT ■	W2736 BUTT ■	W3027 BUTT SD	W3321 BUTT ■	W2715 BUTT ■
W3042 BUTT ■	W3036 BUTT ■		W3621 BUTT ■	W3015 BUTT ■
W3342 BUTT ■	W3336 BUTT ■		W3021 BUTT SD	W3315 BUTT ■
W3642 BUTT ■	W3636 BUTT ■		W3321 BUTT SD	W3615 BUTT ■
W2442 BUTT SD	W2436 BUTT SD		W3621 BUTT SD	W2415 BUTT SD
W2742 BUTT SD	W2736 BUTT SD			W2715 BUTT SD
W3042 BUTT SD	W3036 BUTT SD			W3015 BUTT SD
W3342 BUTT SD	W3336 BUTT SD			W3315 BUTT SD
W3642 BUTT SD	W3636 BUTT SD			W3615 BUTT SD
39"H • 3 Shelves	30"H • 2 Shelves	24"H • 1 Shelf	18"H • No Shelf	12"H • No Shelf
W2439 BUTT ■	W2430 BUTT ■	W2424 BUTT ■	W2418 BUTT ■	W2412 BUTT ■
W2739 BUTT ■	W2730 BUTT ■	W2724 BUTT ■	W2718 BUTT ■	W2712 BUTT ■
W3039 BUTT ■	W3030 BUTT ■	W3024 BUTT ■	W3018 BUTT ■	W3012 BUTT ■
W3339 BUTT ■	W3330 BUTT ■	W3324 BUTT ■	W3318 BUTT ■	W3312 BUTT ■
W3639 BUTT ■	W3630 BUTT ■	W3624 BUTT ■	W3618 BUTT ■	W3612 BUTT ■
W2439 BUTT SD	W2430 BUTT SD			W2412 BUTT SD
W2739 BUTT SD	W2730 BUTT SD			W2712 BUTT SD
W3039 BUTT SD	W3030 BUTT SD			W3012 BUTT SD
W3339 BUTT SD	W3330 BUTT SD			W3312 BUTT SD
W3639 BUTT SD	W3630 BUTT SD			W3612 BUTT SD

### 24" DEEP

27"H • 1 Shelf	21"H • No Shelf	18"H • No Shelf	15"H • No Shelf	12"H • No Shelf
W3027 X 24 DP BUTT ■	W3021 X 24 DP BUTT ■	W3018 X 24 DP BUTT ■	W3015 X 24 DP BUTT ■	W3012 X 24 DP BUTT ■
W3027 X 24 DP BUTT SD	W3321 X 24 DP BUTT ■	W3318 X 24 DP BUTT ■	W3315 X 24 DP BUTT ■	W3312 X 24 DP BUTT ■
	W3621 X 24 DP BUTT ■	W3618 X 24 DP BUTT ■	W3615 X 24 DP BUTT ■	W3612 X 24 DP BUTT ■
	W3721 X 24 DP BUTT ■	W3718 X 24 DP BUTT ■	W3715 X 24 DP BUTT ■	W3712 X 24 DP BUTT ■
24"H • 1 Shelf	21"H • No Shelf	18"H • No Shelf	15"H • No Shelf	12"H • No Shelf
W3024 X 24 DP BUTT ■	W3021 X 24 DP BUTT SD	W3018 X 24 DP BUTT SD	W3015 X 24 DP BUTT SD	W3012 X 24 DP BUTT SD
W3324 X 24 DP BUTT ■	W3321 X 24 DP BUTT SD	W3318 X 24 DP BUTT SD	W3315 X 24 DP BUTT SD	W3312 X 24 DP BUTT SD
W3624 X 24 DP BUTT ■	W3621 X 24 DP BUTT SD	W3618 X 24 DP BUTT SD	W3615 X 24 DP BUTT SD	W3612 X 24 DP BUTT SD
W3724 X 24 DP BUTT ■	W3721 X 24 DP BUTT SD	W3718 X 24 DP BUTT SD	W3715 X 24 DP BUTT SD	W3712 X 24 DP BUTT SD
W3024 X 24 DP BUTT SD				
W3324 X 24 DP BUTT SD				
W3624 X 24 DP BUTT SD				
W3724 X 24 DP BUTT SD				

## Wall Cabinets • 3 Doors



30" High Shown

- Specialty Door cabinets (SD) feature Matching Interior standard and require a specialty door selection
- Hinged as shown
- 12" high wall cabinets are not drilled for adjustable shelf
- Center shelf support provided (where applicable)

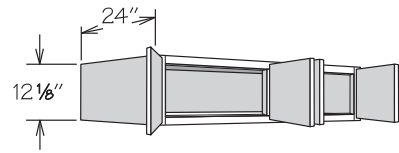
APC
CCH
CFO
FE
MI
PE
RD
VDO

### 12" DEEP

30"H • 2 Shelves	24"H • 1 Shelf
W4530 ■	W4524 ■
W4530 SD	W4524 SD



### Wall Cabinets • 4 Butt Doors



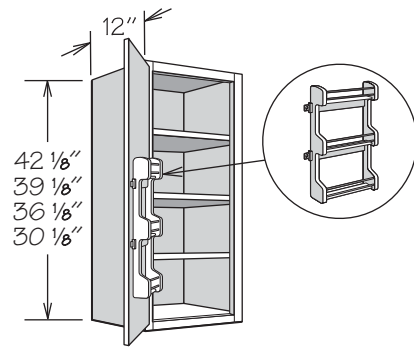
- Not drilled for adjustable shelf
- 24" deep cabinets must be installed by:
  - » Securely attaching to studs in back wall and both sides or to studs in back wall, one side and top (e.g. two adjacent cabinets or one adjacent cabinet and a wall)
  - » And must be either stacked, floor mounted or installed over a refrigerator

APC
CCH
CFO
FE
MI
PE
RD
VDO

#### 24" DEEP

**12"H - No Shelf**  
W4812 X 24 DP BUTT

### Wall Cabinet with Spice Rack • 1 Door



- Spice Rack Kit packaged separately for field installation
- Position adjustable shelves prior to installation
- Kit in natural finish solid wood features chrome rails and three fixed shelves
- Must be ordered as hinged left or right

APC
CCH
FE
ID
MI
PE

#### 12" DEEP

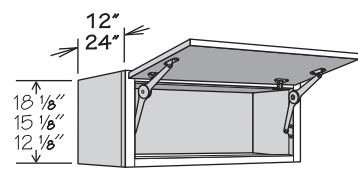
**42"H - 3 Shelves**  
W1542 SR  
W1842 SR  
W2142 SR

**39"H - 3 Shelves**  
W1539 SR  
W1839 SR  
W2139 SR

**36"H - 2 Shelves**  
W1536 SR  
W1836 SR  
W2136 SR

**30"H - 2 Shelves**  
W1530 SR  
W1830 SR  
W2130 SR

### Wall Top Hinge • 1 Door



- Features one pair of factory installed, field adjustable lid stays that supports door securely at any angle up to 105°
- Cabinet can be flipped to open downwards and lid stay can be adjusted to support door
- Door rail and stile configuration and insert panel grain direction will differ from standard wall cabinets, except Lubbock Duraform (Breeze and Drift)
- Lubbock Duraform (Breeze and Drift) features a door with vertical grain direction to match standard wall cabinets
- Specialty Door cabinets (SD) feature Matching Interior standard and require a specialty door selection
- MFD not available on Wall Top Hinge Specialty Door cabinets
- 24" deep cabinets must be installed by:
  - » Securely attaching to studs in back wall and both sides or to studs in back wall, one side and top (e.g. two adjacent cabinets or one adjacent cabinet and a wall)
  - » And must be either stacked, floor mounted or installed over a refrigerator

APC
FE
ID
MI
PE
RD
VDO

#### 12" DEEP

**18"H - No Shelf**  
WTH3018 ■ ◆  
WTH3618 ■ ◆  
WTH3018 SD ◆  
WTH3618 SD ◆

**15"H - No Shelf**  
WTH3015 ■ ◆  
WTH3615 ■ ◆  
WTH3015 SD ◆  
WTH3615 SD ◆

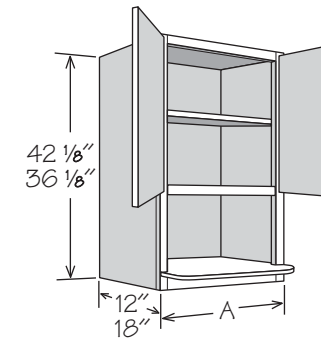
**12"H - No Shelf**  
WTH4212 ■  
WTH4212 SD

#### 24" DEEP

**18"H - No Shelf**  
WTH3018 X 24 DP ■  
WTH3618 X 24 DP ■  
WTH3018 X 24 DP SD  
WTH3618 X 24 DP SD

**15"H - No Shelf**  
WTH3015 X 24 DP ■  
WTH3615 X 24 DP ■  
WTH3015 X 24 DP SD  
WTH3615 X 24 DP SD

### Wall Microwave Cabinets • 2 Butt Doors



42" High Shown

- Must be installed between two adjacent cabinets or a cabinet and a wall
- Cabinet interior and microwave shelf are finished to match cabinet box exterior
- 3/4" plywood microwave shelf included
- Designed to accommodate countertop style microwave
- Refer to appliance manufacturer's specifications for adequate clearances
- 36" high wall cabinets are not drilled for adjustable shelf

APC
CCH
FE
PE
RD
VDO

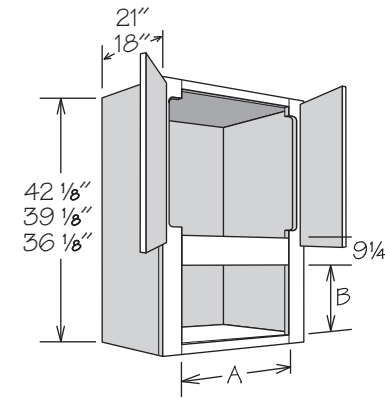
12" DEEP	LOWER FRAME OPENING			
	A	WIDTH	HEIGHT	DEPTH
<b>36"H - No Shelf</b>				
WMSC271236 BUTT	27"	23 3/4"	18 5/8"	17 3/4"
WMSC301236 BUTT	30"	26 3/4"	18 5/8"	17 3/4"
WCMSC241236 BUTT	24"	20 3/4"	15 5/8"	17 3/4"
WCMSC271236 BUTT	27"	23 3/4"	15 5/8"	17 3/4"

#### 18" DEEP

<b>42"H - 1 Shelf</b>				
WMSC271842 BUTT	27"	23 3/4"	15 1/4"	23 3/4"
<b>36"H - No Shelf</b>				
WMSC271836 BUTT	27"	23 3/4"	18 5/8"	23 3/4"

### Microwave Wall Cabinets • 2 Butt Doors

**NEW!** SIZES



42" High Shown

- Must be installed between two cabinets or a cabinet and a wall
- Designed to accommodate microwaves with trim kit
- A cutout exists in the door area where the 3/8" stiles are routed to 1 5/8"
- Refer to appliance manufacturers specifications for adequate clearances
- Not drilled for adjustable shelf

APC
CCH
FE
ID
MI
PE
RD

18" DEEP	A		B		B	
	ACTUAL	MAX.	ACTUAL	MAX. (FOL)	MAX. (POL)	
<b>42"H - No Shelf</b>						
WMC301842 BUTT	23 3/4"	28"	12 1/4"	19 1/2"	20"	
<b>39"H - No Shelf</b>						
WMC271839 BUTT	20 3/4"	25"	11 3/4"	19 1/2"	20"	
WMC301839 BUTT	23 3/4"	28"	11 3/4"	19 1/2"	20"	
<b>36"H - No Shelf</b>						
WMC271836 BUTT	20 3/4"	25"	11 3/4"	19 1/2"	20"	
WMC301836 BUTT	23 3/4"	28"	11 3/4"	19 1/2"	20"	

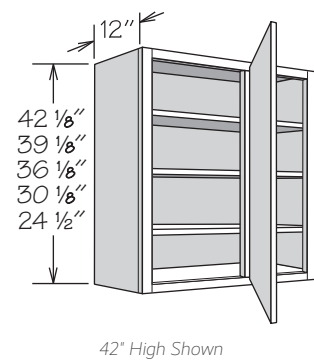
#### 21" DEEP

<b>42"H - No Shelf</b>					
WMC302142 BUTT	23 3/4"	28"	12 1/4"	19 1/2"	20"
<b>39"H - No Shelf</b>					
WMC272139 BUTT	20 3/4"	25"	11 3/4"	19 1/2"	20"
WMC302139 BUTT	23 3/4"	28"	11 3/4"	19 1/2"	20"

#### 36"H - No Shelf

WMC272136 BUTT	20 3/4"	25"	11 3/4"	19 1/2"	20"
WMC302136 BUTT	23 3/4"	28"	11 3/4"	19 1/2"	20"

### Blind Wall Cabinet • 1 Door



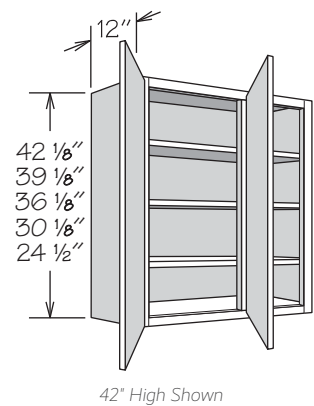
- Cabinet shown as right indicating blind opening is on the right side of cabinet (must be ordered as left or right)
- Includes 1/8" panel to cover blind opening (field trim and install)
- Refer to Blind Wall Cabinet Installation Chart for specifications
- Must order Universal Filler separately
- Specialty Door cabinets (SD) feature Matching Interior standard and require a specialty door selection
- Center shelf support provided for cabinets 30" or wider

- APC
- CCH
- CFO
- FE
- ID
- MI ■
- PE
- RD
- VDO ■

#### 12" DEEP

42"H • 3 Shelves	39"H • 3 Shelves	36"H • 2 Shelves	30"H • 2 Shelves	24"H • 1 Shelf
BLW24/2742 ■	BLW24/2739 ■	BLW24/2736 ■	BLW24/2730 ■	BLW24/2724 ■
BLW30/3342 ■	BLW30/3339 ■	BLW30/3336 ■	BLW27/3030 ■	BLW27/3024 ■
BLW33/3642 ■	BLW33/3639 ■	BLW33/3636 ■	BLW30/3330 ■	BLW30/3324 ■
BLW24/2742 SD	BLW24/2739 SD	BLW24/2736 SD	BLW33/3630 ■	BLW33/3624 ■
BLW30/3342 SD	BLW30/3339 SD	BLW30/3336 SD	BLW36/3930 ■	BLW24/2724 SD
BLW33/3642 SD	BLW33/3639 SD	BLW33/3636 SD	BLW24/2730 SD	BLW27/3024 SD
			BLW27/3030 SD	BLW30/3324 SD
			BLW30/3330 SD	BLW33/3624 SD
			BLW33/3630 SD	

### Blind Wall Cabinet • 2 Butt Doors



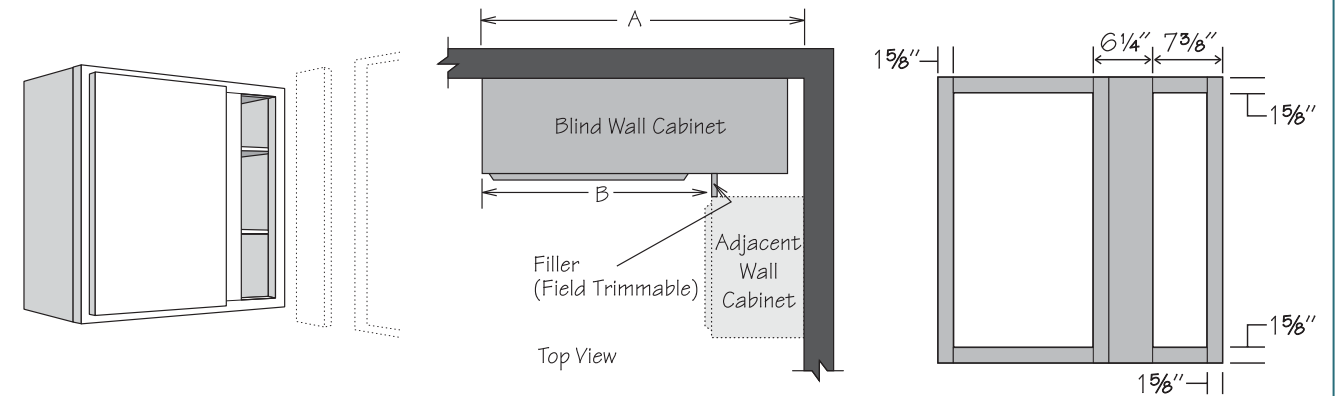
- Cabinet shown as right indicating blind opening is on the right side of cabinet (can be reversed in the field)
- Includes 1/8" panel to cover blind opening (field trim and install)
- Refer to Blind Wall Cabinet Installation Chart for specifications
- Must order Universal Filler separately
- Specialty Door cabinets (SD) feature Matching Interior standard and require a specialty door selection
- Center shelf support provided

- APC
- CCH
- CFO
- FE
- ID ◆
- MI ■
- PE
- RD
- VDO ■

#### 12" DEEP

42"H • 3 Shelves	39"H • 3 Shelves	36"H • 2 Shelves	30"H • 2 Shelves	24"H • 1 Shelf
BLW36/3942 BUTT ■ ◆	BLW36/3939 BUTT ■ ◆	BLW36/3936 BUTT ■ ◆	BLW36/3930 BUTT ■ ◆	BLW36/3924 BUTT ■ ◆
BLW39/4242 BUTT ■	BLW39/4239 BUTT ■	BLW39/4236 BUTT ■	BLW39/4230 BUTT ■	BLW36/3924 BUTT SD ◆
BLW42/4542 BUTT ■	BLW42/4539 BUTT ■	BLW42/4536 BUTT ■	BLW42/4530 BUTT ■	
BLW36/3942 BUTT SD ◆	BLW36/3939 BUTT SD ◆	BLW36/3936 BUTT SD ◆	BLW45/4830 BUTT ■	
BLW39/4242 BUTT SD	BLW39/4239 BUTT SD	BLW39/4236 BUTT SD	BLW48/5130 BUTT ■	
BLW42/4542 BUTT SD	BLW42/4539 BUTT SD	BLW42/4536 BUTT SD	BLW36/3930 BUTT SD ◆	
			BLW39/4230 BUTT SD	
			BLW42/4530 BUTT SD	
			BLW45/4830 BUTT SD	
			BLW48/5130 BUTT SD	

### Blind Wall Cabinet Installation Chart



#### Full Overlay Door Styles

Full Overlay door styles require decorative hardware, which has been calculated into dimensions.

CABINET	ACTUAL CABINET WIDTH	DOOR OPENING	DOOR(S)	WALL SPACE A			EXPOSED FRAME B	
				MINIMUM SPACE*	MAXIMUM PULL	MAXIMUM SPACE	MINIMUM SPACE*	MAXIMUM SPACE
BLW24/27_	24"	8 3/4"	DR12_	26 1/4"	1 3/4"	28"	14 1/4"	16"
BLW27/30_	27"	11 3/4"	DR15_	29 1/4"	1 3/4"	31"	17 1/4"	19"
BLW30/33_	30"	14 3/4"	DR18_	32 1/4"	1 3/4"	34"	20 1/4"	22"
BLW33/36_	33"	17 3/4"	DR21_	35 1/4"	1 3/4"	37"	23 1/4"	25"
BLW36/3930	36"	20 3/4"	DR2430	38 1/4"	1 3/4"	40"	26 1/4"	28"
BLW36/39_ BUTT	36"	20 3/4"	DR12_ BUTT (2)	38 1/4"	1 3/4"	40"	26 1/4"	28"
BLW39/42_ BUTT	39"	23 3/4"	DR13_ BUTT (2)	41 1/4"	1 3/4"	43"	29 1/4"	31"
BLW42/45_ BUTT	42"	26 3/4"	DR15_ BUTT (2)	44 1/4"	1 3/4"	46"	32 1/4"	34"
BLW45/48_ BUTT	45"	29 3/4"	DR16_ BUTT (2)	47 1/4"	1 3/4"	49"	35 1/4"	37"
BLW48/51_ BUTT	48"	32 3/4"	DR18_ BUTT (2)	50 1/4"	1 3/4"	52"	38 1/4"	40"

\*Dimension requirements do not include optional Overlay Fillers - add 7/8" if Overlay Fillers will be used.

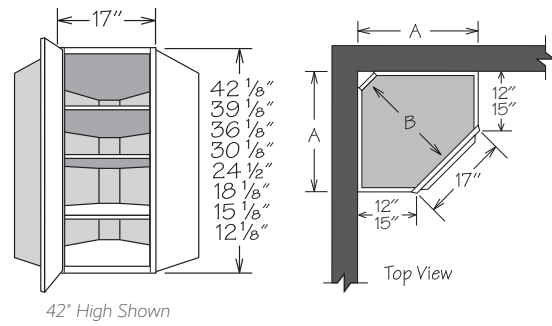
#### Partial Overlay Door Styles

Wall Space A requirements include optional decorative hardware clearance. 1/4" may be deducted if decorative hardware is not used.

CABINET	ACTUAL CABINET WIDTH	DOOR OPENING	DOOR(S)	WALL SPACE A			EXPOSED FRAME B	
				MINIMUM SPACE	MAXIMUM PULL	MAXIMUM SPACE	MINIMUM SPACE	MAXIMUM SPACE
BLW24/27_	24"	8 3/4"	DR12_	25 3/8"	2 5/8"	28"	13 3/8"	16"
BLW27/30_	27"	11 3/4"	DR15_	28 3/8"	2 5/8"	31"	16 3/8"	19"
BLW30/33_	30"	14 3/4"	DR18_	31 3/8"	2 5/8"	34"	19 3/8"	22"
BLW33/36_	33"	17 3/4"	DR21_	34 3/8"	2 5/8"	37"	22 3/8"	25"
BLW36/3930	36"	20 3/4"	DR2430	37 3/8"	2 5/8"	40"	25 3/8"	28"
BLW36/39_ BUTT	36"	20 3/4"	DR12_ BUTT (2)	37 3/8"	2 5/8"	40"	25 3/8"	28"
BLW39/42_ BUTT	39"	23 3/4"	DR13_ BUTT (2)	40 3/8"	2 5/8"	43"	28 3/8"	31"
BLW42/45_ BUTT	42"	26 3/4"	DR15_ BUTT (2)	43 3/8"	2 5/8"	46"	31 3/8"	34"
BLW45/48_ BUTT	45"	29 3/4"	DR16_ BUTT (2)	46 3/8"	2 5/8"	49"	34 3/8"	37"
BLW48/51_ BUTT	48"	32 3/4"	DR18_ BUTT (2)	49 3/8"	2 5/8"	52"	37 3/8"	40"

## Corner Wall Cabinets

**NEW!** SIZES



- Must be ordered as hinged left or right
- Door opening is 11 3/4" wide
- Features a DR15\_ door
- Specialty Door cabinets (SD) feature Matching Interior standard and require a specialty door selection
- 24" high cabinet's shelf is adjustable, not removable
- Glass Shelf Kit is not available for 18" or 24" high cabinets

	A	B
12" Deep	24"	21 1/2"
15" Deep	27"	25 3/4"

APC
CCH
FE
MI
PE
VDO

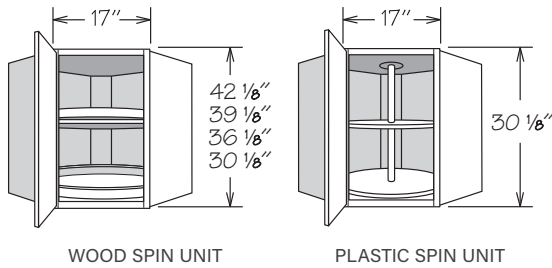
### 12" DEEP

42"H • 3 Shelves	39"H • 3 Shelves	36"H • 2 Shelves	30"H • 2 Shelves	24"H • 1 Shelf	18"H • No Shelf
CW2442 ■	CW2439 ■	CW2436 ■	CW2430 ■	CW2424 ■	CW2418 ■
CW2442 SD	CW2439 SD	CW2436 SD	CW2430 SD	CW2424 SD	CW2418 SD
15"H • No Shelf	12"H • No Shelf				
CW2415 ■	CW2412 ■				
CW2415 SD	CW2412 SD				

### 15" DEEP

42"H • 3 Shelves	39"H • 3 Shelves	36"H • 2 Shelves	30"H • 2 Shelves	24"H • 1 Shelf	18"H • No Shelf
CW2742 ■	CW2739 ■	CW2736 ■	CW2730 ■	CW2724 ■	CW2718 ■
CW2742 SD	CW2739 SD	CW2736 SD	CW2730 SD	CW2724 SD	CW2718 SD
15"H • No Shelf	12"H • No Shelf				
CW2715 ■	CW2712 ■				
CW2715 SD	CW2712 SD				

## Corner Wall Cabinets • Spin Units



- Must be ordered as hinged left or right
- Door opening is 11 3/4" wide
- Features a DR15\_ door
- Wood Spin Units feature:
  - » One fixed spin unit mounted on cabinet floor and all other spin units are attached to 3/4" adjustable shelf
  - » Natural wood finish with 1" lip
- Plastic Spin Units feature:
  - » Two spin shelves with pole (top shelf adjustable)
  - » White high strength plastic shelves
- Specialty Door cabinets (SD) feature Matching Interior standard and require a specialty door selection

### WOOD SPIN UNIT

42"H • 3 Spin Units
CWS2442 WD ■
CWS2442 WD SD
39"H • 3 Spin Units
CWS2439 WD ■
CWS2439 WD SD

36"H • 2 Spin Units
CWS2436 WD ■
CWS2436 WD SD

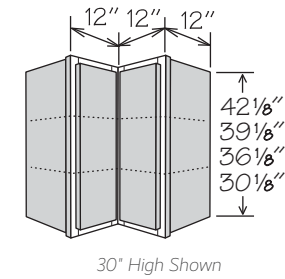
30"H • 2 Spin Units
CWS2430 WD ■
CWS2430 WD SD

### PLASTIC SPIN UNIT

30"H • 2 Spin Units
CWS2430 ■
CWS2430 SD

APC
CCH
FE
MI
PE
VDO

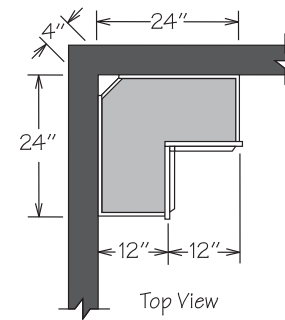
## Wall Easy Reach



- Stile width and outside profile of both doors at door-to-door hinge may vary from standard dimension and profile for proper door function
- Must be ordered as hinged left or right
- Doors open 170°

### 12" DEEP

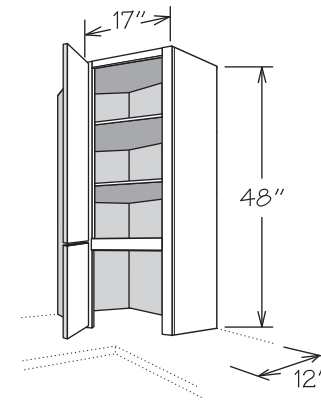
42"H • 3 Shelves	36"H • 2 Shelves
WER2442	WER2436
39"H • 3 Shelves	30"H • 2 Shelves
WER2439	WER2430



APC
FE
MI
PE

## Corner Wall Cabinet • Appliance Garage

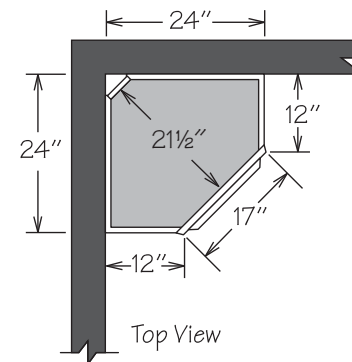
**NEW!** PRODUCT



- Features two doors:
  - » (1) DR1530
  - » (1) DR1518
- 11 3/4" wide x 26 7/8" high top door opening
- 11 3/4" wide x 16 1/4" high appliance garage opening
- Specialty Door option only applies to top door - DR1518 SD can be ordered separately for appliance garage
- Specialty Door cabinets (SD) feature Matching Interior standard and require a specialty door selection

### 12" DEEP

48"H • 2 Shelves
CWD2448 ■
CWD2448 SD

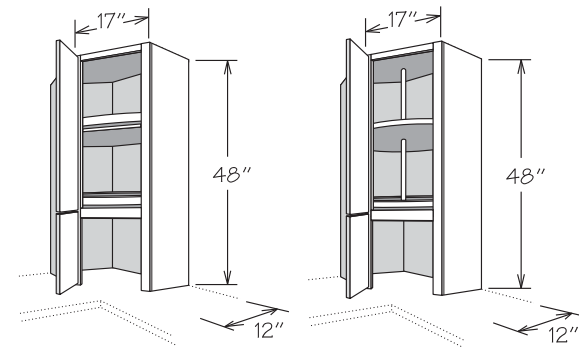


APC
FE
MI
PE
VDO

## Corner Wall Cabinets • Appliance Garage and Spin Units

**NEW!** **PRODUCT**

APC  
FE  
MI  
PE  
VDO



WOOD SPIN UNIT      PLASTIC SPIN UNIT

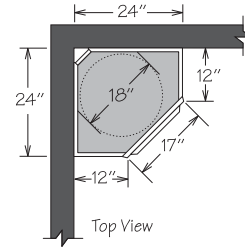
- Features two doors:
  - » (1) DR1530
  - » (1) DR1518
- Wood Spin Units feature:
  - » One fixed spin unit mounted on cabinet floor
  - » One spin unit attached to 3/4" adjustable shelf
  - » Natural wood finish with 1" lip
- 11 3/4" wide x 26 7/8" high top door opening
- 11 3/4" wide x 16 1/4" high appliance garage opening
- Specialty Door option only applies to top door - DR1518 SD can be ordered separately for appliance garage
- Specialty Door cabinets (SD) feature Matching Interior standard and require a specialty door selection

### WOOD SPIN UNIT

**48"H • 2 Spin Units**  
CWDS2448 WD ■  
CWDS2448 WD SD

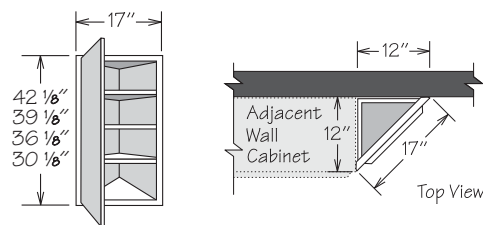
### PLASTIC SPIN UNIT

**48"H • 2 Spin Units**  
CWDS2448 ■  
CWDS2448 SD



Top View

## Wall End Angle • 1 Door



42" High Shown

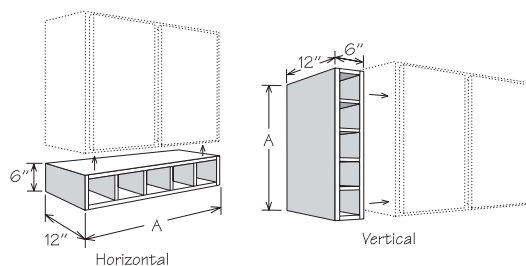
- Requires 12" x 12" space
- Features a DR15\_ door
- Must be ordered as hinged left or right
- Specialty Door cabinets (SD) feature Matching Interior standard and require a specialty door selection

APC  
CCH  
MI  
PE  
VDO

### 12" DEEP

<b>42"H • 3 Shelves</b> WEA1242 ■ WEA1242 SD	<b>39"H • 3 Shelves</b> WEA1239 ■ WEA1239 SD	<b>36"H • 2 Shelves</b> WEA1236 ■ WEA1236 SD	<b>30"H • 2 Shelves</b> WEA1230 ■ WEA1230 SD
--	--	--	--

## Storage Cube



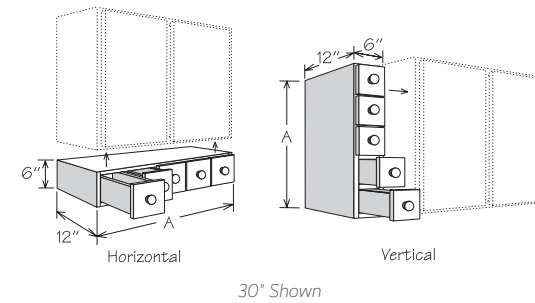
30" Shown

- Designed for horizontal or vertical installation
- Vertical installation may require the use of fillers and/or molding which must be ordered separately
- Opening size is 5" wide x 4 1/2" high (horizontal) which will accommodate most wine bottles and various other storage needs
- All door styles feature 3/4" veneered engineered wood finished to match cabinet box exterior
- Flush sides with no face frame or 1/4" reveals
- Interior finished to match cabinet box exterior
- Cannot be retrofitted with Spice Drawer Cabinet drawers

### 12" DEEP

12" DEEP	A	NUMBER OF OPENINGS
SC30	30"	5
SC36	36"	6
SC42	42"	7

## Spice Drawer Cabinet



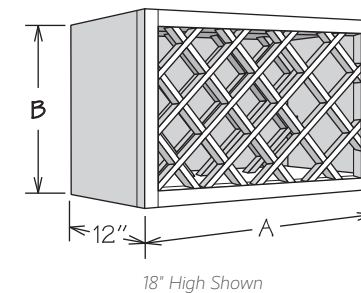
30" Shown

- Designed for horizontal or vertical installation
- Vertical installation may require the use of fillers and/or molding which must be ordered separately
- All door styles feature veneered engineered wood with 1/2" thick slab drawer fronts
- Flush sides with no face frame or 1/4" reveals
- All wood drawer body with dovetail construction
- Breeze, Linen, and Pewter door styles feature white porcelain knobs and all other finishes feature matching wooden knobs
- Duraform door styles feature drawer fronts finished to match cabinet box exterior

### 12" DEEP

12" DEEP	A	NUMBER OF DRAWERS
SDC18	18"	3
SDC24	24"	4
SDC30	30"	5
SDC36	36"	6

## Wine Rack Cabinet



18" High Shown

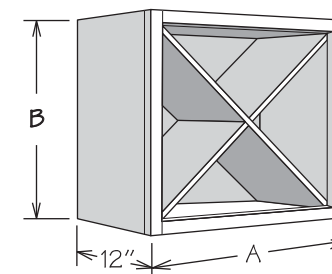
- Interior finished to match cabinet box exterior
- Wine bottle opening is 4" x 4"
- Cabinets must be installed between two adjacent cabinets, one cabinet and a wall, or secured to a cabinet directly above or below

APC  
FE  
PE

### 12" DEEP

12" DEEP	A	B	NUMBER OF BOTTLES
<b>18"H</b>			
WRC3018	30"	18 1/8"	11
<b>15"H</b>			
WRC3015	30"	15 1/8"	10
WRC3615	36"	15 1/8"	13

## Wine Storage Cabinet



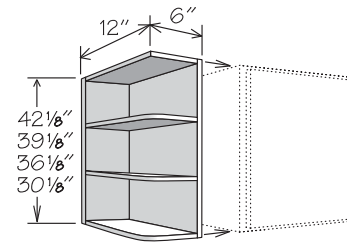
- Interior finished to match cabinet box exterior
- Standard cabinet sides are 1/2" engineered wood
- All door styles feature 3/4" plywood partitions
- Accent molding recommended - order separately
- Cabinets must be installed between two adjacent cabinets, one cabinet and a wall, or secured to a cabinet directly above or below

APC  
FE  
PE

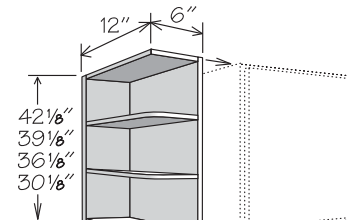
### 12" DEEP

12" DEEP	A	B	NUMBER OF BOTTLES
<b>24"H</b>			
WSC2424	24"	24 1/2"	30
<b>18"H</b>			
WSC1818	18"	18 1/8"	12

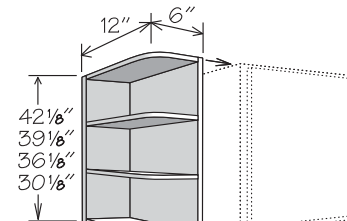
### Shelf End Wall



SQUARE TOP, ROUND BOTTOM (SQT)  
30" High Shown



SQUARE TOP & BOTTOM (SQTb)  
30" High Shown



ROUND TOP & BOTTOM (SEW)  
30" High Shown

- Interior finished to match cabinet box exterior
- Features 1/2" veneered engineered wood back and side
- Top, bottom, and shelves are 3/4" veneered engineered wood
- Rounded shelves feature a 3" radius
- 1/4" screw recommended from inside of adjacent cabinet for installation
- Rounded bottom on SEW\_ SQT does not allow cabinet to be reversed in the field or installation of bottom molding

#### 12" DEEP

##### 42"H • 3 Shelves

- SEW42L SQT
- SEW42R SQT
- SEW42 SQTb
- SEW42

##### 39"H • 3 Shelves

- SEW39L SQT
- SEW39R SQT
- SEW39 SQTb
- SEW39

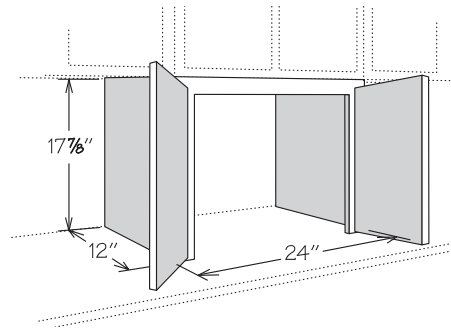
##### 36"H • 2 Shelves

- SEW36L SQT
- SEW36R SQT
- SEW36 SQTb
- SEW36

##### 30"H • 2 Shelves

- SEW30L SQT
- SEW30R SQT
- SEW30 SQTb
- SEW30

### Straight Appliance Garage



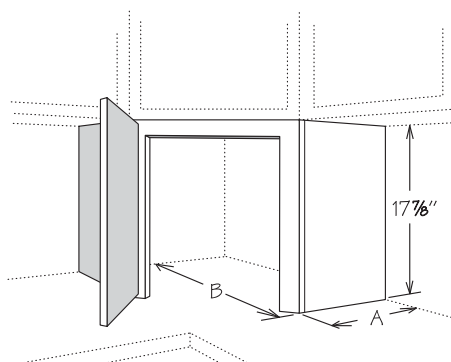
- Installs below minimum 24" wide wall cabinet
- 20 3/4" wide x 15 5/8" high opening
- Shipped with end panels unattached
- No bottom rail

- APC
- CCH
- FE
- ID
- MI
- PE
- RD
- VDO

#### 12" DEEP

- AGSD24 BUTT
- AGSD24 BUTT SD

### Corner Appliance Garage



- Installs below CW and CWS Corner Wall cabinets
- 11 3/4" wide x 15 5/8" high opening
- Shipped with end panels unattached
- No bottom rail

- APC
- CCH
- FE
- MI
- PE
- VDO

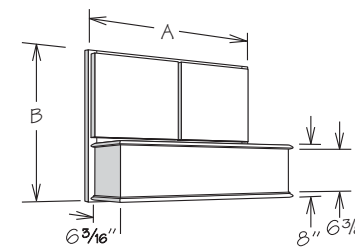
#### 12" DEEP

	A	B
AGD2418	12"	24"
AGD2418 SD	12"	24"

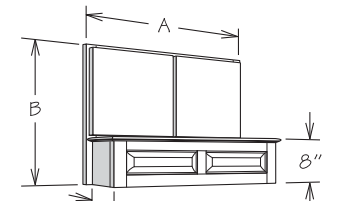
#### 15" DEEP

	A	B
AGD2718	15"	27"
AGD2718 SD	15"	27"

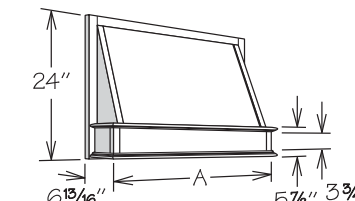
### Wall Range Hood



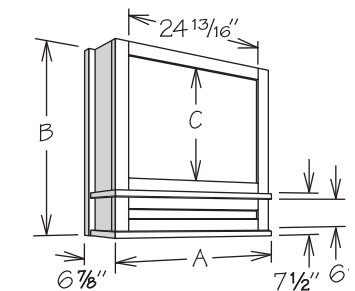
STRAIGHT VALANCE \_\_SV



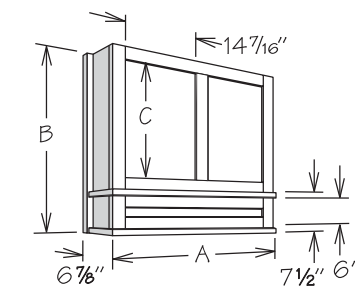
RAISED PANEL \_\_RP



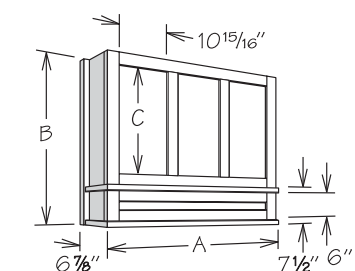
CLASSIC TAPERED \_\_CT



DECORATIVE MANTLE • 1 PANEL



DECORATIVE MANTLE • 2 PANEL



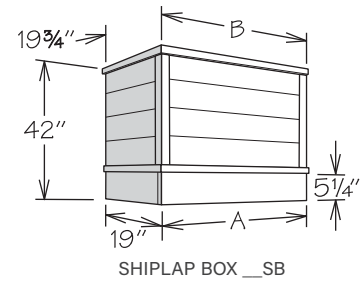
DECORATIVE MANTLE • 3 PANEL

- Must be installed between two wall cabinets
- Silver metallic liner included
- Order range hood blower separately - not for use with RHVENT 960
- All finished surfaces will match cabinet box exterior - glazed finishes will be glazed
- Straight Valance and Raised Panel Range Hoods feature:
  - » Center stile and functioning BUTT doors allow for duct work installation and wiring
  - » Doors will match door style ordered
  - » For Duraform door styles, only the doors will be wrapped

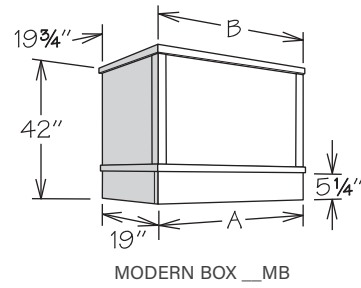
	A	B	C	DOORS
<b>Straight Valance</b>				
WRH3024 SV	30"	24"	—	(2) DR1515 BUTT
WRH3624 SV	36"	24"	—	(2) DR1815 BUTT
WRH3027 SV	30"	27"	—	(2) DR1518 BUTT
WRH3627 SV	36"	27"	—	(2) DR1818 BUTT
WRH3030 SV	30"	30"	—	(2) DR1521 BUTT
WRH3630 SV	36"	30"	—	(2) DR1821 BUTT
<b>Raised Panel</b>				
WRH3024 RP	30"	24"	—	(2) DR1515 BUTT
WRH3624 RP	36"	24"	—	(2) DR1815 BUTT
WRH3027 RP	30"	27"	—	(2) DR1518 BUTT
WRH3627 RP	36"	27"	—	(2) DR1818 BUTT
WRH3030 RP	30"	30"	—	(2) DR1521 BUTT
WRH3630 RP	36"	30"	—	(2) DR1821 BUTT
<b>Classic Tapered</b>				
WRH3024 CT	30"	—	—	—
WRH3624 CT	36"	—	—	—
<b>Decorative Mantle • 1 Panel</b>				
WRH3024 DM	30"	24"	12 5/16"	—
WRH3030 DM	30"	30"	18 5/16"	—
WRH3036 DM	30"	36"	24 5/16"	—
<b>Decorative Mantle • 2 Panel</b>				
WRH3624 DM	36"	24"	12 5/16"	—
WRH3630 DM	36"	30"	18 5/16"	—
WRH3636 DM	36"	36"	24 5/16"	—
<b>Decorative Mantle • 3 Panel</b>				
WRH4236 DM	42"	36"	24 5/16"	—



## Range Hood • Integrated Chimney



- All door styles are finished to match cabinet box exterior - glazed finishes will be glazed
- Wall mounted installation only
- Silver metallic liner included - liner specific to range hood and blower ordered
  - » If no blower is ordered, RHLINER\_S will be included
- Order range hood blower separately
- Field trimmable in height to 24"
- RH\_ SB and RH\_ MB include field installed corner molding and removable top molding
- Features a french cleat install system which requires 1" gap between hood and ceiling - molding recommended to cover the gap



### Shiplap Box

	A	B
RH3642 SB	36"	37 1/2"
RH4242 SB	42"	43 1/2"
RH4842 SB	48"	49 1/2"

### Modern Box

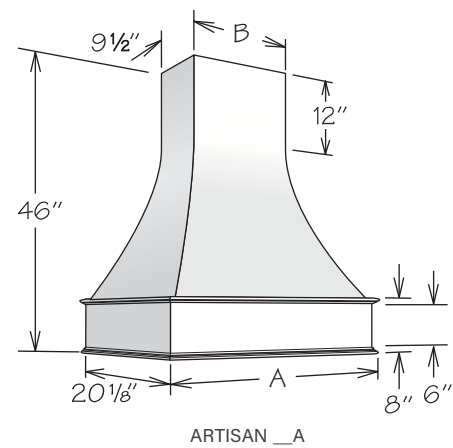
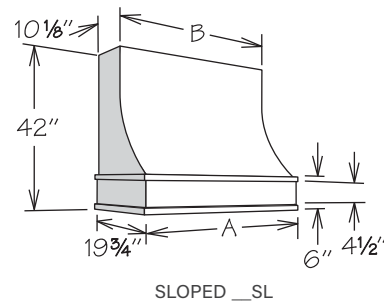
RH3642 MB	36"	37 1/2"
RH4242 MB	42"	43 1/2"
RH4842 MB	48"	49 1/2"

### Sloped

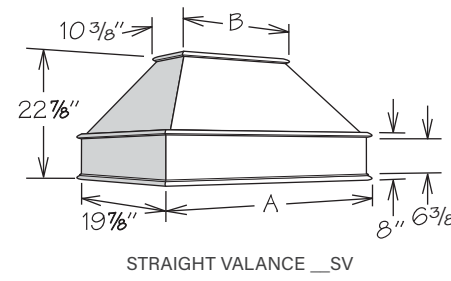
RH3642 SL	37 9/16"	34 1/2"
RH4242 SL	43 9/16"	40 1/2"

### Artisan

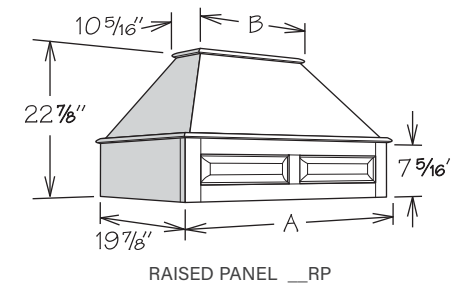
RH3646 A	38 5/16"	17"
RH4246 A	44 5/16"	23"



## Range Hood

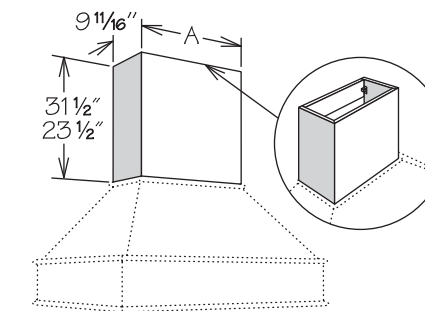


- All door styles are finished to match cabinet box exterior - glazed finishes will be glazed
- Wall mounted installation only
- Order range hood blower separately
- Silver metallic liner included - liner is specific to range hood and blower ordered
  - » If no blower is ordered RHLINER\_S will be included
- May be accessorized with Range Hood Chimney - order separately



	A	B
<b>Straight Valance</b>		
RH3624 SV	37 3/4"	18 3/4"
RH4224 SV	43 3/4"	24 3/4"
RH4824 SV	49 3/4"	30 3/4"
<b>Raised Panel</b>		
RH3624 RP	37 3/4"	18 9/16"
RH4224 RP	43 3/4"	24 9/16"
RH4824 RP	49 3/4"	30 9/16"

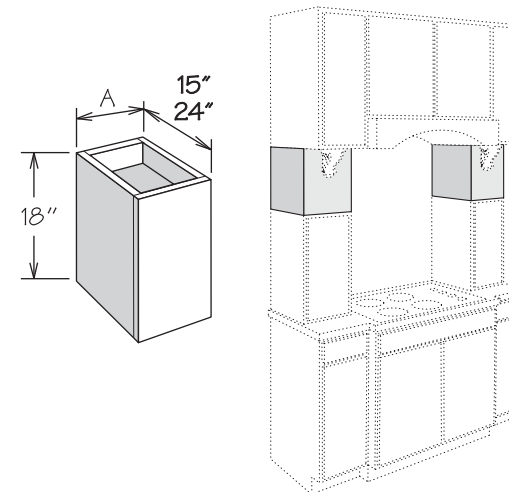
## Range Hood Chimney



- Field trimmable in height
- All door styles feature 3/4" solid wood finished to match cabinet box exterior
- Features two chimney mounting blocks with metal fasteners
- For use with Straight Valance or Raised Panel Range Hoods

23 1/2" HIGH	31 1/2" HIGH	A
RHC3623	RHC3631	17 3/8"
RHC4223	RHC4231	23 3/8"
RHC4823	RHC4831	29 3/8"

## Plain Box Filler

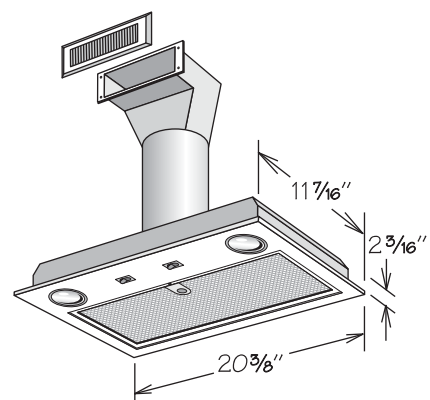


- Veneered engineered wood
- Features 1/4" reveal
- Trimmable in height to 14 1/8" tall
- Reversible for left or right installation

24" DEEP	15" DEEP	A
WPB91824	WPB91815	9"
WPB121824	WPB121815	12"



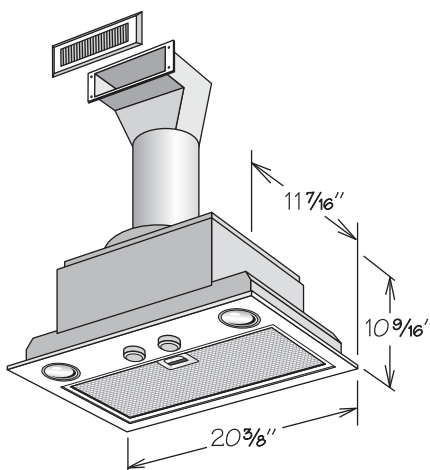
### Range Hood Blower • 260 CFM Recirculating



- Designed for recirculating installation where exhaust is vented back into kitchen
- Includes duct work, metal grille and clips – field assembly required
- Stainless steel finish
- 2-Speed fan provides 260 CFM on high
- Sound level of 7.0 sones on high
- Features quick-release dishwasher safe aluminum mesh filter
- Includes two 2.8W bright LED lights
- Metal grille measures 11 $\frac{7}{16}$ " x 5 $\frac{5}{16}$ "
- 10" x 3" cutout required for metal grille
- Installation and care instructions included
- Liner not included

RHVENT 260R

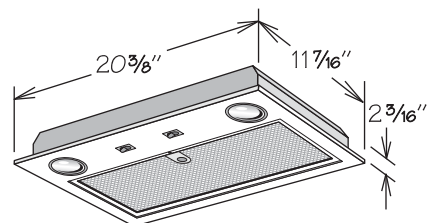
### Range Hood Blower • 400 CFM Recirculating



- Designed for recirculating installation where exhaust is vented back into kitchen
- Includes duct work, metal grille and clips – field assembly required
- Stainless steel finish
- Energy Star rated
- Features 3-speed rotary switch
- Fan provides 400 CFM on high
- Sound level of 6.0 sones on high
- Features quick-release dishwasher safe aluminum mesh filter
- Includes two 2.8W bright LED lights
- Unit has master on-off switch and heat sentry will automatically turn unit on when excessive heat is detected
- Metal grille measures 11 $\frac{7}{16}$ " x 5 $\frac{5}{16}$ "
- 10" x 3" cutout required for metal grille
- Installation and care instructions included
- Liner not included

RHVENT 400R

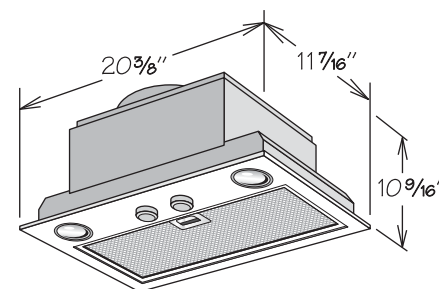
### Range Hood Blower • 260 CFM Vented



- Designed for vented installation where exhaust is vented to exterior of home
- Stainless steel finish
- Requires 7" round duct for venting to exterior (not included)
- 2-Speed fan provides 260 CFM on high
- Sound level of 7.0 sones on high
- Features quick-release dishwasher safe aluminum mesh filter
- Includes two 2.8W bright LED lights
- Installation and care instructions included
- Liner not included

RHVENT 260

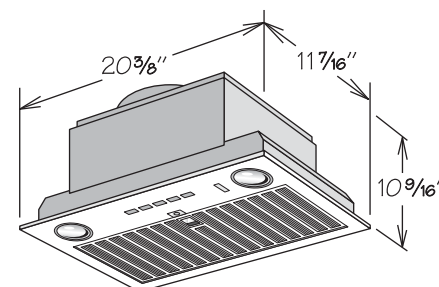
### Range Hood Blower • 400 CFM Vented



- Designed for vented installation where exhaust is vented to exterior of home
- Stainless steel finish
- Energy Star rated
- Features 3-speed rotary switch
- Requires vertical 6" round or rectangular 3 $\frac{1}{4}$ " x 10" duct for venting (not included)
- Fan provides 400 CFM on high using the rectangular duct and 390 CFM using the round duct
- Sound level of 6.0 sones on high
- Features quick-release dishwasher safe aluminum mesh filter
- Includes two 2.8W bright LED lights
- Unit has master on-off switch and heat sentry will automatically turn unit on when excessive heat is detected
- Installation and care instructions included
- Liner not included

RHVENT 400

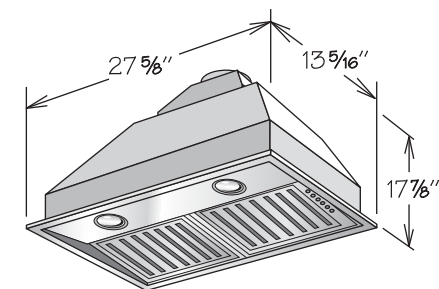
### Range Hood Blower • 600 CFM Vented



- Designed for vented installation where exhaust is vented to exterior of home
- Stainless steel finish
- Features 4-speed back-lit Electronic Soft Touch controls
- Fan provides 600 CFM using the round duct and 580 CFM on high using the rectangular duct
- Sound level of 9.5 sones on high
- Features quick-release dishwasher safe baffle-style filter with clean filter reminder
- Includes two 3W bright LED lights with 3 lighting levels
- Unit has master on-off switch and heat sentry will automatically turn unit on when excessive heat is detected
- Auto-Sensing option sets CFM to correct level automatically
- Wifi enabled option allows for voice control
- Requires 8" round, 6" round, or 3 $\frac{1}{4}$ " x 10" venting to exterior (not included)
- Installation and care instructions included
- Liner not included

RHVENT 600

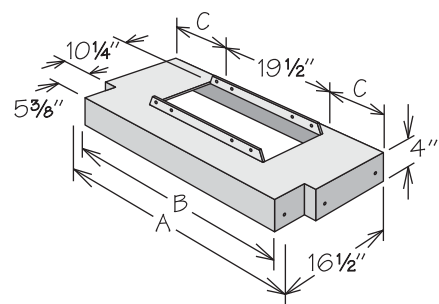
### Range Hood Blower • 960 CFM Vented



- Designed for vented installation where exhaust is vented to exterior of home
- Durable stainless steel with brushed finish
- Features a 4-speed push-button control to offer greater CFM flexibility; 960 CFM, 660 CFM, 480 CFM and 300 CFM
- Centrifugal blower provides 960 CFM air delivery and sound level of 5.1 sones on high
- Includes two 4-watt 12v MR16 LED bulbs - daylight
- Features quick-release dishwasher safe baffle-style filter
- 10 minute delay off timer
- Requires 7" round duct for venting to exterior (not included)
- Installation and care instructions included
- Not designed for use with the following:
  - » Straight Valance Wall Range Hoods
  - » Raised Panel Wall Range Hoods
  - » Classic Tapered Wall Range Hoods
  - » Decorative Mantle Wall Range Hoods
- Liner not included

RHVENT 960

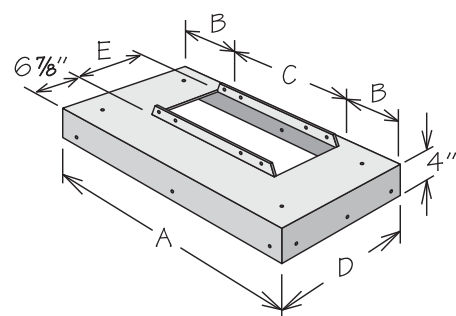
### Tapered Hood Liner



- Liner is silver metallic powder coated metal
- For use with the following Wall Range Hoods:
  - » Straight Valance (WRH\_SV)
  - » Raised Panel (WRH\_RP)
  - » Classic Tapered (WRH\_CT)
  - » Decorative Mantle (WRH\_DM)
- One liner included with range hood

	A	B	C
RHLINER 30	29 <sup>15</sup> / <sub>16</sub> "	26 <sup>3</sup> / <sub>16</sub> "	5 <sup>7</sup> / <sub>32</sub> "
RHLINER 36	35 <sup>15</sup> / <sub>16</sub> "	32 <sup>3</sup> / <sub>16</sub> "	8 <sup>7</sup> / <sub>32</sub> "
RHLINER 42	41 <sup>15</sup> / <sub>16</sub> "	38 <sup>11</sup> / <sub>16</sub> "	11 <sup>7</sup> / <sub>32</sub> "

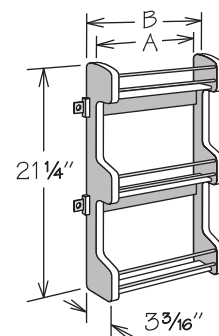
### Straight Valance Hood Liner



- Liner finish is silver metallic powder-coated material
- For use with the following Range Hoods:
  - » Straight Valance (RH\_SV)
  - » Raised Panel (RH\_RP)
  - » Modern Box (RH\_MB)
  - » Shiplap Box (RH\_SB)
  - » Sloped (RH\_SL)
  - » Artisan (RH\_A)
- RHLINER\_S SL1 must be used with RHVENT 960 blower
- RHLINER\_S for use with all blowers except RHVENT 960
- One liner included with range hood (liner is specific to range hood and blower ordered)

	A	B	C	D	E
RHLINER 36S	34 <sup>11</sup> / <sub>32</sub> "	7 <sup>7</sup> / <sub>16</sub> "	19 <sup>1</sup> / <sub>2</sub> "	18 <sup>1</sup> / <sub>4</sub> "	10 <sup>1</sup> / <sub>4</sub> "
RHLINER 42S	40 <sup>11</sup> / <sub>32</sub> "	10 <sup>7</sup> / <sub>16</sub> "	19 <sup>1</sup> / <sub>2</sub> "	18 <sup>1</sup> / <sub>4</sub> "	10 <sup>1</sup> / <sub>4</sub> "
RHLINER 48S	46 <sup>11</sup> / <sub>32</sub> "	13 <sup>7</sup> / <sub>16</sub> "	19 <sup>1</sup> / <sub>2</sub> "	18 <sup>1</sup> / <sub>4</sub> "	10 <sup>1</sup> / <sub>4</sub> "
RHLINER 36S SL1	34 <sup>11</sup> / <sub>32</sub> "	3 <sup>3</sup> / <sub>4</sub> "	26 <sup>13</sup> / <sub>16</sub> "	18 <sup>3</sup> / <sub>16</sub> "	12 <sup>7</sup> / <sub>16</sub> "
RHLINER 42S SL1	40 <sup>11</sup> / <sub>32</sub> "	6 <sup>3</sup> / <sub>4</sub> "	26 <sup>13</sup> / <sub>16</sub> "	18 <sup>3</sup> / <sub>16</sub> "	12 <sup>7</sup> / <sub>16</sub> "
RHLINER 48S SL1	46 <sup>11</sup> / <sub>32</sub> "	9 <sup>3</sup> / <sub>4</sub> "	26 <sup>13</sup> / <sub>16</sub> "	18 <sup>3</sup> / <sub>16</sub> "	12 <sup>7</sup> / <sub>16</sub> "

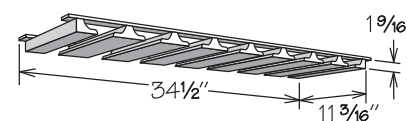
### Spice Rack Kit



- Field installation accessory
- For wall cabinets 30" or higher
- Position cabinet adjustable shelves prior to installation
- Natural finish solid wood with chrome rails
- Three fixed shelves
- SRK15 mounts to 15" wide door
- SRK18 mounts to 18" wide door
- SRK21 mounts to 21" wide door

	A	B
SRK15	9 <sup>1</sup> / <sub>2</sub> "	10 <sup>1</sup> / <sub>2</sub> "
SRK18	12 <sup>1</sup> / <sub>2</sub> "	13 <sup>1</sup> / <sub>2</sub> "
SRK21	15 <sup>1</sup> / <sub>2</sub> "	16 <sup>1</sup> / <sub>2</sub> "

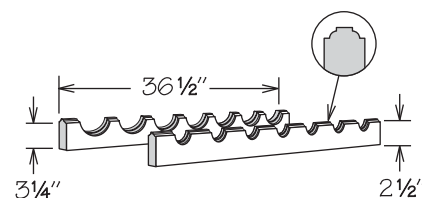
### Stem Glass Holder



- Field trimmable to install below 18", 24", 30", or 36" wide wall cabinet
- All door styles feature solid wood finished to match cabinet box exterior
- Maximum stem glass base is 3 1/2" in diameter
- Not sized to fit modified depth cabinets

SGH36U

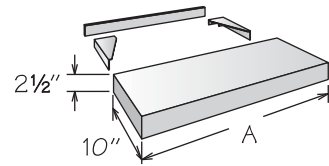
### Wine Rack



- Accommodates seven bottles
- Field trimmable to 24" (five bottles) or 30" (six bottles)
- All door styles feature solid wood finished to match cabinet box exterior

WR36

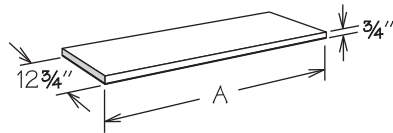
### Floating Shelf



- Not trimmable
- Finished on all sides to match cabinet box exterior
- Features veneered engineered wood top and bottom and solid wood front and sides
- When installed between two cabinets, Furniture Ends (FE) or Wall End Panel (WEP) is recommended for adjacent cabinets
- Must be secured to studs in wall
- Installation instructions, mounting brackets and screws included

10" DEEP	A	MAX. LOAD
FLSH2410	24"	30 lbs.
FLSH3010	30"	37 lbs.
FLSH3610	36"	45 lbs.
FLSH4210	42"	52 lbs.
FLSH4810	48"	60 lbs.

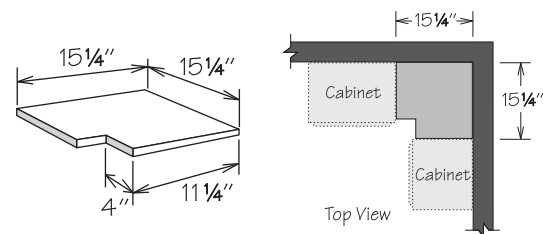
### Finished Shelf



- Standard finished shelves feature veneered engineered wood, edge banded on all sides with top and bottom finished to match cabinet box exterior
- Textured finished shelves feature engineered wood, edge banded on all sides with top and bottom textured-wrapped to match cabinet door - available for Breeze and Drift finishes only
- Field trimmable

STANDARD	TEXTURED	A
FS4812	FS4812 DT	48 1/4"
FS6012	FS6012 DT	60 1/4"
FS7212	FS7212 DT	72 1/4"

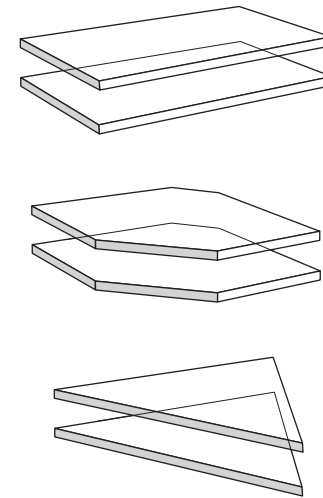
### Blind Corner Closure



- Features 1/2" engineered wood finished with natural woodgrain finish on both sides
- Field trimmable

BLC1515

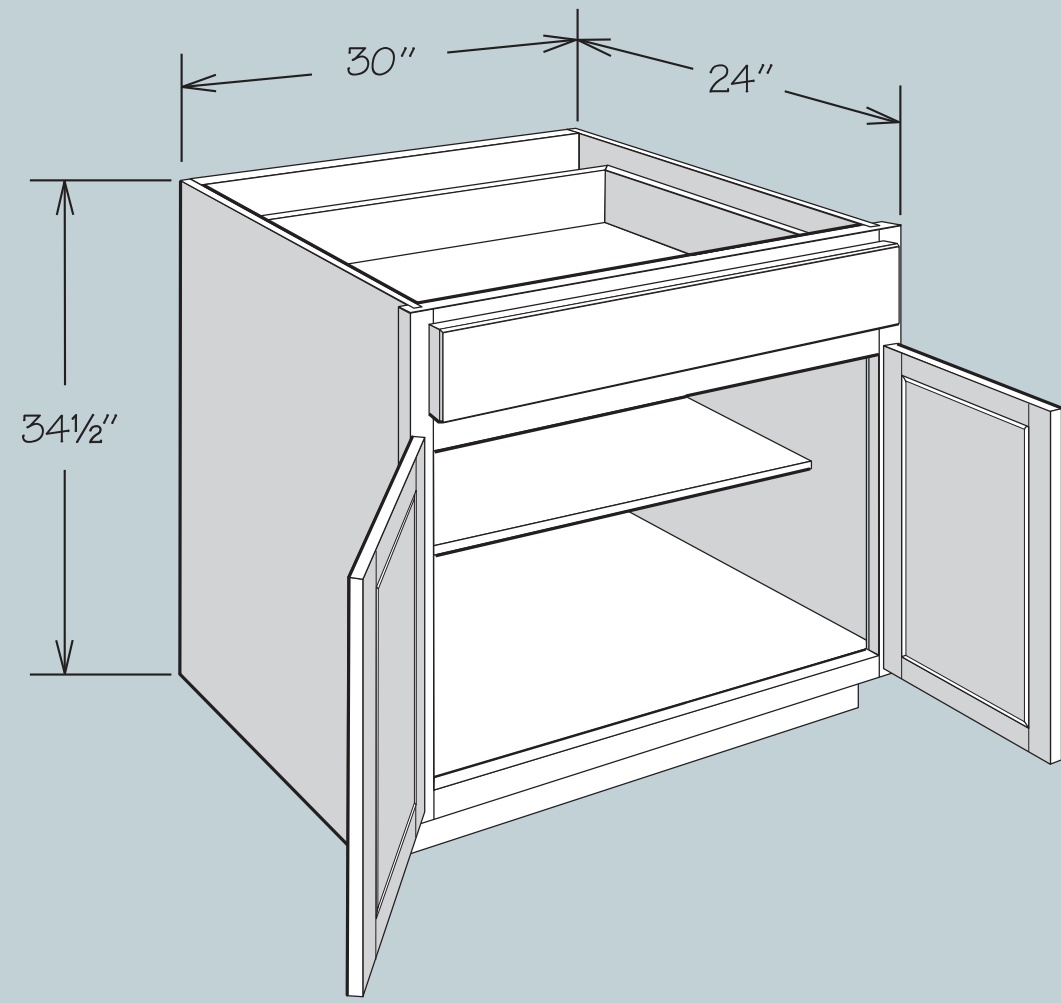
### Glass Shelf Kit



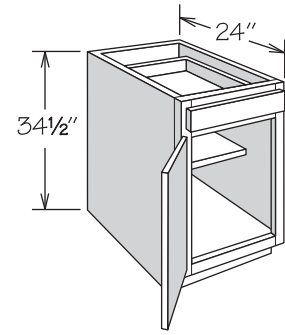
- Glass Shelf Kit includes two 1/4" high-strength tempered glass shelves
- Can be used with existing shelf rests or order SHELF REST MFD PK separately
- Refer to individual SKU box for number of shelves required and/or available
- GSK12 - GSK36 is 10 1/4" deep
- GSK12-15 - GSK36-15 is 13 1/4" deep
- Tempered glass cannot be field trimmed
- Glass Shelf Kits 12" - 24" wide have a 15 lb. per square foot load rating
- Glass Shelf Kits 27" - 36" wide have a 5 lb. per square foot load rating

12" DEEP	15" DEEP
GSK12	GSK12-15
GSK15	GSK15-15
GSK18	GSK18-15
GSK21	GSK21-15
GSK24	GSK24-15
GSK27	GSK27-15
GSK30	GSK30-15
GSK33	GSK33-15
GSK36	GSK36-15
GSKCW24	GSKCW27
GSKWEA12	

# BASE CABINETS



**Base Cabinet • 1 Door and 1 Drawer**



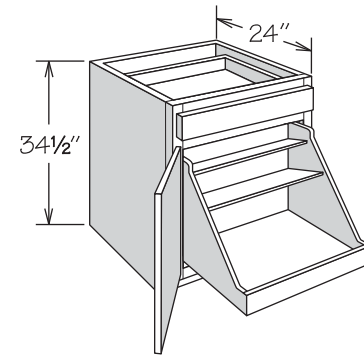
- Half-depth adjustable shelf
- Hinged left and can be reversed in the field

**1 SHELF**

- B12
- B15
- B18
- B21
- B24

AH
APC
CCH
CCDW
CFO
FE
FDS
IF
PE
RD
RTK

**Base Cabinet • 1 Door, 1 Drawer and Pot & Pan Organizer**

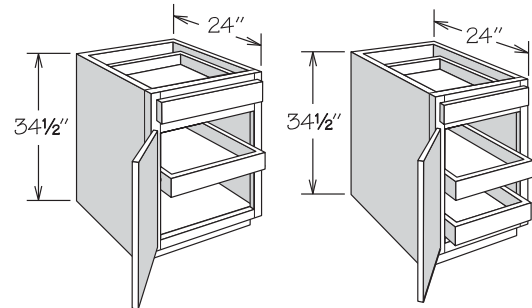


- Organizer in natural finish solid wood and wood veneer with dovetail (front only) construction and full-extension CushionClose glides
- Top shelf of organizer measures 6 3/8" deep
- Middle shelf of organizer measures 9 3/4" deep
- Hinged left and can be reversed in the field
- upgraded drawer option applies to top drawer only

**BASE POT & PAN ORGANIZER**  
B24 CCBPPO

AH
APC
CCH
CCDW
FE
IF
PE
RTK
VTD

**Base Cabinet • 1 Door, 1 Drawer and Sliding Shelves**



1 SLIDING SHELF

2 SLIDING SHELVES

- Sliding shelves are not adjustable
- Engineered wood sliding shelves with solid hardwood front, MDF bottom, and side-mounted drawer glides
- Hinged left and can be reversed in the field

**1 SLIDING SHELF**

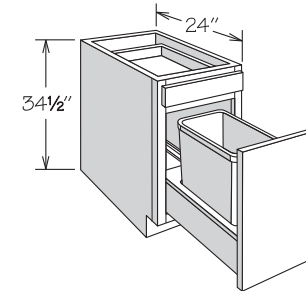
- B12 SS1
- B15 SS1
- B18 SS1
- B21 SS1
- B24 SS1

**2 SLIDING SHELVES**

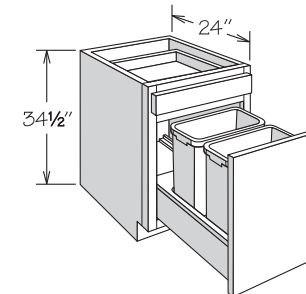
- B12 SS2
- B15 SS2
- B18 SS2
- B21 SS2
- B24 SS2

AH
APC
CCH
CCDW
CCSS
FE
PE
RD
RTK
VTD

**Base Cabinet • 1 Drawer and Door with Wastebasket Pull-Out**



1 WASTEBASKET



2 WASTEBASKETS

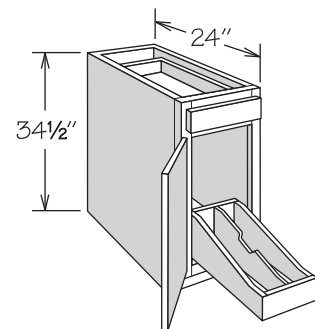
- Wastebasket pull-out features heavy-duty full-extension glides (100 pound rated)
- Wastebasket rests in a natural finish wood frame
- BWBB15 features one silver plastic 35-quart capacity bin
- BWBB15-2 features two silver plastic 27-quart capacity bins
- BWBB18-2 and BWBB21-2 feature two silver plastic 35-quart capacity bins
- Decorative hardware strongly recommended

**1 WASTEBASKET**  
BWBB15

**2 WASTEBASKETS**  
BWBB15-2  
BWBB18-2  
BWBB21-2

AH
APC
CCDW
FE
IF
PE
RTK

**Base Cabinet • 1 Door, 1 Drawer and Roll-Out Tray Divider**



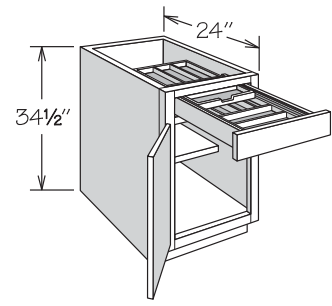
- Roll-Out Tray Divider in natural finish solid wood and wood veneer with dovetail (front only) construction and full-extension CushionClose glides
- B12 CCROTD features two compartments (one partition)
- B15 CCROTD features three compartments (two partitions)
- Partitions are field installed
- No shelf
- Hinged left and can be reversed in the field - upgraded drawer option applies to top drawer only

**ROLL-OUT TRAY DIVIDER**

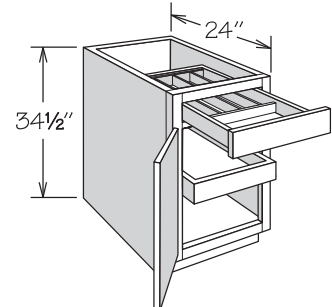
- B12 CCROTD
- B15 CCROTD

AH
APC
CCH
CCDW
FE
PE
RTK

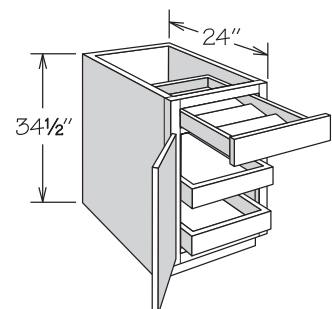
## Base Cabinet • Drawer Accesories • 1 Door



1 SHELF  
18" Wood Tiered Cutlery Divider Shown



1 SLIDING SHELF  
18" Cutlery Divider Shown



2 SLIDING SHELVES  
18" Spice Drawer Insert Shown

- Features solid hardwood dovetail drawer with full-access glides
- Features solid hardwood and plywood in natural finish
- Spice Drawer Insert features solid hardwood and plywood in natural finish and accommodates most spice containers (not included)
- Wood Tiered Cutlery Divider features:
  - » Solid hardwood and plywood in natural finish
  - » Upper section slides independently from drawer
- Refer to specifications on individual cabinets and accessories for more details

APC
CCH
CCDW
CCSS ■
FDS ◆
FE
PE
RTK

WOOD TIERED CUTLERY DIVDER	UPPER SECTION	LOWER SECTION
15"	5	5
18"	5	6
21"	6	7
24"	7	7

CUTLERY DIVDER	SECTIONS
15"	4
18"	5
21"	6
24"	6

### 1 SHELF

#### Wood Tiered Cutlery Divider

- B15 WTCD ◆
- B18 WTCD ◆
- B21 WTCD ◆
- B24 WTCD ◆

#### Cutlery Divider

- B15 CD ◆
- B18 CD ◆
- B21 CD ◆
- B24 CD ◆

#### Spice Drawer Insert

- B15 SDI ◆
- B18 SDI ◆
- B21 SDI ◆
- B24 SDI ◆

### 1 SLIDING SHELF

#### Wood Tiered Cutlery Divider

- B15 SS1 WTCD ■
- B18 SS1 WTCD ■
- B21 SS1 WTCD ■
- B24 SS1 WTCD ■

#### Cutlery Divider

- B15 SS1 CD ■
- B18 SS1 CD ■
- B21 SS1 CD ■
- B24 SS1 CD ■

#### Spice Drawer Insert

- B15 SS1 SDI ■
- B18 SS1 SDI ■
- B21 SS1 SDI ■
- B24 SS1 SDI ■

### 2 SLIDING SHELVES

#### Wood Tiered Cutlery Divider

- B15 SS2 WTCD ■
- B18 SS2 WTCD ■
- B21 SS2 WTCD ■
- B24 SS2 WTCD ■

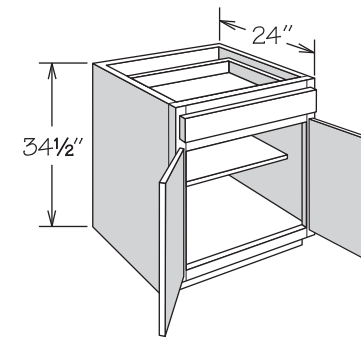
#### Cutlery Divider

- B15 SS2 CD ■
- B18 SS2 CD ■
- B21 SS2 CD ■
- B24 SS2 CD ■

#### Spice Drawer Insert

- B15 SS2 SDI ■
- B18 SS2 SDI ■
- B21 SS2 SDI ■
- B24 SS2 SDI ■

## Base Cabinet • 2 Butt Doors and 1 Drawer



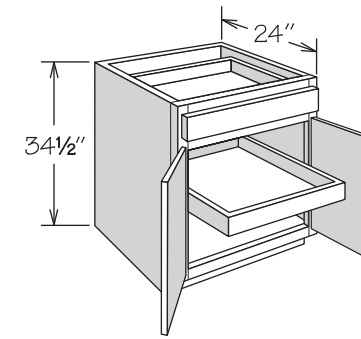
- Half-depth adjustable shelf
- Center support for shelf provided for cabinets 27" or wider

### 1 SHELF

- B24 BUTT
- B27 BUTT
- B30 BUTT

- B33 BUTT
- B36 1TD BUTT

## Base Cabinet • 2 Butt Doors, 1 Drawer and Sliding Shelves



1 SLIDING SHELF

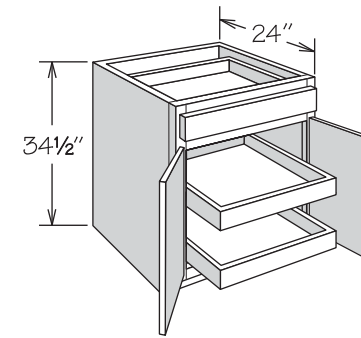
- Sliding shelves are not adjustable
- Engineered wood sliding shelves with solid hardwood front, MDF bottom, and side-mounted drawer glides

### 1 SLIDING SHELF

- B24 SS1 BUTT
- B27 SS1 BUTT
- B30 SS1 BUTT
- B33 SS1 BUTT
- B36 SS1 1TD BUTT

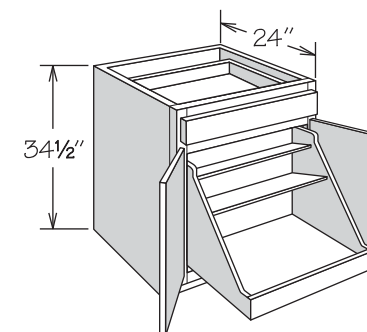
### 2 SLIDING SHELVES

- B24 SS2 BUTT
- B27 SS2 BUTT
- B30 SS2 BUTT
- B33 SS2 BUTT
- B36 SS2 1TD BUTT



2 SLIDING SHELVES

## Base Cabinet • 2 Butt Doors, 1 Drawer and Pot & Pan Organizer



- Organizer in natural finish solid wood and wood veneer with dovetail (front only) construction full-extension CushionClose glides
- Top shelf of organizer measures 6 3/8" deep
- Middle shelf of organizer measures 9 3/4" deep - upgraded drawer option applies to top drawer only

### BASE POT & PAN ORGANIZER

- B24 BUTT CCBPPO
- B27 BUTT CCBPPO
- B30 BUTT CCBPPO
- B33 BUTT CCBPPO
- B36 1TD BUTT CCBPPO

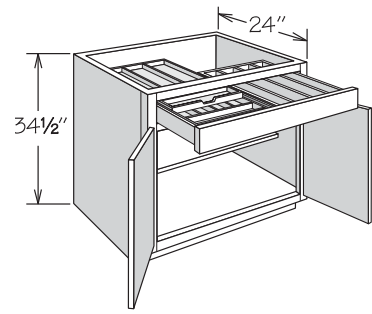
AH
APC
CCH
CCDW
CFO
FE
FDS
IF
PE
RD
RTK

AH
APC
CCH
CCDW
CCSS
FE
PE
RD
RTK
VTD

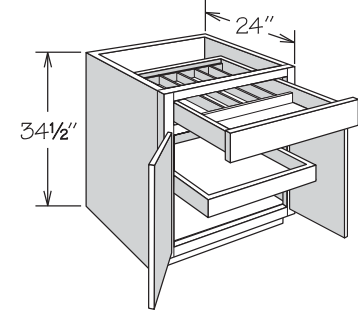
AH
APC
CCH
CCDW
FE
IF
PE
RTK
VTD



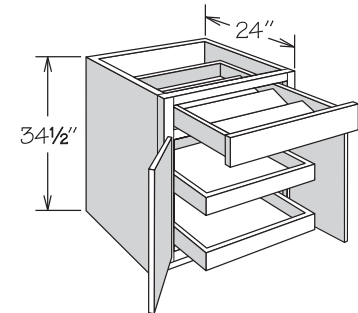
## Base Cabinet • Drawer Accessories • 2 Butt Doors



1 SHELF  
30" Wood Tiered Cutlery Divider Shown



1 SLIDING SHELF  
24" Cutlery Divider Shown



2 SLIDING SHELVES  
24" Spice Drawer Insert Shown

- Features solid hardwood dovetail drawer with full-access glides
- Cutlery Divider features solid hardwood and plywood in natural finish
- Spice Drawer Insert features solid hardwood and plywood in natural finish and accommodates most spice containers (not included)
- Wood Tiered Cutlery Divider features:
  - » Solid hardwood and plywood in natural finish
  - » Upper section slides independently from drawer
  - » Additional cooking Utensil Section on 30" or wider
- Refer to specifications on individual cabinets and accessories for more details

APC
CCH
CCDW
CCSS ■
FDS ◆
FE
PE
RTK

WOOD TIERED CUTLERY DIVIDER	UPPER SECTIONS	LOWER SECTIONS	COOKING UTENSIL SECTIONS
24"	7	7	-
30"	5	5	4
36"	5	5	5

CUTLERY DIVIDER	SECTIONS
24"	6
30"	7
36"	8

### 1 SHELF

**Wood Tiered Cutlery Divider**  
B24 BUTT WTCD ◆  
B30 BUTT WTCD ◆  
B36 1TD BUTT WTCD ◆

**Cutlery Divider**  
B24 BUTT CD ◆  
B30 BUTT CD ◆  
B36 1TD BUTT CD ◆

**Spice Drawer Insert**  
B24 BUTT SDI ◆

### 1 SLIDING SHELF

**Wood Tiered Cutlery Divider**  
B24 SS1 BUTT WTCD ■  
B30 SS1 BUTT WTCD ■  
B36 1TD SS1 BUTT WTCD ■

**Cutlery Divider**  
B24 SS1 BUTT CD ■  
B30 SS1 BUTT CD ■  
B36 1TD SS1 BUTT CD ■

**Spice Drawer Insert**  
B24 SS1 BUTT SDI ■

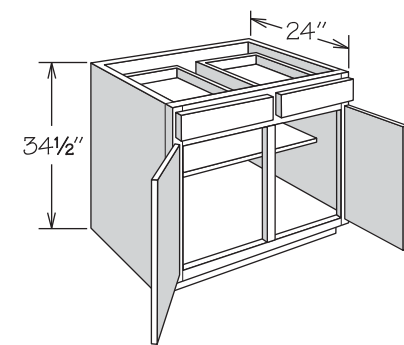
### 2 SLIDING SHELVES

**Wood Tiered Cutlery Divider**  
B24 SS2 BUTT WTCD ■  
B30 SS2 BUTT WTCD ■  
B36 1TD SS2 BUTT WTCD ■

**Cutlery Divider**  
B24 SS2 BUTT CD ■  
B30 SS2 BUTT CD ■  
B36 1TD SS2 BUTT CD ■

**Spice Drawer Insert**  
B24 SS2 BUTT SDI ■

## Base Cabinet • 2 Doors and 2 Drawers



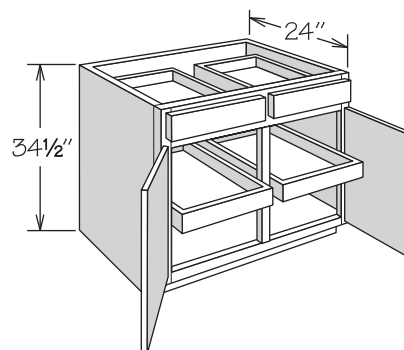
- Half-depth adjustable shelf
- Center support for shelf provided

### 1 SHELF

B39  
B42  
B48

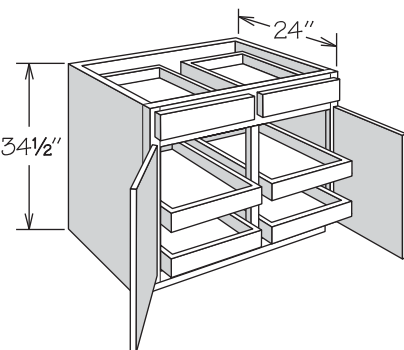
AH
APC
CCH
CCDW
CFO
FDS
FE
IF
PE
RD
RTK

## Base Cabinet • 2 Doors, 2 Drawers and Sliding Shelves



- Sliding shelves are not adjustable
- Engineered wood sliding shelves with solid hardwood front, MDF bottom, and side-mounted drawer glides

2 SLIDING SHELVES



4 SLIDING SHELVES

### 2 SLIDING SHELVES

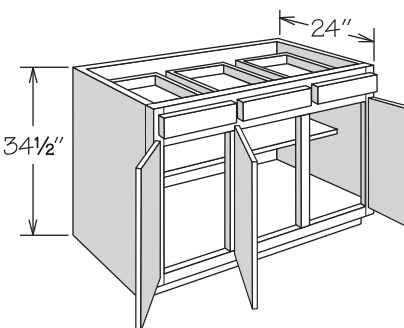
B39 SS1  
B42 SS1  
B48 SS1

### 4 SLIDING SHELVES

B39 SS2  
B42 SS2  
B48 SS2

AH
APC
CCH
CCDW
CCSS
FE
PE
RD
RTK
VTD

## Base Cabinet • 3 Doors and 3 Drawers



- Half-depth adjustable shelf
- Center support for shelf provided
- Hinged as shown - can be reversed in the field

### 1 SHELF

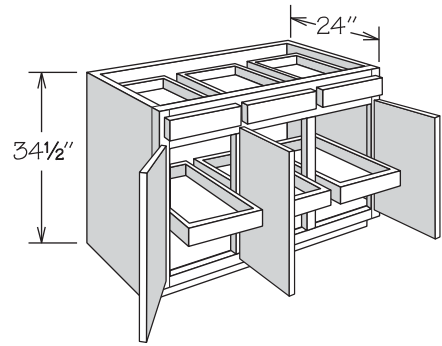
B45

AH
APC
CCH
CCDW
CFO
FDS
FE
IF
PE
RD
RTK

**Base Cabinet • 3 Doors, 3 Drawers and Sliding Shelves**

AH
APC
CCH
CCDW
CCSS
FE
PE
RD
RTK
VTD

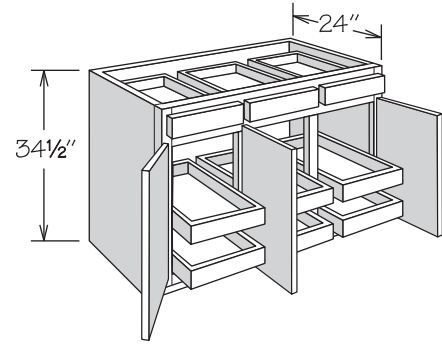
- Sliding shelves are not adjustable
- Engineered wood sliding shelves with solid hardwood front, MDF bottom, and side-mounted drawer glides
- Hinged as shown - can be reversed in the field



3 SLIDING SHELVES

**3 SLIDING SHELVES**  
B45 SS1

**6 SLIDING SHELVES**  
B45 SS2

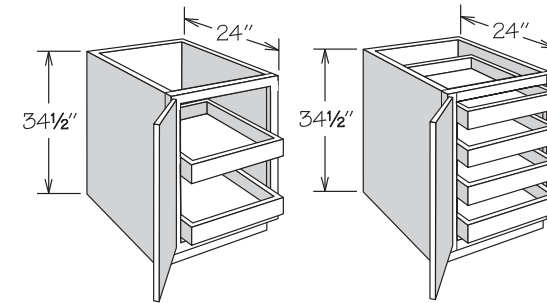


6 SLIDING SHELVES

**Full-Height Base Cabinet • 1 Door and Sliding Shelves**

AH
APC
CCH
CCSS
FE
PE
RD
RTK

- Full-height door
- Sliding shelves are not adjustable
- Engineered wood sliding shelves with solid hardwood front, MDF bottom, and side-mounted drawer glides
- Distance between two sliding shelves is 10 13/16"
- Distance between four sliding shelves is 4 7/16"
- Hinged left and can be reversed in the field



2 SLIDING SHELVES

4 SLIDING SHELVES

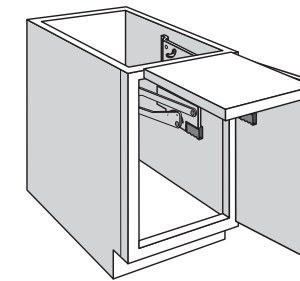
**2 SLIDING SHELVES**  
B12 FH SS2  
B15 FH SS2  
B18 FH SS2  
B21 FH SS2  
B24 FH SS2

**4 SLIDING SHELVES**  
B12 FH SS4  
B15 FH SS4  
B18 FH SS4  
B21 FH SS4  
B24 FH SS4

**Full-Height Base Cabinet • 1 Door and Base Mixer Lift**

AH
APC
CCH
RTK

- Full-height door
- Features Furniture Ends standard
- Includes 1 3/8" thick natural finish solid wood shelf and one pair of shock dampening, adjustable tension lifts
- Supports up to 60 pounds
- Cannot be used with Sliding Shelf or adjustable shelf
- Kit packaged separately for field installation

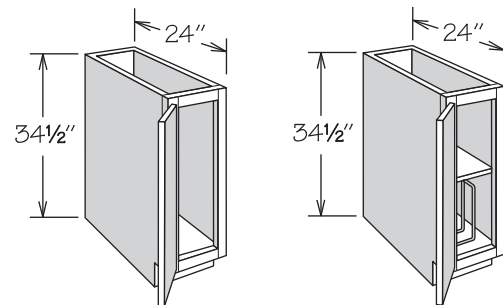


**BASE MIXER LIFT**  
B18 FH MLK

**Full-Height Base Cabinet • 1 Door**

AH
APC
CCH
CFO ■
FE
PE
RD
RTK

- Full-height door
- Recessed Toe Kick Option available left (RTKL) or right (RTKR) only
- TB9 TDS is only available with RD-23 though RD-14
- TB9 TDS features full-depth adjustable shelf (S924) and Tray Divider (TD3) packaged separately for field installation
- Hinged left and can be reversed in the field



NO SHELF

1 SHELF & TRAY DIVIDER

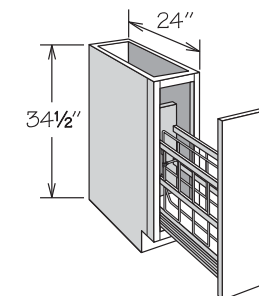
**NO SHELF**  
TB9 ■

**1 SHELF & TRAY DIVIDER**  
TB9 TDS

**Full-Height Base Cabinet • 1 Door with Tray Divider Pull-Out**

AH
APC
FE
PE
RTK

- Tray Divider Pull-Out features CushionClose glides
- Full-height door
- Tray divider is adjustable to accommodate various storage solutions
- Decorative hardware strongly recommended
- Recessed Toe Kick Option available left (RTKL) or right (RTKR) only

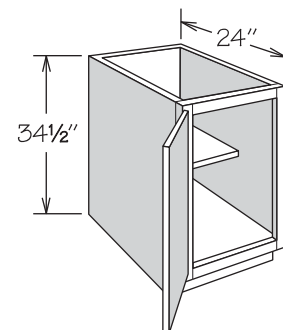


**TRAY DIVIDER PULL-OUT**  
BTDP9 CC

**Full-Height Base Cabinet • 1 Door**

AH
APC
CCH
CFO
FDS
FE
PE
RD
RTK

- Half-depth adjustable shelf
- Full-height door
- Hinged left and can be reversed in the field

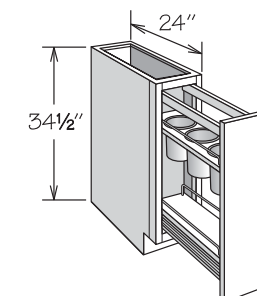


**1 SHELF**  
B12 FH  
B15 FH  
B18 FH  
B21 FH  
B24 FH

**Full-Height Base Cabinet • 1 Door with Utensil Storage Pull-Out**

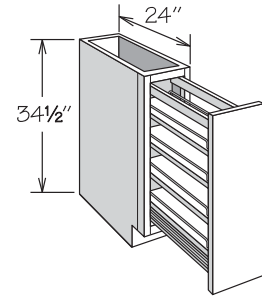
AH
APC
FE
PE
RTK

- Utensil Storage Pull-Out features CushionClose glides
- Full-height door
- One fixed bottom and one adjustable lower shelf in a natural finish with chrome rails
- One fixed upper shelf in a natural finish with chrome rails and three stainless steel removable storage bins
- Stainless steel bins measure 5 1/4" wide x 6 1/8" deep
- Decorative hardware strongly recommended
- BPPUS9 CC not available with Recessed Toe Kick Both Option (RTKB)



**UTENSIL STORAGE PULL-OUT**  
BPPUS9 CC  
BPPUS12 CC

## Full-Height Base Cabinet • 1 Door with Base Pantry Pull-Out



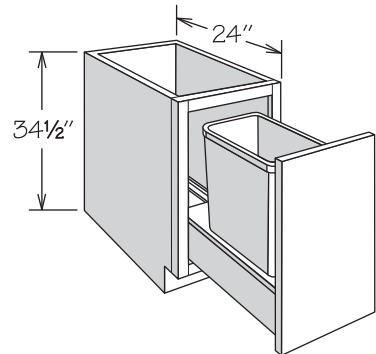
- Base Pantry Pull-Out features CushionClose glides
- Full-height door
- One fixed and three adjustable shelves with chrome rails
- Decorative hardware strongly recommended
- BPP9 CC not available with Recessed Toe Kick Both Option (RTKB)

AH
APC
FE
PE
RTK

### BASE PANTRY PULL-OUT

BPP9 CC  
BPP12 CC

## Full-Height Base Cabinet • 1 Door with Wastebasket Pull-Out



- Wastebasket pull-out features heavy-duty full-extension glides (100 pound rated)
- Full-height door
- Wastebasket rests in a natural finish wood frame
- BWBB15 FH and BWBB18 FH features one silver plastic 50-quart capacity bin
- BWBB21-2 FH features two silver plastic 50-quart capacity bins
- Decorative hardware strongly recommended

AH
APC
CCDW
FE
PE
RTK

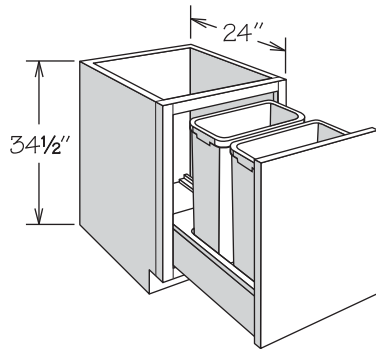
### 1 WASTEBASKET

BWBB15 FH  
BWBB18 FH

### 2 WASTEBASKETS

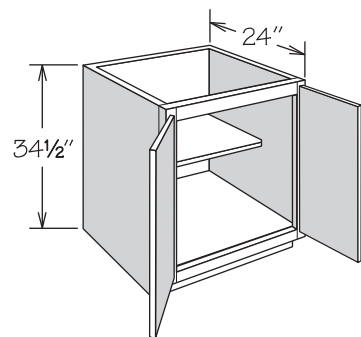
BWBB21-2 FH

1 WASTEBASKET



2 WASTEBASKETS

## Full-Height Base Cabinet • 2 Butt Doors



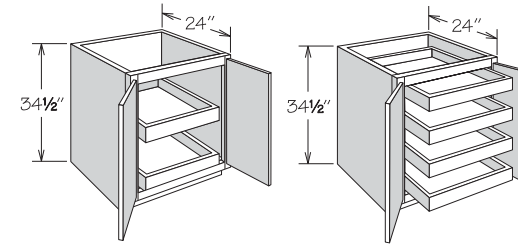
- Half-depth adjustable shelf
- Full-height butt doors
- Center support for shelf provided for cabinets 27" or wider

AH
APC
CCH
CFO
FDS
FE
PE
RD
RTK

### 1 SHELF

B24 BUTT FH  
B27 BUTT FH  
B30 BUTT FH  
B33 BUTT FH  
B36 BUTT FH

## Full-Height Base Cabinet • 2 Butt Doors and Sliding Shelves



2 SLIDING SHELVES

4 SLIDING SHELVES

- Full-height butt doors
- Sliding shelves are not adjustable
- Engineered wood sliding shelves with solid hardwood front, MDF bottom, and side-mounted drawer glides
- Distance between two sliding shelves is 10 3/16"
- Distance between four sliding shelves is 4 7/16"

AH
APC
CCH
CCSS
FE
PE
RD
RTK

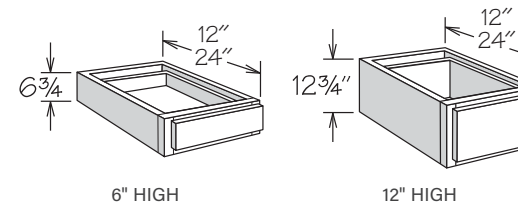
### 2 SLIDING SHELVES

B24 BUTT FH SS2  
B27 BUTT FH SS2  
B30 BUTT FH SS2  
B33 BUTT FH SS2  
B36 BUTT FH SS2

### 4 SLIDING SHELVES

B24 BUTT FH SS4  
B27 BUTT FH SS4  
B30 BUTT FH SS4  
B33 BUTT FH SS4  
B36 BUTT FH SS4

## Furniture Drawer Cabinet • 1 Drawer



6" HIGH

12" HIGH

- 6" high features one standard drawer and 12" high features one large drawer
- 24" deep Furniture Drawer cabinets are only available with RD-23 through RD-13
- Bottom of cabinet frame must be fully supported

APC
CCDW
CFO
FE
PE
RD

### 6" HIGH • 1 DRAWER

#### 12" Deep

FD121206  
FD151206  
FD181206  
FD211206  
FD241206  
FD271206  
FD301206  
FD331206  
FD361206

#### 24" Deep

FD122406 ■  
FD152406 ■  
FD182406 ■  
FD212406 ■  
FD242406 ■  
FD272406 ■  
FD302406 ■  
FD332406 ■  
FD362406 ■

### 12" HIGH • 1 DRAWER

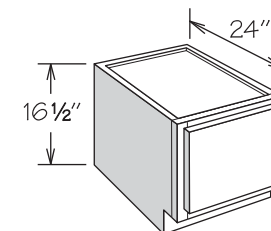
#### 12" Deep

FD121212  
FD151212  
FD181212  
FD211212  
FD241212  
FD271212  
FD301212  
FD331212  
FD361212

#### 24" Deep

FD122412 ■  
FD152412 ■  
FD182412 ■  
FD212412 ■  
FD242412 ■  
FD272412 ■  
FD302412 ■  
FD332412 ■  
FD362412 ■

## Pedestal Drawer Cabinet • 1 Drawer



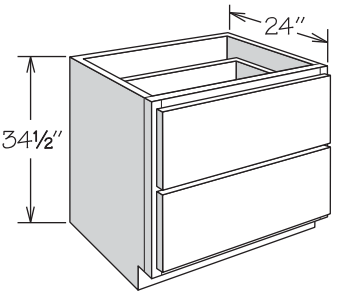
- One large drawer
- Features solid top

APC
CCDW
CFO
FE
PE
RD
RTK

### 1 DRAWER

PD1217 1DWR  
PD1517 1DWR  
PD1817 1DWR  
PD2117 1DWR  
PD2417 1DWR  
PD2717 1DWR  
PD3017 1DWR  
PD3317 1DWR  
PD3617 1DWR

**Drawer Base Cabinet • 2 Large Drawers**



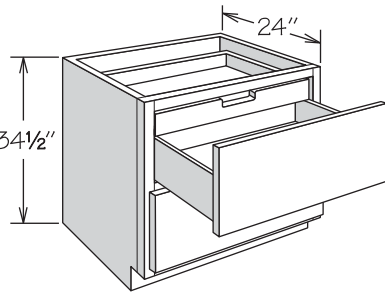
- Two large dovetail drawers with extra large drawer fronts
- Drawer body measures 6<sup>15</sup>/<sub>16</sub>" deep
- Only available with RD-23 through RD-21
- Drawers feature full-extension CushionClose heavy-duty 132 pound rated glides

AH
APC
CFO
FE
PE
RD
RTK

**2 DRAWERS**

- DB21 2DWR
- DB24 2DWR
- DB27 2DWR
- DB30 2DWR
- DB33 2DWR
- DB36 2DWR

**Drawer Base Cabinet • 2 Large Drawers and Scalloped Sliding Shelf**



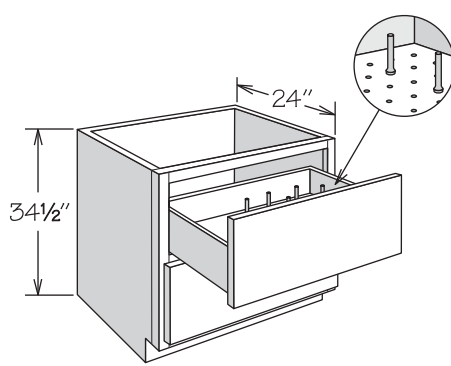
- Two large dovetail drawers with extra large drawer fronts
- Drawer body measures 6<sup>15</sup>/<sub>16</sub>" deep
- Only available with RD-23 through RD-21
- Scalloped dovetail Sliding Shelf with CushionClose Glides in top opening
- Drawers feature full-extension CushionClose heavy-duty 132 pound rated glides

AH
APC
FE
PE
RD
RTK

**2 DRAWERS**

- DB21 2DWR SFWT
- DB24 2DWR SFWT
- DB27 2DWR SFWT
- DB30 2DWR SFWT
- DB33 2DWR SFWT
- DB36 2DWR SFWT

**Drawer Base Cabinet • 2 Drawers and Peg Dish Organizer**



- Two large dovetail drawers with extra large drawer fronts
- Drawer body measures 6<sup>15</sup>/<sub>16</sub>" deep
- One Peg Dish Organizer Kit (organizer and adjustable pegs) in natural finish, packaged separately for field installation
- Additional pegs (PEG KIT 4 PK) and Peg Dish Organizer Kits (PDO\_) can be ordered separately
- Drawers feature full-extension CushionClose heavy-duty 132 pound rated glides

AH
APC
FE
PE
RTK

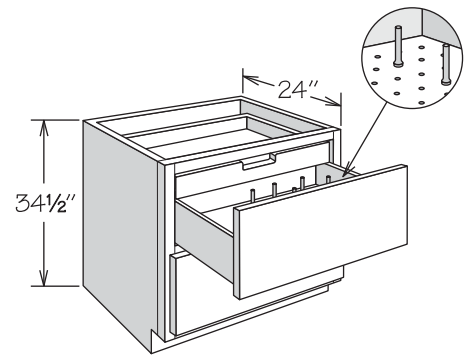
**2 DRAWERS**

- DB21 2DWR PDO
- DB24 2DWR PDO
- DB27 2DWR PDO
- DB30 2DWR PDO
- DB33 2DWR PDO
- DB36 2DWR PDO

**PEG COUNT**

- 8
- 12
- 12
- 12
- 12
- 12

**Drawer Base Cabinet • 2 Drawers, Scalloped Sliding Shelf and Peg Dish Organizer**



- Two large dovetail drawers with extra large drawer fronts
- Drawer body measures 6<sup>15</sup>/<sub>16</sub>" deep
- Scalloped dovetail Sliding Shelf with CushionClose Glides in top opening
- One Peg Dish Organizer Kit (organizer and adjustable pegs) in natural finish, packaged separately for field installation
- Additional pegs (PEG KIT 4 PK) and Peg Dish Organizer Kits (PDO\_) can be ordered separately
- Drawers feature full-extension CushionClose heavy-duty 132 pound rated glides

AH
APC
FE
PE
RTK

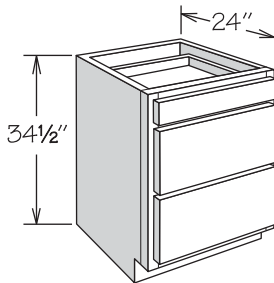
**2 DRAWERS**

- DB21 2DWR SFWT PDO
- DB24 2DWR SFWT PDO
- DB27 2DWR SFWT PDO
- DB30 2DWR SFWT PDO
- DB33 2DWR SFWT PDO
- DB36 2DWR SFWT PDO

**PEG COUNT**

- 8
- 12
- 12
- 12
- 12
- 12

**Drawer Base Cabinet • 3 Drawers**



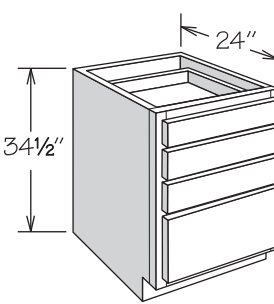
- One standard and two large drawers

AH
APC
CCDW
CFO
FE
PE
RD
RTK
VTD

**3 DRAWERS**

- DB12
- DB15
- DB18
- DB21
- DB24
- DB27
- DB30
- DB33
- DB36 1TD

**Drawer Base Cabinet • 4 Drawers**



- One large and three standard drawers

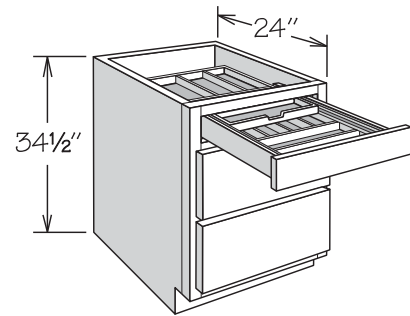
AH
APC
CCDW
CFO
FE
PE
RD
RTK
VTD

**4 DRAWERS**

- DB12 4DWR
- DB15 4DWR
- DB18 4DWR
- DB21 4DWR
- DB24 4DWR

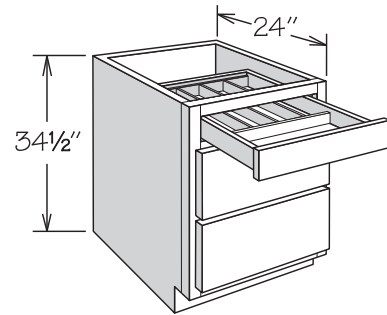
## Drawer Base Cabinet • Drawer Accessories

APC
CCDW
FE
PE
RTK



3 DRAWER  
18" Wood Tiered Cutlery Divider Shown

- Top drawer features solid hardwood dovetail drawer with full-access glides - remaining drawers will utilize engineered wood drawer with side-mounted drawer glides
- Cutlery Divider features solid hardwood and plywood in natural finish
- Spice Drawer Insert features solid hardwood and plywood in natural finish and accommodates most spice containers (not included)
- Wood Tiered Cutlery Divider features:
  - » Solid hardwood and plywood in natural finish
  - » Upper section slides independently from drawer
  - » Additional cooking utensil section on 30" or wider
- Refer to specifications on individual cabinets and accessories for more details



3 DRAWER  
18" Cutlery Divider Shown

WOOD TIERED CUTLERY DIVIDER	UPPER SECTIONS	LOWER SECTIONS	COOKING UTENSIL SECTIONS
15"	5	5	-
18"	5	6	-
21"	6	7	-
24"	7	7	-
30"	5	5	4
36"	5	6	5

CUTLERY DIVIDER	SECTIONS
15"	4
18"	5
21"	6
24"	6
30"	7
36"	8

### 3 DRAWER

#### Wood Tiered Cutlery Divider

DB15 WTCD  
DB18 WTCD  
DB21 WTCD  
DB24 WTCD  
DB30 WTCD  
DB36 1TD WTCD

#### Cutlery Divider

DB15 CD  
DB18 CD  
DB21 CD  
DB24 CD  
DB30 CD  
DB36 1TD CD

#### Spice Drawer Insert

DB15 SDI  
DB18 SDI  
DB21 SDI  
DB24 SDI

### 4 DRAWER

#### Wood Tiered Cutlery Divider

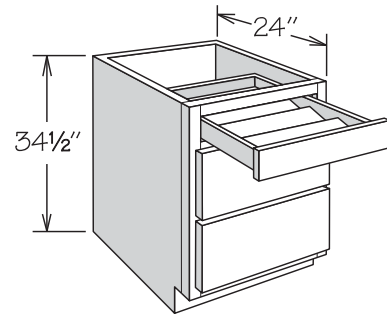
DB15 4DWR WTCD  
DB18 4DWR WTCD  
DB21 4DWR WTCD  
DB24 4DWR WTCD

#### Cutlery Divider

DB15 4DWR CD  
DB18 4DWR CD  
DB21 4DWR CD  
DB24 4DWR CD

#### Spice Drawer Insert

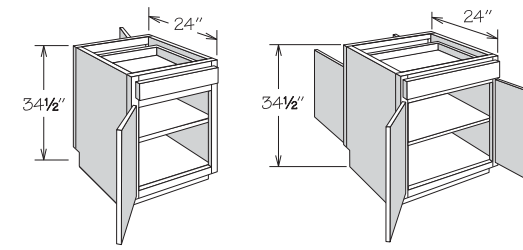
DB15 4DWR SDI  
DB18 4DWR SDI  
DB21 4DWR SDI  
DB24 4DWR SDI



3 DRAWER  
18" Spice Drawer Insert Shown

## Peninsula Base • 1 Drawer

APC
CCH
CCDW
FE
PE
RD
RTK
VTD



2 DOORS

4 BUTT DOORS

- Full-depth adjustable shelf
- Drawer accessible on one side only
- Panel on opposite side of drawer
- When selecting the Recessed Toe Kick Option, the drawer side indicates the front of the cabinet
- Single door cabinets are hinged left and can be reversed in the field

### 2 DOORS

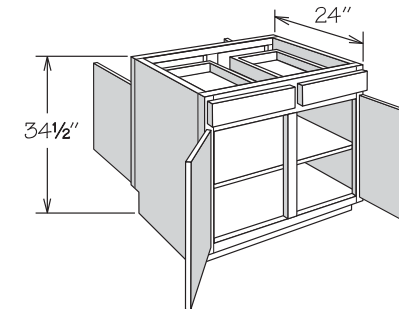
PB12  
PB18  
PB24

### 4 BUTT DOORS

PB24 BUTT  
PB30 BUTT  
PB36 1TD BUTT

## Peninsula Base • 2 Drawers

APC
CCH
CCDW
FE
PE
RD
RTK
VTD



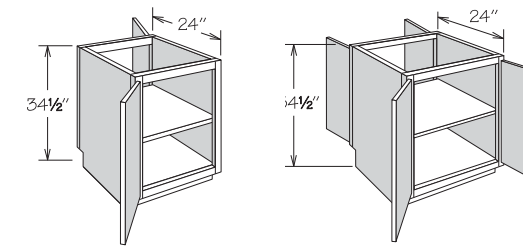
- Full-depth adjustable shelf
- Drawers accessible on one side only
- Features two panels on opposite side of drawers
- When selecting the Recessed Toe Kick Option, the drawer side indicates the front of the cabinet

### 4 DOORS

PB42

## Full-Height Peninsula Base

APC
CCH
FE
PE
RD
RTK



2 DOORS

4 BUTT DOORS

- Full-height doors
- Full-depth adjustable shelf
- Single door cabinets are hinged left and can be reversed in the field

### 2 DOORS

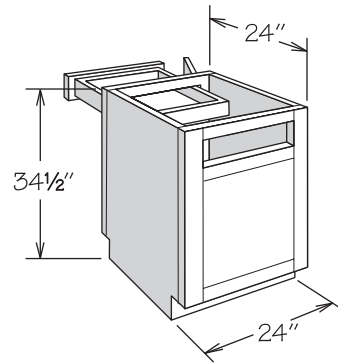
PB12 FH  
PB18 FH

### 4 BUTT DOORS

PB24 BUTT FH  
PB30 BUTT FH  
PB36 BUTT FH



## Blind Peninsula Corner Base



- Half-depth adjustable shelf
- Can be installed left or right
- Universal Fillers are recommended for use between PBC24 and wall and adjoining base cabinet or appliance for hardware clearance and proper door operation
- Cabinet may require pulling from wall - refer to the chart below for specifications
- Roll-out accessories are not recommended
- Must order Universal Fillers separately
- PBC24 is hinged left and can be reversed in the field

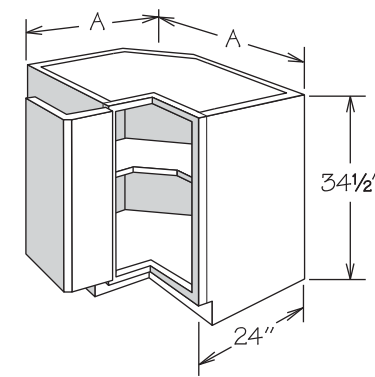
APC
CCH
CCDW
FDS
FE
PE
RD

**1 DOOR**  
PBC24

**2 BUTT DOORS**  
PBC24 BUTT

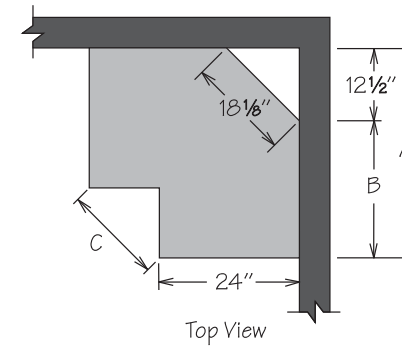
AH
APC
FE
PE

## Base Easy Reach

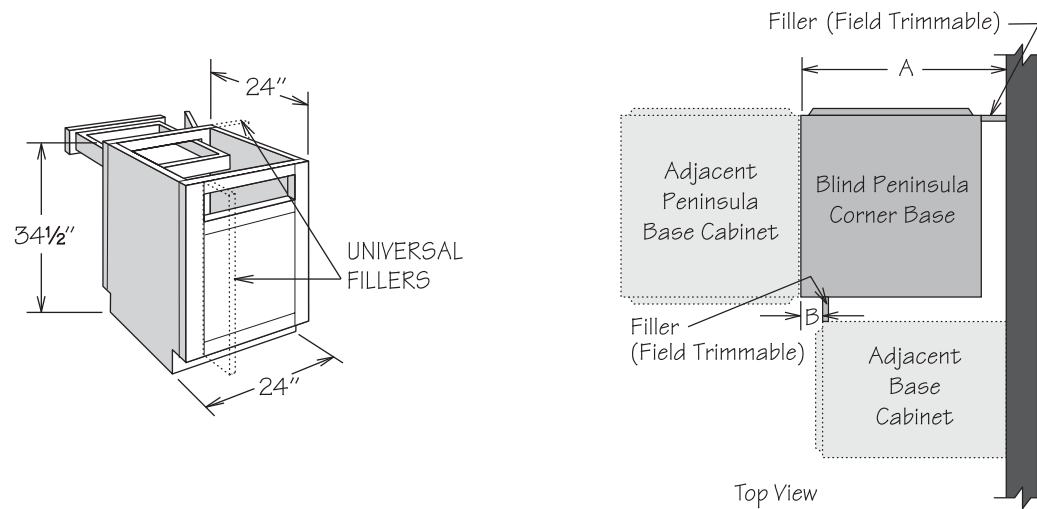


- Features a solid top
- One adjustable half-depth shelf (non-removable)
- All door styles must be ordered hinged left or right
- BER33 features two solid recessed panel doors for Elderidge door style
- Sides are finished
- Stile width and outside profile of both doors at door-to-door hinge may vary from standard dimension and profile for proper door function
- Doors open 170°
- Cabinet requires a minimum of 29" to fit through doorway
- Additional space recommended if appliance is installed on the hinge side of this cabinet for proper door operation - decorative hardware should be taken into consideration for the overall depth of appliance

SHELF	A	B	C
BER33	33"	20 1/2"	10 7/8"
BER36	36"	23 1/2"	14 5/8"



## BLIND PENINSULA CORNER BASE INSTALLATION CHART



### Full Overlay Door Styles

Full overlay door styles require decorative hardware, which has been calculated into dimensions.  
\*Must use these dimensions if optional Overlay Fillers will be used.

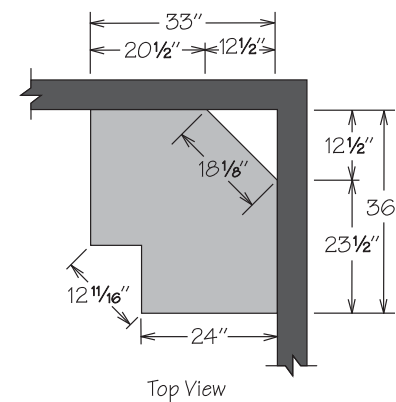
Cabinet	Actual Cabinet Width	Door Opening	Door(s)	Wall Space A			Exposed Frame B		Filler (at wall)	
				Min. Space	Max. Pull	Max. Space*	Min. Space	Max. Space*	Min.	Max.*
PBC24	24"	20 3/4"	DR2424	26 1/4"	3/4"	27"	2 1/4"	3"	2 1/4"	3"
PBC24 BUTT	24"	20 3/4"	DR1224 BUTT (2)	26 1/4"	3/4"	27"	2 1/4"	3"	2 1/4"	3"

### Partial Overlay Door Styles

Wall Space A requirements include optional decorative hardware clearance.  
1/4" may be deducted if decorative hardware is not used.

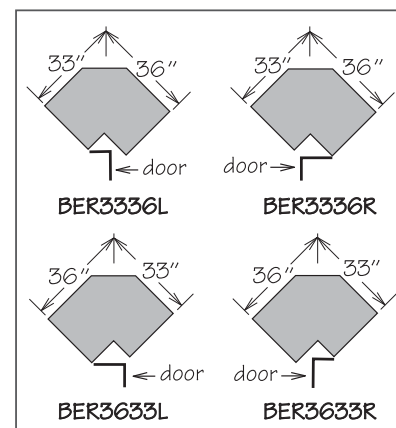
Cabinet	Actual Cabinet Width	Door Opening	Door(s)	Wall Space A			Exposed Frame B		Filler (at wall)	
				Min. Space	Max. Pull	Max. Space	Min. Space	Max. Space	Min.	Max.
PBC24	24"	20 3/4"	DR2424	25 3/8"	1 1/8"	27"	1 3/8"	3"	1 3/8"	3"
PBC24 BUTT	24"	20 3/4"	DR1224 BUTT (2)	25 3/8"	1 1/8"	27"	1 3/8"	3"	1 3/8"	3"

## Asymmetrical Base Easy Reach



- Features a solid top
- One adjustable half-depth shelf (non-removable)
- All door styles must be ordered hinged left or right
- Elderidge door style features one solid recessed panel door (33" side) and one solid raised panel door (36" side)
- Sides are finished
- Stile width and outside profile of both doors at door-to-door hinge may vary from standard dimension and profile for proper door function
- Doors open 170°
- Cabinet requires a minimum of 29" to fit through doorway
- Additional space recommended if appliance is installed on the hinge side of this cabinet for proper door operation - decorative hardware should be taken into consideration for the overall depth of appliance

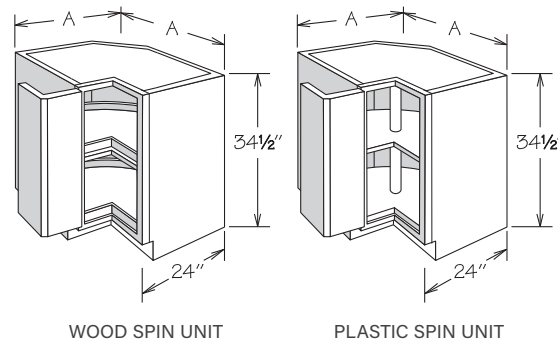
**SHELF**  
BER3336  
BER3633



AH
APC
FE
PE

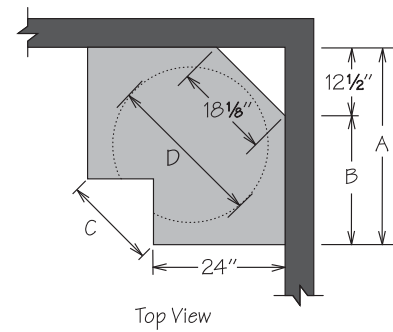


**Base Super Susan • Spin Unit**



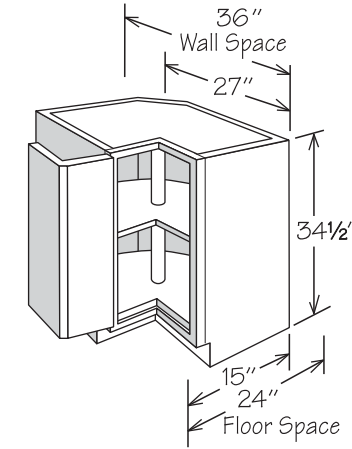
- Features a solid top
- All door styles must be ordered hinged left or right
- BSS33 features two solid recessed panel doors for Elderidge door style
- Sides are finished
- Stile width and outside profile of both doors at door-to-door hinge may vary from standard dimension and profile for proper door function
- Doors open 170°
- Cabinet requires a minimum of 29" to fit through doorway
- Additional space recommended if appliance is installed on the hinge side of this cabinet for proper door operation – decorative hardware should be taken into consideration for the overall depth of appliance
- Wood Spin Units feature:
  - » One fixed spin unit mounted on cabinet floor
  - » One spin unit attached to 3/4" adjustable shelf
  - » Natural wood finish with 1" lip
- Plastic Spin Units feature:
  - » Two spin shelves with pole (top shelf adjustable)
  - » White high strength plastic shelves

AH
APC
FE
PE



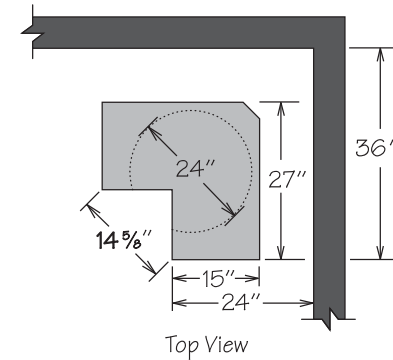
	A	B	C	D
<b>Wood Spin Unit</b>				
BSS33 WD	33"	20 1/2"	10 7/16"	28"
BSS36 WD	36"	23 1/2"	14 5/16"	32"
<b>Plastic Spin Unit</b>				
BSS33	33"	20 1/2"	10 7/16"	28"
BSS36	36"	23 1/2"	14 5/16"	32"

**Corner Base Carousel • Spin Unit**



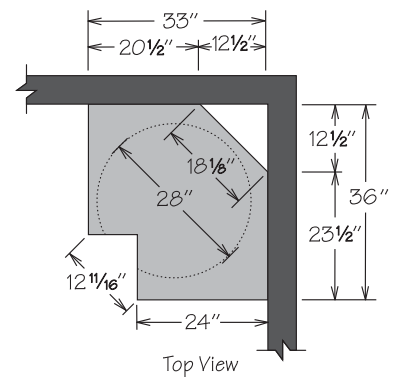
- Features a solid top
- All door styles must be ordered hinged left or right
- Sides are unfinished
- Stile width and outside profile of both doors at door-to-door hinge may vary from standard dimension and profile for proper door function
- Doors open 170°
- If unit has an exposed side, order end panel separately
- Additional support for countertop in back is necessary
- Additional space recommended if appliance is installed on the hinge side of this cabinet for proper door operation – decorative hardware should be taken into consideration for the overall depth of appliance
- Unit must be pulled to install in a 36" x 36" space
- Wood Spin Units feature:
  - » Two natural finish solid hardwood spin shelves with pole (top shelf adjustable)
- Plastic Spin Units feature:
  - » Two white high strength plastic spin shelves with pole (top shelf adjustable)

AH
----



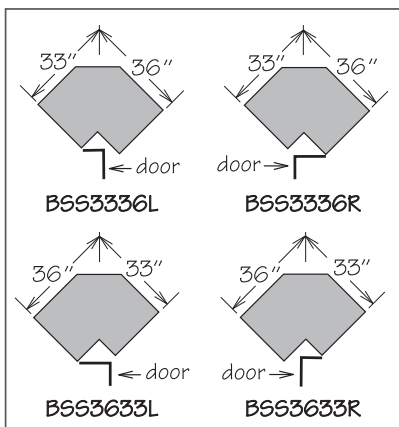
WOOD SPIN UNIT	PLASTIC SPIN UNIT
CAR36 WD	CAR36

**Asymmetrical Base Super Susan • Spin Unit**



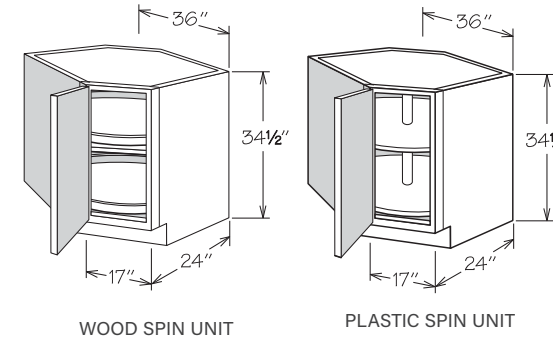
- Features a solid top
- All door styles must be ordered hinged left or right
- Elderidge door style features one solid recessed panel door (33" side) and one solid raised panel door (36" side)
- Sides are finished
- Stile width and outside profile of both doors at door-to-door hinge may vary from standard dimension and profile for proper door function
- Doors open 170°
- Cabinet requires a minimum of 29" to fit through doorway
- Additional space recommended if appliance is installed on the hinge side of this cabinet for proper door operation – decorative hardware should be taken into consideration for the overall depth of appliance
- Wood Spin Units feature:
  - » One fixed spin unit mounted on cabinet floor
  - » One spin unit attached to 3/4" adjustable shelf
  - » Natural wood finish with 1"
- Plastic Spin Units features:
  - » Two spin shelves with pole (top shelf adjustable)
  - » White high strength plastic shelves

AH
APC
FE
PE



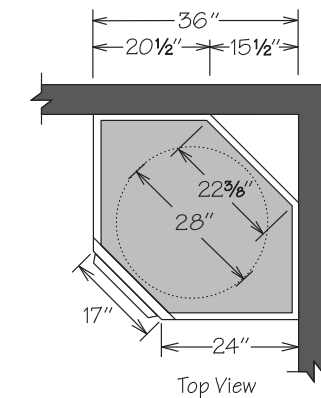
WOOD SPIN UNIT	PLASTIC SPIN UNIT
BSS3336 WD	BSS3336
BSS3633 WD	BSS3633

**Corner Base • Spin Unit**



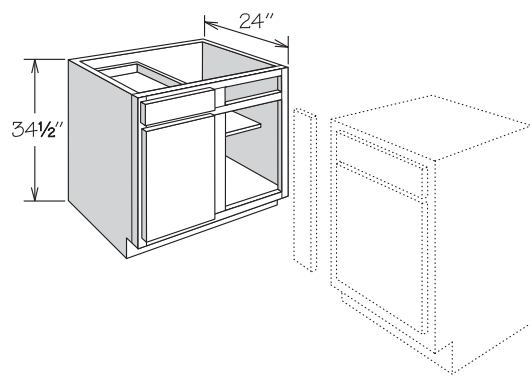
- Sides are finished
- Cabinet requires a minimum of 34" to fit through doorway
  - » White high strength plastic shelves
- Additional space recommended if appliance is installed on the hinge side of this cabinet for proper door operation – decorative hardware should be taken into consideration for the overall depth of appliance
- Cabinet features solid top
- Wood Spin Units feature:
  - » One fixed spin unit mounted on cabinet floor
  - » One spin unit attached to 3/4" adjustable shelf
  - » Natural wood finish with 1" lip
- Plastic Spin Units feature:
  - » Two spin shelves with pole (top shelf adjustable)
- Hinged left and can be reversed in the field

AH
APC
CCH
FE
PE



WOOD SPIN UNIT	PLASTIC SPIN UNIT
CBS36 WD	CBS36

### Blind Corner Base



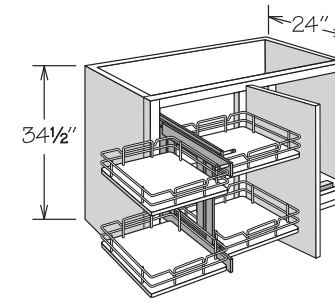
- Half-depth adjustable shelf
- Blind base door and drawer are installed in the left section
- Door and drawer can be reversed in the field as blind sections are identical
- Includes 1/8" panel to cover blind opening (field trim and install)
- Refer to the chart below for specifications
- Recessed Toe Kick Both Option (RTKB) available only
- Must order Universal Filler separately
- Center support for shelf provided (excluding BLB36/39)

AH
APC
CCH
CCDW
CFO
FDS
FE
PE
RD
RTK

**1 SHELF**

- BLB36/39
- BLB39/42
- BLB42/45
- BLB45/48
- BLB48/51

### Blind Corner Base • Pull Out Kit

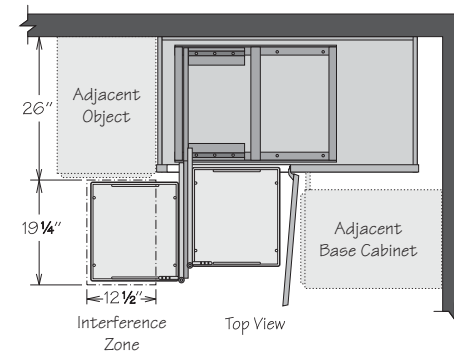


- Full-height door
- Blind base door is installed in the left section
- Door and Pull Out Kit can be reversed in the field as blind sections are identical
- Includes 1/8" panel to cover blind opening (field trim and install)
- Refer to the Blind Corner Base Installation Chart for specifications
- Recessed Toe Kick Both Option (RTKB) available only
- Pull out kit:
  - » Features two-tiered organizer with four chrome finish wire shelves and engineered wood bottoms with woodgrain look
  - » Features full-extension, 100-pound rated glides
  - » Packaged separately for field installation
  - » Mounts to cabinet floor
- Unit requires 19 1/4" of clearance in front of cabinet to pull the unit out, and 12 1/2" of side clearance to slide the unit over
- Baskets are able to be repositioned to allow clearance of deeper adjacent objects up to 26"

AH
APC
CCH
FE
PE
RTK

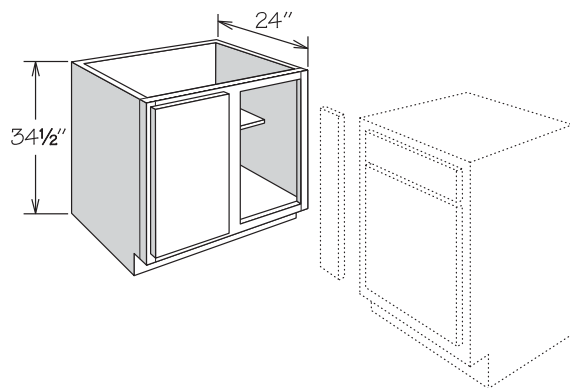
**PULL OUT KIT**

- BLB45/48 FH POK
- BLB48/51 FH POK



### Full Height Blind Corner Base

**NEW!** **SIZES**



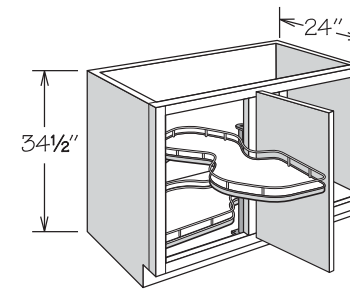
- Half-depth adjustable shelf
- Center support for shelf provided (excluding BLB36/39 FH)
- Blind base door is installed in the left section
- Door can be reversed in the field as blind sections are identical
- Includes 1/8" panel to cover blind opening (field trim and install)
- Refer to the chart for specifications
- Recessed Toe Kick Both Option (RTKB) available only
- Must order Universal Filler separately

AH
APC
CCH
CFO
FDS
FE
PE
RD
RTK

**1 SHELF**

- BLB36/39 FH
- BLB39/42 FH
- BLB42/45 FH
- BLB45/48 FH
- BLB48/51 FH

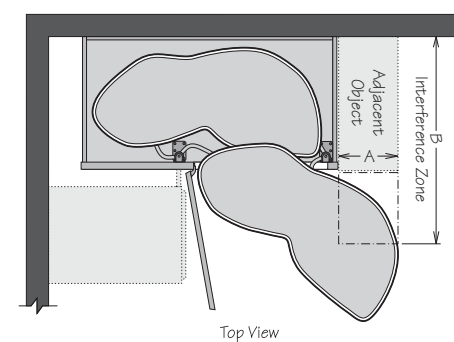
### Blind Corner Base • Swing Out Kit



BLB45/48 FH SOKL Shown

- Full-height door
- Features Furniture Ends standard
- Blind base door is installed in the left section
- Door can be reversed in the field as blind sections are identical, kit is not reversible and must be ordered as left or right
- Includes 1/8" panel to cover blind opening (field trim and install)
- Refer to the Blind Corner Base Installation Chart for specifications
- Recessed Toe Kick Both Option (RTKB) available only
- Pull out kit:
  - » Must be ordered left or right
  - » Features two-tiered organizer with two chrome finish wire shelves and engineered wood bottoms with woodgrain look
  - » Supports up to 45 pounds per shelf
  - » Packaged separately for field installation
  - » Mounts to cabinet side panel and telescopic pole (included)

AH
APC
CCH
RTK



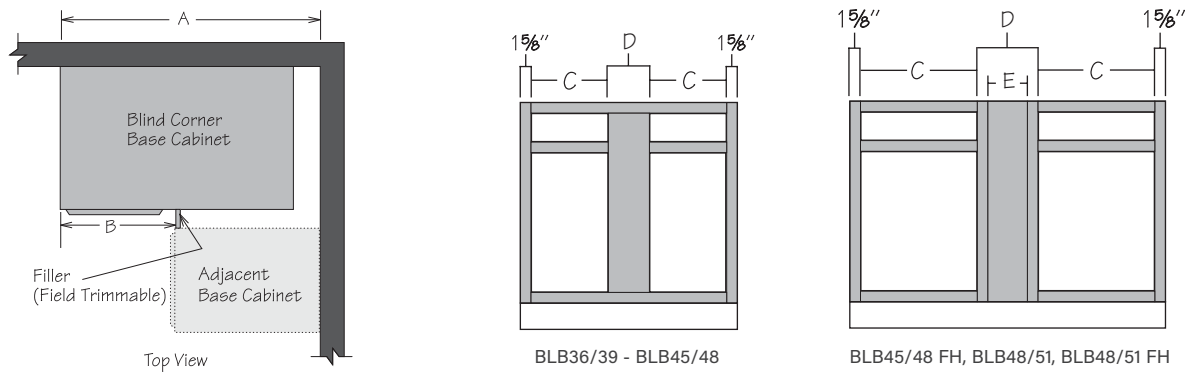
BLB45/48 FH SOKR Shown

A (Distance from edge of BLB frame)	0"	3"	6"	9"	12"	13"
B (Maximum Depth of Adjacent Object)	24 7/8"	25 1/2"	27 1/2"	28 5/8"	32 1/4"	no interference

**SWING OUT KIT**

- BLB45/48 FH SOKL
- BLB45/48 FH SOKR
- BLB48/51 FH SOKL
- BLB48/51 FH SOKR

## BLIND CORNER BASE INSTALLATION CHART



### Full Overlay Door Styles

Full Overlay door styles require decorative hardware, which has been calculated into dimensions.

\*Dimension requirements do not include optional Overlay Fillers - add 7/8" if Overlay Fillers will be used, except for BLB48/51 add 1/8".

Cabinet	Actual Cabinet Width	Wall Space A			Exposed Frame B		C Door Opening	Door(s)	D	E
		Minimum Space*	Maximum Pull	Maximum Space	Minimum Space*	Maximum Space				
BLB36/39	27"	38 1/4"	1 3/4"	40"	14 1/4"	16"	8 3/4"	DR1224	6 1/4"	-
BLB36/39 FH	27"	38 1/4"	1 3/4"	40"	14 1/4"	16"	8 3/4"	DR12FH	6 1/4"	-
BLB39/42	33"	41 1/4"	1 3/4"	43"	17 1/4"	19"	11 3/4"	DR1524	6 1/4"	-
BLB39/42 FH	33"	41 1/4"	1 3/4"	43"	17 1/4"	19"	11 3/4"	DR15FH	6 1/4"	-
BLB42/45	39"	44 1/4"	1 3/4"	46"	20 1/4"	22"	14 3/4"	DR1824	6 1/4"	-
BLB42/45 FH	39"	44 1/4"	1 3/4"	46"	20 1/4"	22"	14 3/4"	DR18FH	6 1/4"	-
BLB45/48	45"	47 1/4"	1 3/4"	49"	23 3/4"	25"	17 3/4"	DR2124	6 1/4"	-
BLB45/48 FH	45"	47 1/4"	1 3/4"	49"	23 3/4"	25"	17 3/4"	DR21FH	6 1/4"	3"
BLB48/51	48"	48"	4"	52"	24"	28"	17 3/4"	DR2124	9 1/4"	6"
BLB48/51 FH	48"	48"	4"	52"	24"	28"	17 3/4"	DR21FH	9 1/4"	6"

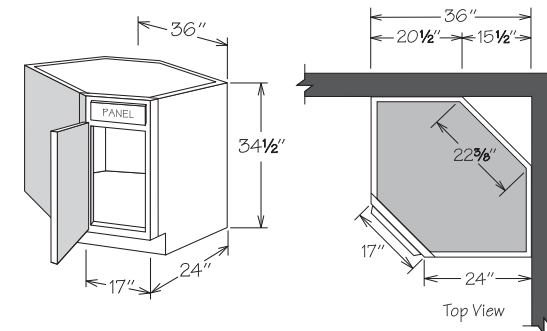
### Partial Overlay Door Styles

Wall Space A requirements include optional decorative hardware clearance.

1 1/4" may be deducted if decorative hardware is not used.

Cabinet	Actual Cabinet Width	Wall Space A			Exposed Frame B		C Door Opening	Door(s)	D	E
		Minimum Space	Maximum Pull	Maximum Space	Minimum Space	Maximum Space				
BLB36/39	27"	37 3/8"	2 5/8"	40"	13 3/8"	16"	8 3/4"	DR1224	6 1/4"	-
BLB36/39 FH	27"	37 3/8"	2 5/8"	40"	13 3/8"	16"	8 3/4"	DR1230	6 1/4"	-
BLB39/42	33"	40 3/8"	2 5/8"	43"	16 3/8"	19"	11 3/4"	DR1524	6 1/4"	-
BLB39/42 FH	33"	40 3/8"	2 5/8"	43"	16 3/8"	19"	11 3/4"	DR1530	6 1/4"	-
BLB42/45	39"	43 3/8"	2 5/8"	46"	19 3/8"	22"	14 3/4"	DR1824	6 1/4"	-
BLB42/45 FH	39"	43 3/8"	2 5/8"	46"	19 3/8"	22"	14 3/4"	DR1830	6 1/4"	-
BLB45/48	45"	46 3/8"	2 5/8"	49"	22 3/8"	25"	17 3/4"	DR2124	6 1/4"	-
BLB45/48 FH	45"	46 3/8"	2 5/8"	49"	22 3/8"	25"	17 3/4"	DR2130	6 1/4"	3"
BLB48/51	48"	48"	4"	52"	24"	28"	17 3/4"	DR2124	9 1/4"	6"
BLB48/51 FH	48"	48"	4"	52"	24"	28"	17 3/4"	DR2130	9 1/4"	6"

### Corner Sink Base • 1 Door

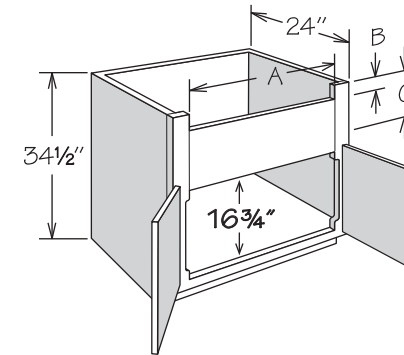


- No shelf
- Sides are finished
- Cabinet requires a minimum of 34" to fit through doorway
- Additional space recommended if appliance is installed on either side of this cabinet for proper appliance door operation
- Cabinet features solid top which must be field cut for sink installation as per manufacturer's specifications
- Maximum sink width is 22 3/4" if cut out is 4" back from face of front frame
- Refer to sink manufacturer's specifications for adequate clearance and required installation materials
- Hinged left and can be reversed in the field
- Touch Up Kit included

AH
APC
CCH
FE
PE

CSB36

### Deep Sink/Range Base • 2 Butt Doors

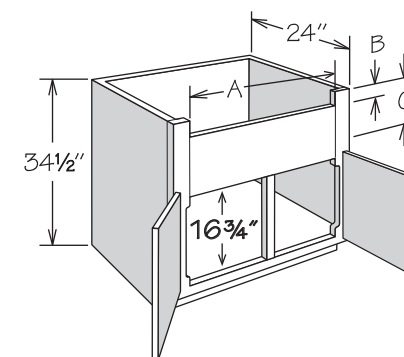


- No shelf
- Accommodates farm sinks
- Apron stiles are 3/8" wide and trimmable
- A cutout exists in the door area where the 3/8" stiles are routed to 1 5/8"
- Refer to sink or appliance manufacturer's specifications for adequate clearance and required installation materials
- Touch Up Kit included

AH
APC
CCH
FE
PE
RD
RTK

	A-MIN.	A-MAX.	B	C-FOL	C-POL
DSB30 BUTT	23 3/4"	28"	2 7/8"	10"	10 1/2"
DSB33 BUTT	26 3/4"	31"	2 7/8"	10"	10 1/2"
DSB36 BUTT	29 3/4"	34"	2 7/8"	10"	10 1/2"

### Deep Sink/Range Base • 2 Doors

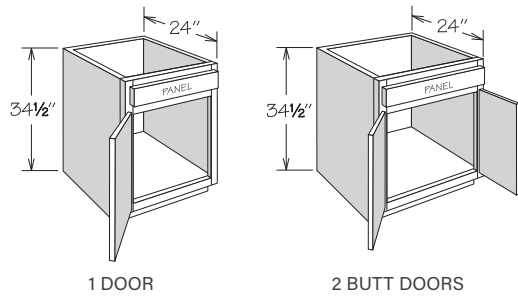


- No shelf
- Accommodates farm sinks
- Apron stiles are 3/8" wide and trimmable
- A cutout exists in the door area where the 3/8" stiles are routed to 1 5/8"
- Refer to sink or appliance manufacturer's specifications for adequate clearance and required installation materials
- Touch Up Kit included

AH
APC
CCH
FE
PE
RD
RTK

	A-MIN.	A-MAX.	B	C-FOL	C-POL
DSB39	32 3/4"	37"	2 7/8"	10"	10 1/2"

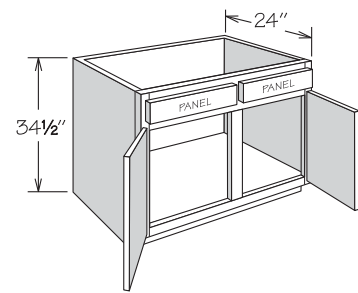
## Sink/Cooktop Base



1 DOOR 2 BUTT DOORS

- No shelf
- Full-height back
- Subtract 1/2" from width and depth for available sink bowl opening
- Refer to sink or appliance manufacturer's specifications for adequate clearance and required installation materials
- Touch Up Kit included
- Single door cabinets are hinged left and can be reversed in the field

AH
APC
CCH
FE
PE
RD
RTK



2 DOORS

### 1 DOOR

SB18  
SB21  
SB24

### 2 BUTT DOORS

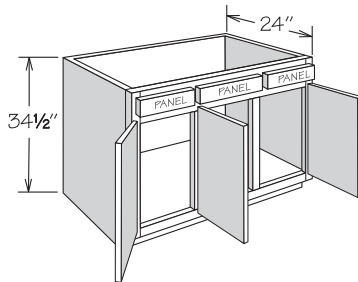
SB24 BUTT  
SB27 BUTT  
SB30 BUTT  
SB33 BUTT  
SB36 BUTT

### 2 DOORS

SB39  
SB42  
SB48

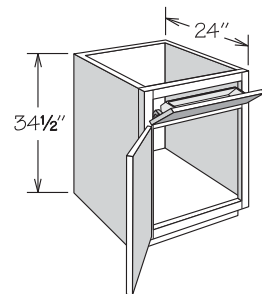
### 3 DOORS

SB45



3 DOORS

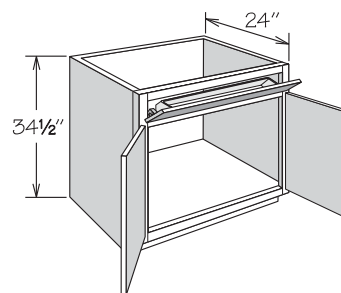
## Sink Base • 1 Stainless Tilt-Out Tray



1 DOOR

- No shelf
- Full-height back
- Subtract 1/2" from width and 3/4" from depth for available sink bowl opening
- Tilt-Out Trays are NOT dishwasher safe
- Refer to sink manufacturer's specifications for adequate clearance and required installation materials
- Touch Up Kit included
- Single door cabinets are hinged left and can be reversed in the field

AH
APC
CCH
FE
PE
RD
RTK



2 BUTT DOORS

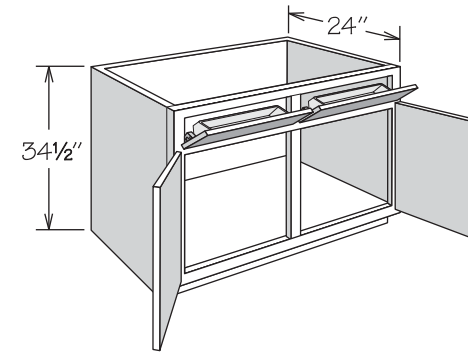
### 1 DOOR

SB21 STO  
SB24 STO

### 2 BUTT DOORS

SB24 BUTT STO  
SB27 BUTT STO  
SB30 BUTT STO  
SB33 BUTT STO  
SB36 BUTT STO

## Sink Base • 2 Stainless Tilt-Out Trays



- No shelf
- Full-height back
- Subtract 1/2" from width and 3/4" from depth for available sink bowl opening
- Tilt-Out Trays are NOT dishwasher safe
- Refer to sink manufacturer's specifications for adequate clearance and required installation materials
- Touch Up Kit included

AH
APC
CCH
FE
PE
RD
RTK

### 2 DOORS

SB39 STO  
SB42 STO  
SB48 STO

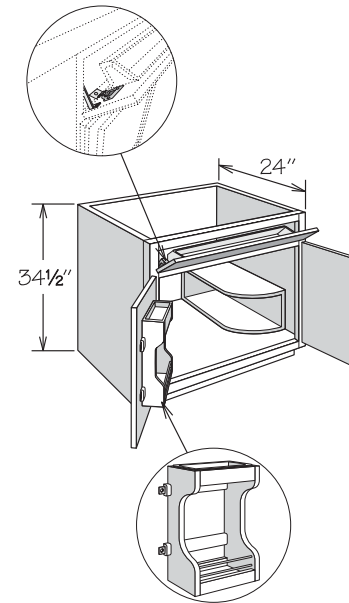
## Sink Base Multi-Storage Cabinet

NEW!

UPDATE

NEW!

NOMENCLATURE



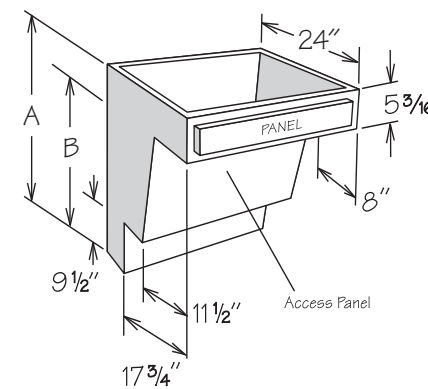
- **UPDATE:** Cabinet features:
  - » Factory installed Sink Base Door Storage Unit
  - » One Stainless Tilt-Out Tray
  - » Sink Base Multi-Storage Shelf (SBMSS) shipped separately for field installation left or right
- Full-height back
- Sink Base Multi-Storage Shelf measures 8 1/8" wide x 8" high x 1 1/2" deep
- Subtract 1/2" from width and 3/4" from depth for available sink bowl opening
- Tilt-Out Trays and Door Storage Unit trays are NOT dishwasher safe
- Refer to sink manufacturer's specifications for adequate clearance and required installation materials
- Touch Up Kit included

AH
APC
CCH
FE
PE
RTK

### 2 BUTT DOORS

SBMSC30 BUTT STO  
SBMSC36 BUTT STO

## Sink Base • Base Plumbing Skirt

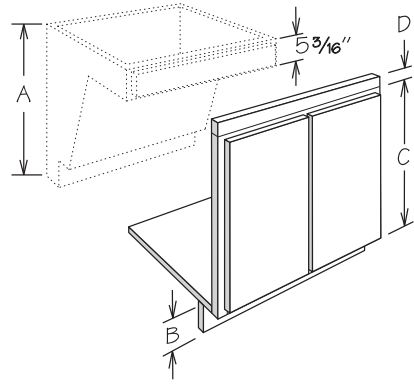


- Features kneehole drawer front - refer to door style section
- Features plywood sides
- Removable front access panel
- Subtract 1/2" from width and depth for available sink bowl opening
- Maximum available height inside cabinet for sink bowl is 5"
- Water lines, drains, and P-Trap must be installed at 6" maximum from wall
- Refer to sink manufacturer's specifications for adequate clearance and required installation materials
- Matching toe kick included
- Must be installed between two cabinets or a cabinet and a wall
- May be used with Adaptable Sink Base Kit (ASB) - order separately

APC
FE

	A	B
<b>32 1/2" High</b>		
BPS30 UD	32 1/2"	27 7/8"
BPS36 UD	32 1/2"	27 7/8"
<b>32 1/2" High</b>		
BPS3034 UD	34 1/2"	29 7/8"
BPS3634 UD	34 1/2"	29 7/8"

### Adaptable Sink Base Kit



- For use with Base Plumbing Skirt (BPS) - MUST be ordered separately
- Kit contains:
  - » Face frame with hinged butt doors
  - » One Tall Filler (S3S396)
  - » Two Drawer Fasteners (DDF FASTENER)
  - » One Sink Floor (FL36)
  - » One Hardwood Cleat (HWC 2X4X96)
  - » Installation instructions
- Features CushionClose hinges for all door styles
- Kit must be assembled in the field

A BPS	B DESIRED TOE KICK HEIGHT	C FACE FRAME HEIGHT	D S3S TRIMMED	KIT
32 1/2"	2"	24 1/2"	1 3/16"	ASB_34 KIT
32 1/2"	4"	20 5/8"	2 1/16"	ASB_32 KIT
34 1/2"	4"	24 1/2"	1 3/16"	ASB_34 KIT

**20 5/8" Frame**

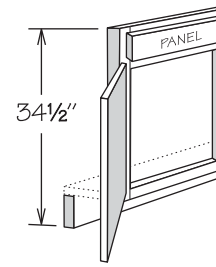
- ASB3032 KIT
- ASB3632 KIT

**24 1/2" Frame**

- ASB3034 KIT
- ASB3634 KIT

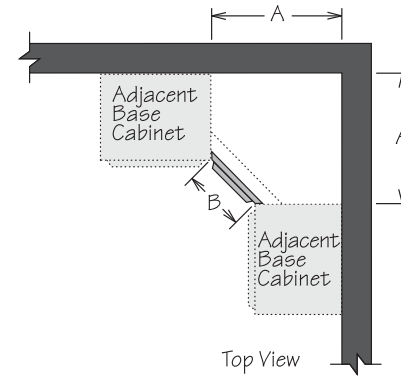
CCH

### Corner Sink Front



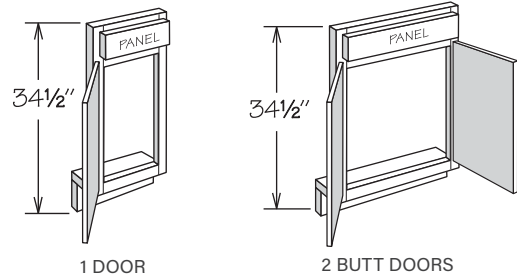
- Vertical edges of frame are mitered to attach to adjacent cabinet frames
- Order floor and returns separately (field trimming may be required) - refer to Panel Section for availability (pages 185-187)

	A	B
CSF36	35 3/32"	16 15/16"
CSF42	42 1/32"	25 15/16"



### Sink/Cooktop Front

CCH



- SF45 is hinged as shown - can be reversed in the field
- Order floor and returns separately (field trimming may be required) - refer to Panel Section for availability (pages 186-187)

**1 DOOR**

- SF12
- SF15
- SF18
- SF21
- SF24

**2 BUTT DOORS**

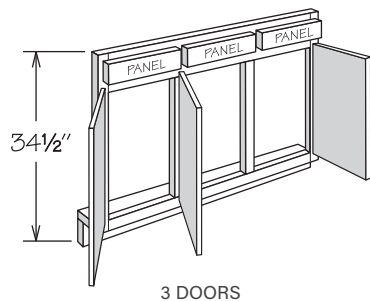
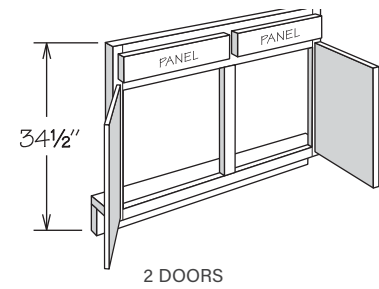
- SF24 BUTT
- SF27 BUTT
- SF30 BUTT
- SF33 BUTT
- SF36 BUTT

**2 DOORS**

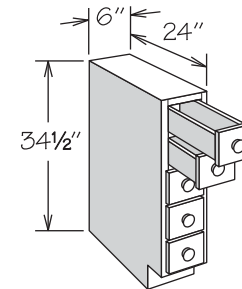
- SF39
- SF42
- SF48

**3 DOORS**

- SF45



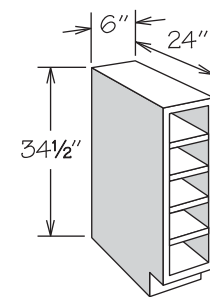
### Base Spice Drawer Cabinet



- All door styles feature veneered engineered wood with exterior only finished to match cabinet box exterior
- Five individual full-depth drawers without glides
- Flush sides with no face frame or 1/4" reveals
- All wood drawer body with dovetail construction
- Wood door styles feature matching wood knobs
- Breeze, Linen, and Pewter door styles feature white porcelain knobs
- Features 1/2" thick slab drawer fronts for all door styles

BSDC6

### Base Wine Rack Cabinet

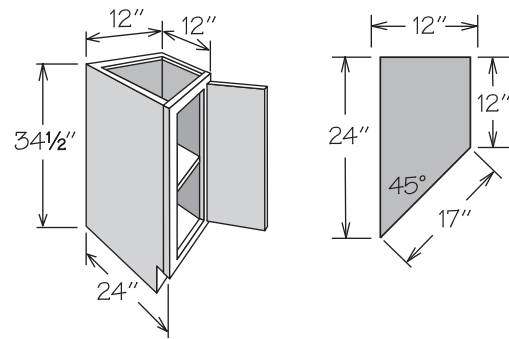


- All door styles feature veneered engineered wood finished to match cabinet box exterior
- Interior finished to match cabinet box exterior
- Accommodates five wine bottles (each opening measures: 5" high x 4 1/2" wide)
- 3/4" sides and shelves
- Flush sides with no face frame or 1/4" reveals
- Cannot be retrofitted with Base Spice drawers

BWRC6



### Base End Angle • 1 Door



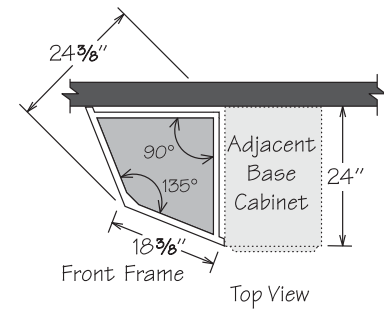
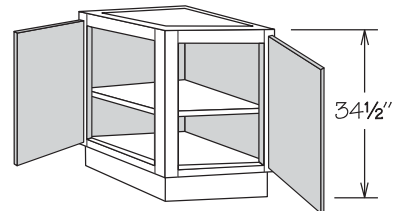
BEA12R FH is shown

- Full-height door
- One adjustable shelf
- Only available with RD-23 through RD-18
- Recessed Toe Kick Option (RTK) only available on 12" side
- Cabinet dimensions are for reference purposes ONLY - countertop must be measured and fabricated after cabinet installation

APC
CCH
FE
PE
RD
RTK

BEA12L FH  
BEA12R FH

### Base End Angle • 2 Doors

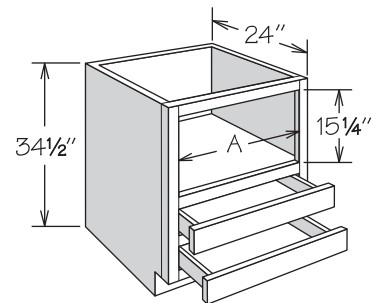


- Features a solid top
- One adjustable shelf
- Requires 24" x 24" space
- Cabinet dimensions are for reference purposes ONLY - countertop must be measured and fabricated after cabinet installation

APC
CCH
PE

BEA24 FH

### Base Microwave Cabinet • 2 Drawers

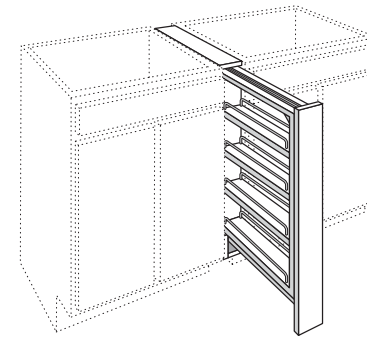


- Microwave opening finished to match cabinet box exterior
- Designed to accommodate countertop style microwave
- Features two standard depth drawers
- Accent molding recommended (order separately)
- Refer to appliance manufacturer's specifications for adequate clearances

AH
APC
CCDW
FE
PE
RD
RTK

	A
BMC24	20 3/4"
BMC27	23 3/4"
BMC30	26 3/4"

### Base Filler Pull-Out



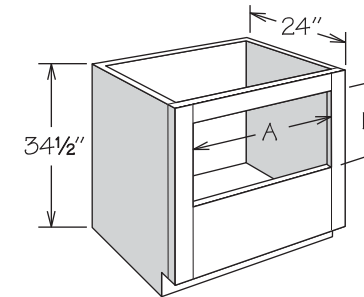
- Features full-extension CushionClose glides
- Must be installed between two base cabinets behind the face frames in 3" (BFP3) or 6" (BFP6) of floor space
- Cannot be installed next to an appliance or at the end of a run
- No side panels or toe kick
- Filler shipped unattached for field installation
- An overlay filler is recommended for full overlay door styles (order separately)
- Two fixed and two adjustable wood shelves with chrome rails
- Decorative hardware strongly recommended

#### SHELF WIDTH

BFP3 CC  
BFP6 CC

2 1/8"  
5 1/8"

### Base Oven Cabinet Universal



- Designed for mounting single oven below countertop
- 3" top rail is field removable and field trimmable
- 3 1/8" stiles
- Will accommodate certain cooktops (in conjunction with under-counter oven) or drop-in ranges
- Most ovens require a top rail of varying heights to create a finished look and clear the countertop overhang
- Refer to appliance manufacturer's specifications for adequate clearances and required installation materials

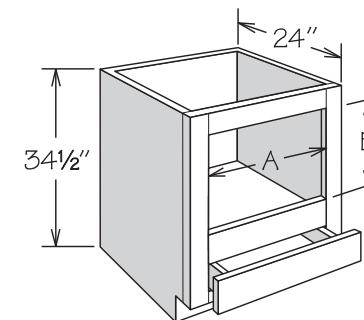
AH
APC
FE
PE
RD
RTK

	A-MIN.	A-MAX.	B-MIN.	B-MAX.*
BOCU27	20 3/4"	24 15/16"	18 1/4"	29"
BOCU30	23 3/4"	27 15/16"	18 1/4"	29"
BOCU33	26 3/4"	30 15/16"	18 1/4"	29"

\*Trimming/removal of top rail required

### Built-In Base Microwave Cabinet

NEW! PRODUCT



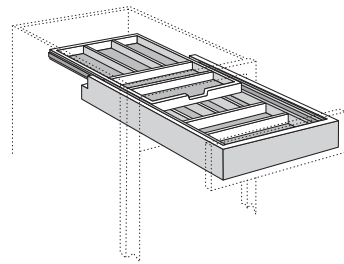
- Designed to accommodate built-in style microwaves with trim kit
- Features one standard depth drawer
- 3 1/4" top rail is field trimmable
- 3 1/8" stiles
- Refer to appliance manufacturer's specifications for adequate clearances and required installation materials

AH
APC
FE
PE
RD
RTK

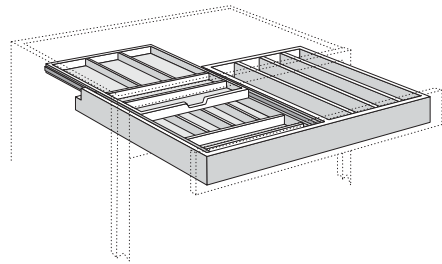
	A-MIN.	A-MAX.	B-MIN.	B-MAX.
BBMC24	17 3/4"	22"	15 5/8"	21 1/8"
BBMC27	20 3/4"	25"	15 5/8"	21 1/8"
BBMC30	23 3/4"	28"	15 5/8"	21 1/8"



### Wood Tiered Cutlery Divider Kit



18" Wide Shown

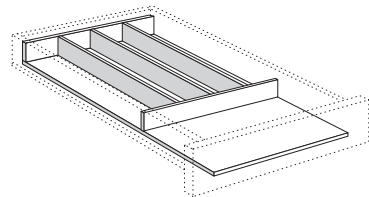
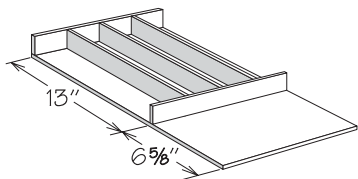


30" Wide Shown

- Available as factory installed
- Dovetail CushionClose Drawer upgrade required
- Field installed accessory replaces existing drawer box
- Glides are NOT included — reuse existing drawer glides
- Solid hardwood and plywood in natural finish
- Double-tiered cutlery divider slides independently from drawer
- Can be installed in cabinets with single drawer or side-by-side drawer configurations
- Not sized to fit cabinets with Reduced Depth Option

WIDTH	UPPER SECTIONS	LOWER SECTIONS	COOKING UTENSIL SECTIONS
WTCDFD15	5	5	-
WTCDFD18	5	6	-
WTCDFD21	6	7	-
WTCDFD24	7	7	-
WTCDFD30	5	5	4
WTCDFD36	5	5	5

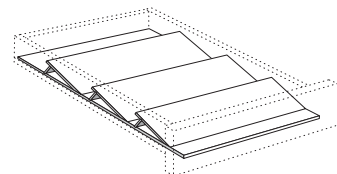
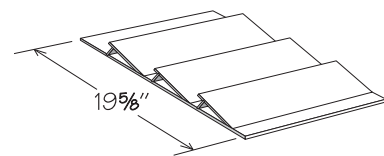
### Cutlery Divider Kit



- Available as factory installed
- Field installation accessory
- Solid hardwood and plywood in natural finish
- Sized to fit in a dovetail drawer box or field trim to fit drawers with side-mounted glides
- Not sized to fit cabinets with Reduced Depth Option

	NUMBER OF SECTIONS	WIDTH
CDAK15	4	9 3/4"
CDAK18	5	12 3/4"
CDAK21	6	15 3/4"
CDAK24	6	18 3/4"
CDAK30	7	24 3/4"
CDAK36	8	30 3/4"

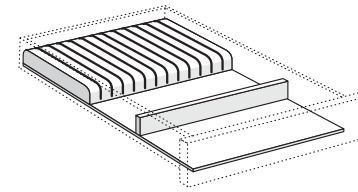
### Spice Drawer Insert Kit



- Available as factory installed
- Field installation accessory
- Solid hardwood and plywood in natural finish
- Accommodates most spice containers (not included)
- Sized to fit in a dovetail drawer box or field trim to fit drawers with side-mounted glides
- Not sized to fit cabinets with Reduced Depth Option

	WIDTH
SDIAK15	9 3/4"
SDIAK18	12 3/4"
SDIAK21	15 3/4"
SDIAK24	18 3/4"

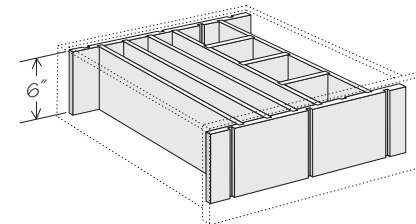
### Knife Block Drawer Insert Kit



- Sized to fit in a dovetail drawer box or field trim to fit drawers with side-mounted glides
- Field installation accessory
- Solid hardwood in natural finish
- Features knife slots with hilt rest for easy knife removal
- Not sized to fit cabinets with Reduced Depth Option

	NUMBER OF KNIFE SLOTS	WIDTH
KBDIK15	10	9 3/4"
KBDIK18	13	12 3/4"
KBDIK21	16	15 3/4"
KBDIK24	19	18 3/4"

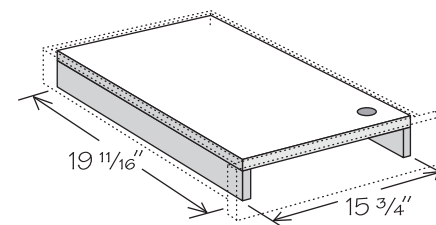
### Adjustable Drawer Divider Kit



- Field installation accessory
- For use in large drawers only
- Can be field trimmed in width and depth to accommodate 21" - 36" wide drawers and cabinets with the Reduced Depth Option
- Kit includes:
  - » Front and back panels with grooves
  - » Vertical dividers - two are grooved to accept horizontal dividers
  - » Horizontal dividers
  - » Installation screws

	NUMBER OF VERTICAL DIVIDERS	NUMBER OF HORIZONTAL DIVIDERS
ADDIK21/24	3	3
ADDIK27/30	5	3
ADDIK33/36	6	3

### Drawer Work Surface

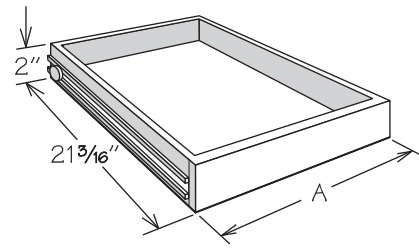


- Sized to fit in a 21" wide dovetail drawer box or field trim to fit drawers with side-mounted glides
- Field installation accessory
- Work surface only - not to be used as a cutting board
- Workboard sits on two wooden supports to flush out top of drawer
- Not sized to fit cabinets with Reduced Depth Option

DWS21

### Sliding Shelf Kit

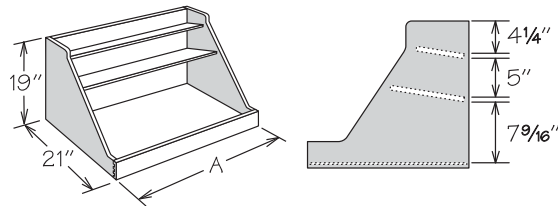
CCSS  
RD



- Field installation accessory
- Engineered wood drawer with solid hardwood front, MDF bottom, and side-mounted drawer glides
- Includes sliding shelf, all glide hardware and instructions
- SSKs can be used with all single and double door base cabinets
- SSK drill template is required for all double door cabinets that have fixed center stile - contact Partner Team for drill template

SLIDING SHELF KIT	A	4 PACK SLIDING SHELF KIT	A
SSK12	8 1/2"	USS12-4K	8 1/2"
SSK15	11 1/2"	USS15-4K	11 1/2"
SSK18	14 1/2"	USS18-4K	14 1/2"
SSK19	16"	USS21-4K	17 1/2"
SSK21	17 1/2"	USS24-4K	20 1/2"
SSK24	20 1/2"	USS27-4K	23 1/2"
SSK27	23 1/2"	USS30-4K	26 1/2"
SSK30	26 1/2"	USS33-4K	29 1/2"
SSK33	29 1/2"	USS36-4K	32 1/2"
SSK36	32 1/2"		

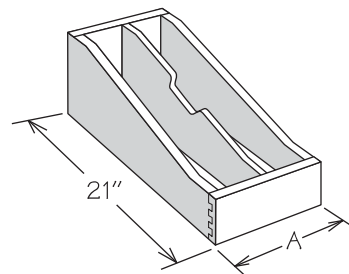
### Base Pot & Pan Organizer Kit



- Field installation accessory
- Natural finish solid wood and wood veneer with dovetail (front only) construction and full-extension CushionClose glides
- Top shelf of organizer measures 6 3/16" deep
- Middle shelf of organizer measures 9 3/4" deep
- Not sized to fit reduced depth cabinets

	A	BASE CABINET SIZE	OVEN CABINET SIZE
BPPOKCC24	19 3/4"	24"	27"
BPPOKCC27	22 3/4"	27"	30"
BPPOKCC30	25 3/4"	30"	33"
BPPOKCC33	28 3/4"	33"	—
BPPOKCC36	31 3/4"	36"	—

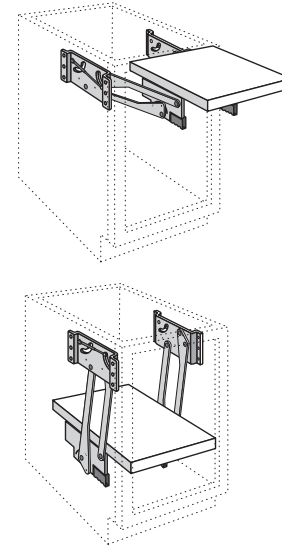
### Roll-Out Tray Divider Kit



- Field installation accessory
- Natural finish solid wood and wood veneer with dovetail (front only) construction and full-extension drawer glides
- ROTDK12 features two compartments (one partition)
- ROTDK15 features three compartments (two partitions)
- Partition(s) are field installed
- Not sized to fit reduced depth cabinets

	A	CABINET SIZE
ROTDKCC12	7 3/4"	12"
ROTDKCC15	10 3/4"	15"

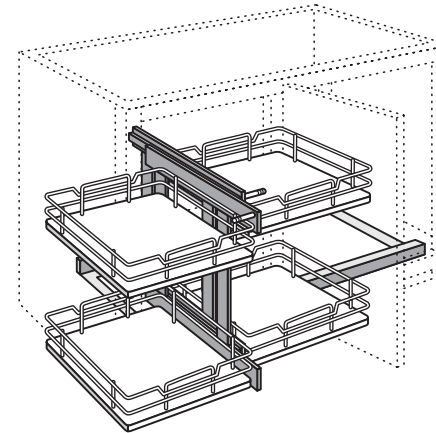
### Base Mixer Lift Kit



- Field installation accessory
- Includes 1 3/8" thick natural finish solid wood shelf and one pair of shock dampening, adjustable tension lifts
- Cannot be used with Sliding Shelf or adjustable shelf
- Supports up to 60 pounds
- For use with B18 FH with the Furniture Ends Option
- Mounts to cabinet side panels
- Not sized to fit cabinets with Reduced Depth Option

BMLK18

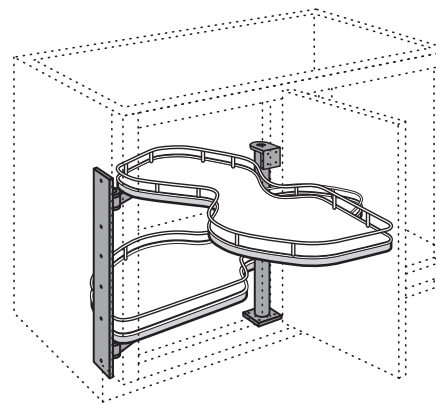
### Blind Base Pull Out Kit



- Field installation accessory
- Can be reversed for left or right installation
- Two-tiered organizer features four chrome finish wire shelves with engineered wood bottoms with woodgrain look
- Features full-extension 100-pound rated glides
- For use with BLB45/48 FH or BLB48/51 FH with the Furniture Ends Option
- Not sized to fit cabinets with Reduced Depth Option
- Unit requires 19 1/4" of clearance in front of cabinet to pull the unit out, and 12 1/2" of side clearance to slide the unit over (see page 113 for more details)
- Baskets are able to be repositioned to allow clearance of deeper adjacent objects up to 26"

BLBP0K45

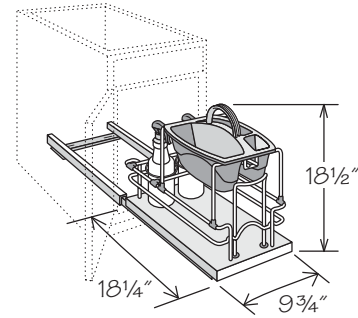
### Blind Base Swing Out Kit



- Kit is not reversible and must be ordered as left or right - BLB\_L uses a BLBSOK45R and a BLB\_R uses a BLBSOK45L
- Field installation accessory
- Two-tiered organizer features two chrome finish wire shelves with engineered wood bottoms with woodgrain look
- Supports up to 45 pounds per shelf
- Recommended for use with BLB45/48 FH or BLB48/51 FH, can also be used with BLB45/48 or BLB48/51 - Furniture End Option required
- Mounts to cabinet side panel and telescopic pole (included)
- Not sized to fit cabinets with Reduced Depth Option
- Refer to page 113 for shelf clearances

BLBSOK45L  
BLBSOK45R

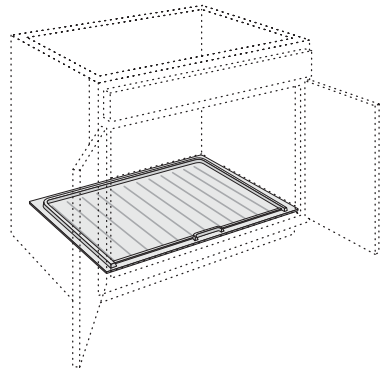
## Cleaning Caddy Pullout Kit



- Features metal and wire CushionClose pull-out organizer with two 1L spray bottles and one removable gray cleaning caddy
- Unit is configurable so that spray bottles can be installed at the front or back
- Supports up to 75 pounds
- For use with 15" or wider base cabinet
- Mounts to cabinet floor
- For use in 24" deep cabinets or cabinets with RD-23 through RD-21

CCPOK

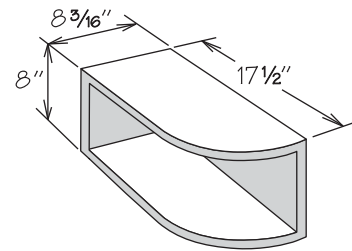
## Sink Base Mat



- Field installation accessory
- Designed to funnel any leaks or spills out the front of the cabinet while protecting the cabinet floor
- Features flexible material in gray finish - easily trimmable
- Minor field trimming required for use in Deep Sink Base cabinets
- Not sized or trimmable to fit cabinets with Reduced Depth Option
- SBMAT39 is notched for center stile

SBMAT30  
SBMAT33  
SBMAT36  
SBMAT39

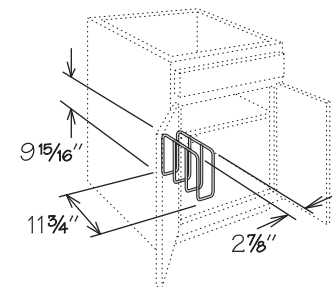
## Sink Base Multi-Storage Shelf



- Field installation accessory
- 3/4" plywood with natural finish
- Invert for left or right installation

SBMSS

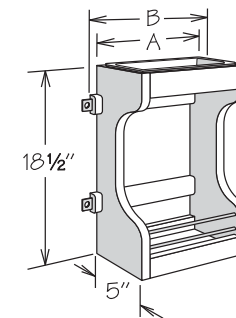
## Cabinet Tray Divider



- Field installation accessory
- Chrome finish
- For use in 24" deep cabinets or cabinets with RD-23 through RD-14
- Mounting hardware included

TD3

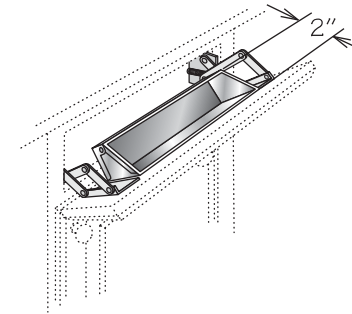
## Sink Base Door Storage Unit



- Field installation accessory
- Natural finish solid wood
- Two fixed shelves
- Cannot be used with sliding shelf
- Full-depth shelf must be field trimmed to half-depth
- Removable white plastic tray is NOT dishwasher safe
- SBDSU15 mounts to 15" or 16" wide base door
- SBDSU18 mounts to 18" or 19" wide base door
- Not sized to fit Deep Sink Base (DSB) cabinet doors

	A	B
SBDSU15	9"	10 1/2"
SBDSU18	10 1/2"	13 1/2"

## Tilt-Out Tray Kit

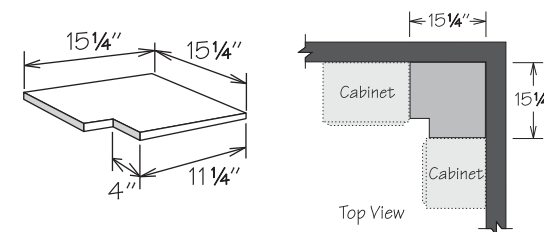


- Field installation accessory
- Kit features tray and one pair of scissor hinges
- Order units individually
- STO TRAY 11:
  - » Order one unit for SB18
- STO TRAY 14:
  - » Order one unit for SB21, SB24, SB27 or CSF42
  - » Order two units for SB39, SB42 or SB48
- STO TRAY 22:
  - » Order one unit for SB30, SB33, or SB36
- Sink front units match sink base sizes as noted above
- Tilt-Out Trays are NOT dishwasher safe

### STAINLESS

STO TRAY 11  
STO TRAY 14  
STO TRAY 22

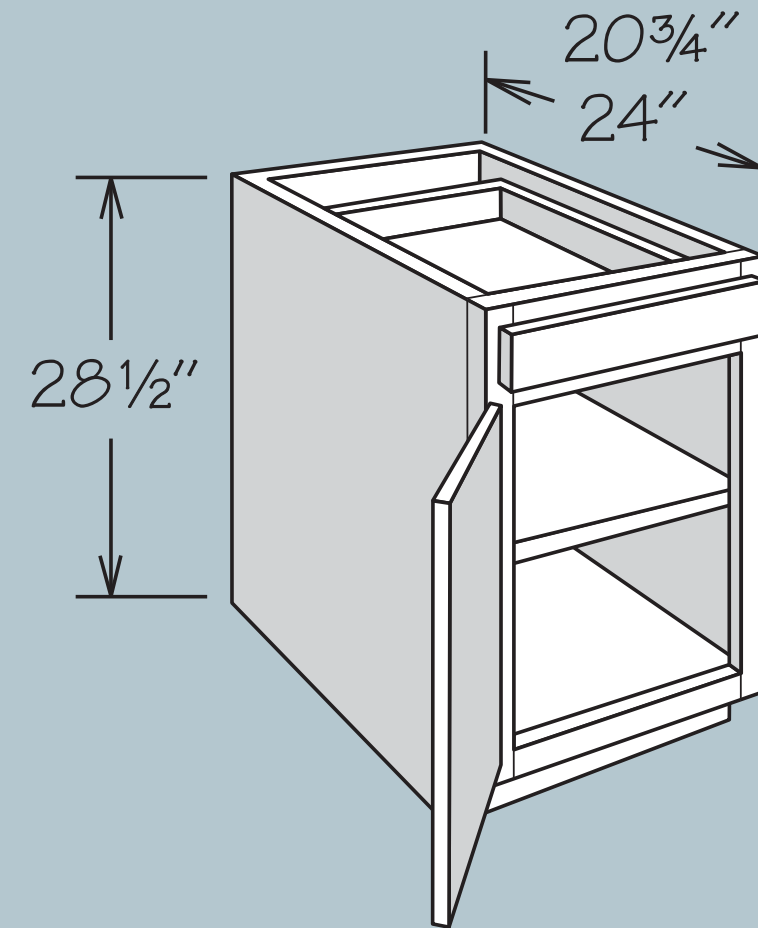
## Blind Corner Closure



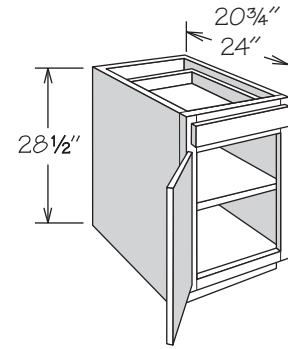
- Features 1/2" engineered wood with natural woodgrain look finished on both sides
- Field trimmable

BLC1515

# DESK CABINETS & BOOKSHELVES



### Desk Cabinet • 1 Door and 1 Drawer



- One full-depth adjustable shelf
- May be accessorized with one sliding shelf
- Recommend mounting sliding shelf on cabinet floor (order separately)

APC
CCH
CCDW
CFO
FE
PE
RD
RTK

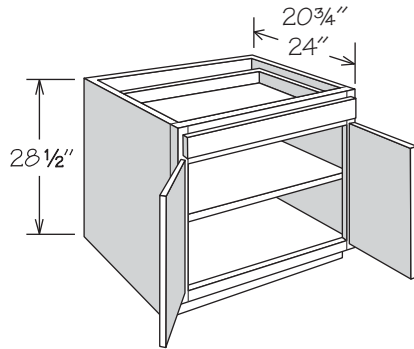
#### 24" DEEP

DDO1224  
DDO1524  
DDO1824  
DDO2124

#### 21" DEEP

DDO1221  
DDO1521  
DDO1821  
DDO2121

### Desk Cabinet • 2 Butt Doors and 1 Drawer



- One full-depth adjustable shelf
- May be accessorized with one sliding shelf
- Recommend mounting sliding shelf on cabinet floor (order separately)

APC
CCH
CCDW
CFO
FE
PE
RD
RTK

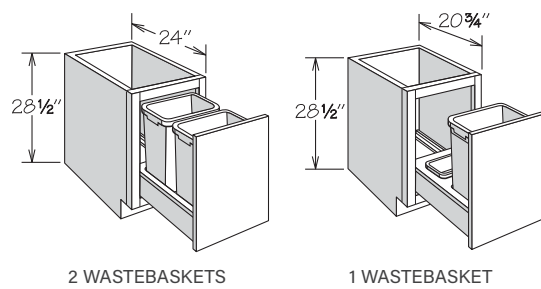
#### 24" DEEP

DDO2424 BUTT

#### 21" DEEP

DDO2421 BUTT

### Desk Cabinet • 1 Door with Wastebasket Pull-Out



- DWBB1821 wastebasket pull-out features heavy-duty CushionClose full-extension glides (100 pound rated)
- DWBB1824 wastebasket pull-out features heavy-duty full-extension glides (100 pound rated)
- Full-height door
- Wastebasket rests in a natural finish wood frame
- DWBB1824 features two silver plastic 35-quart capacity bins
- DWBB1821 features one silver plastic 35-quart capacity bin and bag storage tray at rear (not dishwasher safe)
- Decorative hardware strongly recommended

APC
CCDW
FE
PE
RTK

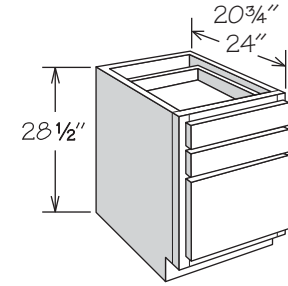
#### 24" DEEP • 2 WASTEBASKETS

DWBB1824 ■

#### 21" DEEP • 1 WASTEBASKET

DWBB1821

### Desk Drawer Cabinet • 3 Drawers



- One large and two standard drawers
- Large drawer cannot be used as a file drawer

APC
CCDW
CFO
FE
PE
RD
RTK

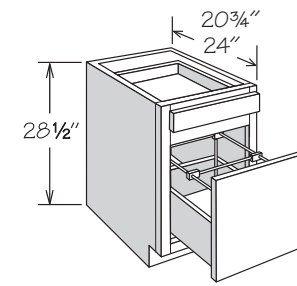
#### 24" DEEP

DDR1224  
DDR1524  
DDR1824  
DDR2124  
DDR2424

#### 21" DEEP

DDR1221  
DDR1521  
DDR1821  
DDR2121  
DDR2421

### Desk Cabinet • 1 Drawer and Door with File Pull-Out



- One standard top drawer
- Features one natural finish wood drawer body attached to door pull-out
- File unit packaged separately for field installation
- Will accept letter or legal-size hanging files

APC
CCDW
FE
PE
RTK

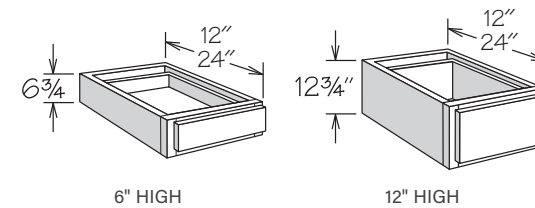
#### 24" DEEP

DFDC1824

#### 21" DEEP

DFDC1821

### Furniture Drawer Cabinet • 1 Drawer



- 6" high features one standard drawer and 12" high features one large drawer
- 24" deep Furniture Drawer cabinets are only available with RD-23 through RD-13
- Bottom of cabinet frame must be fully supported

APC
CCDW
CFO
FE
PE
RD

#### 6" HIGH • 1 DRAWER

##### 12" Deep

FD121206  
FD151206  
FD181206  
FD211206  
FD241206  
FD271206  
FD301206  
FD331206  
FD361206

##### 24" Deep

FD122406 ■  
FD152406 ■  
FD182406 ■  
FD212406 ■  
FD242406 ■  
FD272406 ■  
FD302406 ■  
FD332406 ■  
FD362406 ■

#### 12" HIGH • 1 DRAWER

##### 12" Deep

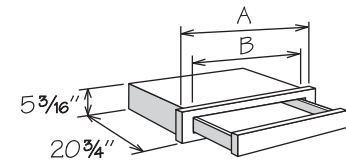
FD121212  
FD151212  
FD181212  
FD211212  
FD241212  
FD271212  
FD301212  
FD331212  
FD361212

##### 24" Deep

FD122412 ■  
FD152412 ■  
FD182412 ■  
FD212412 ■  
FD242412 ■  
FD272412 ■  
FD302412 ■  
FD332412 ■  
FD362412 ■

## Kneehole Drawer Cabinet

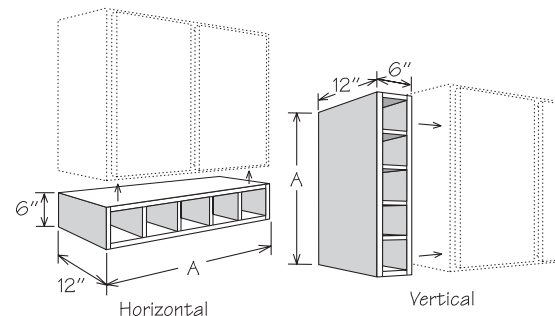
CCDW
RD



- Designed for desk or vanity application
- Field trimmable in height to 4 3/4"
- Field trimmable in depth to 18" or available with RD-20 through RD-12
- Drawer front complements door style - refer to door style section

	A	B	MAX. TRIM
KDC27/21	27"	17 3/4"	21" (3" each side)
KDC33/27	33"	23 3/4"	27" (3" each side)
KDC36/33	36"	29 3/4"	33" (1 1/2" each side)

## Storage Cube



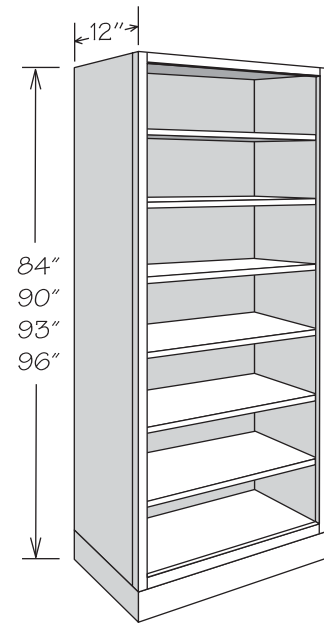
30" Shown

- Vertical installation may require the use of fillers and/or molding which must be ordered separately
- Opening size is 5" wide x 4 1/2" high (horizontal) which will accommodate most envelopes and various other office supplies
- All door styles feature 3/4" veneered engineered wood finished to match cabinet box exterior
- Flush sides with no face frame or 1/4" reveals
- Interior finished to match cabinet box exterior
- Cannot be retrofitted with Spice Drawer Cabinet drawers

	A	NUMBER OF OPENINGS
SC30	30"	5
SC36	36"	6
SC42	42"	7

## Tall Bookshelf

APC
FE
ID
PE
RD



96" High Shown

- Interior finished to match cabinet box exterior
- Flush furniture toe kick
- Toe kick shipped unattached for 93" and 96" high bookshelves
- 2 3/32" veneered adjustable shelves packaged separately

### 12" DEEP

#### 96"H • 6 Shelves

BS1896  
BS2496  
BS3096  
BS3696

#### 93"H • 6 Shelves

BS1893  
BS2493  
BS3093  
BS3693

#### 90"H • 6 Shelves

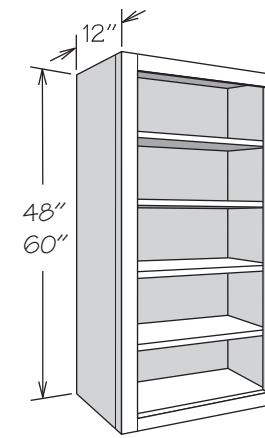
BS1890  
BS2490  
BS3090  
BS3690

#### 84"H • 5 Shelves

BS1884  
BS2484  
BS3084  
BS3684

## Wall Bookshelf

APC
FE
ID
PE
RD



60" High Shown

- Interior finished to match cabinet box exterior
- 2 3/32" adjustable shelves packaged separately

### 12" DEEP

#### 60"H • 4 Shelves

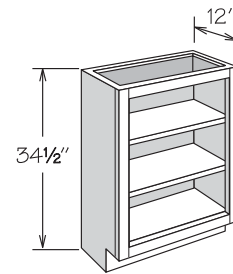
BS1860  
BS2460  
BS3060  
BS3660

#### 48"H • 3 Shelves

BS1848  
BS2448  
BS3048  
BS3648

## Base Bookshelf

APC
FE
ID
PE
RD
RTK



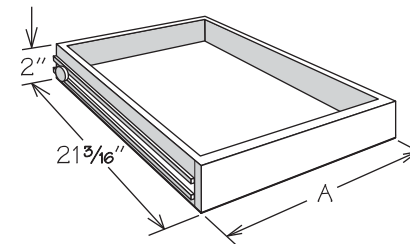
- Interior finished to match cabinet box exterior
- Two adjustable 2 3/32" shelves packaged separately

### 12" DEEP

BS2434

## Sliding Shelf Kit

CCSS
RD



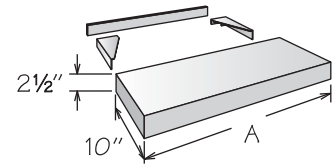
- Field installation accessory
- Engineered wood drawer with solid hardwood front, MDF bottom, and side-mounted drawer glides
- Includes sliding shelf, all glide hardware, and instructions
- SSKs can be used with all single and double door base cabinets
- SSK drill template is required for all double door cabinets that have fixed center stile - contact Partner Team for drill template

### SLIDING SHELF KIT

	A
SSK12	8 1/2"
SSK15	11 1/2"
SSK18	14 1/2"
SSK21	17 1/2"
SSK24	20 1/2"



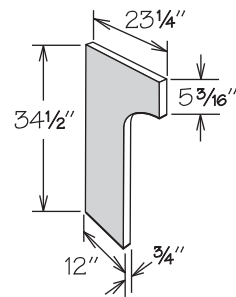
### Floating Shelf



- Not trimmable
- Finished on all sides to match cabinet box exterior
- Constructed of engineered wood top and bottom and solid wood front and sides
- When installed between two cabinets, Furniture Ends (FE) or Wall End Panel (WEP) is recommended for adjacent cabinets
- Must be secured to studs in wall
- Installation instructions, mounting brackets, and screws included

10" DEEP	A	MAX. LOAD
FLSH2410	24"	30 lbs.
FLSH3010	30"	37 lbs.
FLSH3610	36"	45 lbs.
FLSH4210	42"	52 lbs.
FLSH4810	48"	60 lbs.

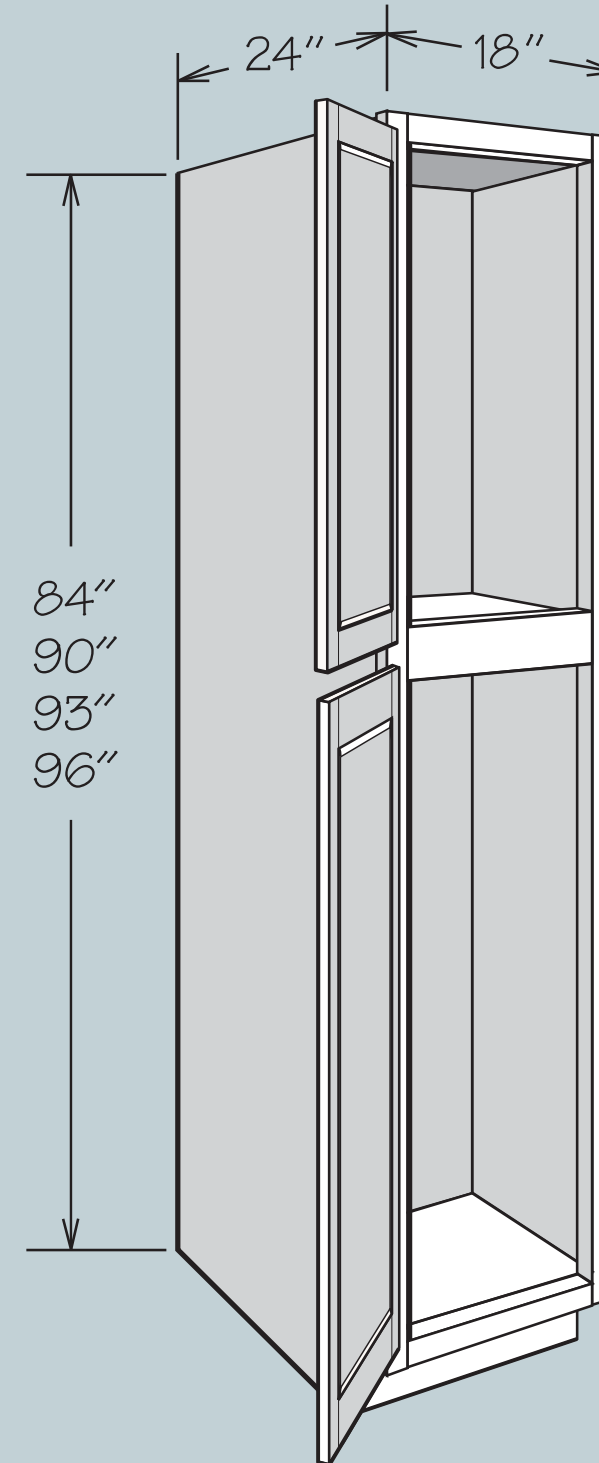
### Desk End Panel



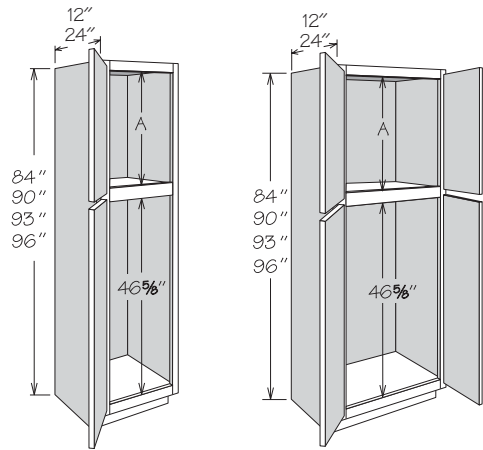
- All door styles feature 3/4" veneered engineered wood finished to match cabinet box exterior on both sides
- Recommend QM8 be ordered for installation to ensure proper attachment to wall
- Field trimmable
- Edge banded on front

34 1/2" HIGH
DEP

## TALL CABINETS



# Utility Cabinet



2 DOORS 4 BUTT DOORS

84" High Shown

- Shelving and optional interior accessories may be ordered separately (refer to Utility Cabinet Accessories for details)
- Cabinet backs are pre-drilled to accept up to four sliding shelves in lower section
- 4" inset toe kick assembly shipped inside 93" and 96" high cabinet — 33" wide x 93" high toe kicks ship as two pieces - seam will be visible between toe kick box and side of cabinet
- Two door cabinets must be ordered hinged left or right
- Specialty Door cabinets (SD) feature Matching Interior standard and require a specialty door selection
- Bottom doors have a center rail for select door styles - refer to door style section

AH
APC
CCH
CFO
FE
MI
PE
RD

## 2 DOORS • 12" DEEP

<b>96" H</b>	<b>90" H</b>
UT1212 X 96 ■	UT1212 X 90 ■
UT1512 X 96 ■	UT1512 X 90 ■
UT1812 X 96 ■	UT1812 X 90 ■
UT2112 X 96 ■	UT2112 X 90 ■
UT1212 X 96 SD	UT1212 X 90 SD
UT1512 X 96 SD	UT1512 X 90 SD
UT1812 X 96 SD	UT1812 X 90 SD
UT2112 X 96 SD	UT2112 X 90 SD
<b>93" H</b>	<b>84" H</b>
UT1212 X 93 ■	UT1212 X 84 ■
UT1512 X 93 ■	UT1512 X 84 ■
UT1812 X 93 ■	UT1812 X 84 ■
UT2112 X 93 ■	UT2112 X 84 ■
UT1212 X 93 SD	UT1812 X 84 SD
UT1512 X 93 SD	UT1212 X 84 SD
UT1812 X 93 SD	UT1512 X 84 SD
UT2112 X 93 SD	UT2112 X 84 SD

## 2 DOORS • 24" DEEP

<b>96" H</b>	<b>90" H</b>
UT1224 X 96 ■	UT1224 X 90 ■
UT1524 X 96 ■	UT1524 X 90 ■
UT1824 X 96 ■	UT1824 X 90 ■
UT2124 X 96 ■	UT2124 X 90 ■
UT1224 X 96 SD	UT1224 X 90 SD
UT1524 X 96 SD	UT1524 X 90 SD
UT1824 X 96 SD	UT1824 X 90 SD
UT2124 X 96 SD	UT2124 X 90 SD
<b>93" H</b>	<b>84" H</b>
UT1224 X 93 ■	UT1224 X 84 ■
UT1524 X 93 ■	UT1524 X 84 ■
UT1824 X 93 ■	UT1824 X 84 ■
UT2124 X 93 ■	UT2124 X 84 ■
UT1224 X 93 SD	UT1224 X 84 SD
UT1524 X 93 SD	UT1524 X 84 SD
UT1824 X 93 SD	UT1824 X 84 SD
UT2124 X 93 SD	UT2124 X 84 SD

## 4 BUTT DOORS • 12" DEEP

<b>96" H</b>	<b>90" H</b>
UT2412 X 96 BUTT ■	UT2412 X 90 BUTT ■
UT2412 X 96 BUTT SD	UT2412 X 90 BUTT SD
<b>93" H</b>	<b>84" H</b>
UT2412 X 93 BUTT ■	UT2412 X 84 BUTT ■
UT2412 X 93 BUTT SD	UT2412 X 84 BUTT SD

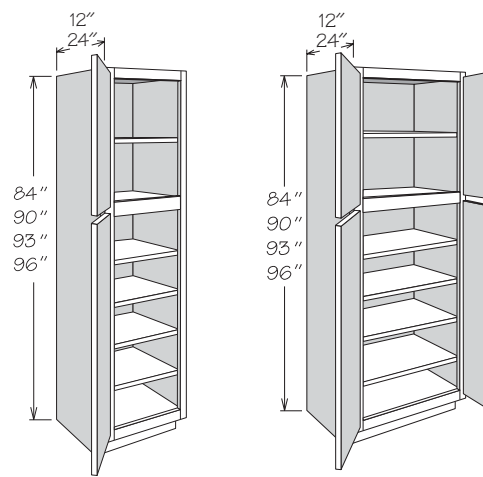
## 4 BUTT DOORS • 24" DEEP

<b>96" H</b>	<b>90" H</b>
UT2424 X 96 BUTT ■	UT2424 X 90 BUTT ■
UT2724 X 96 BUTT ■	UT2724 X 90 BUTT ■
UT3024 X 96 BUTT ■	UT3024 X 90 BUTT ■
UT3324 X 96 BUTT ■	UT3324 X 90 BUTT ■
UT3624 X 96 BUTT ■	UT3624 X 90 BUTT ■
UT2424 X 96 BUTT SD	UT2424 X 90 BUTT SD
UT2724 X 96 BUTT SD	UT2724 X 90 BUTT SD
UT3024 X 96 BUTT SD	UT3024 X 90 BUTT SD
UT3324 X 96 BUTT SD	UT3324 X 90 BUTT SD
UT3624 X 96 BUTT SD	UT3624 X 90 BUTT SD
<b>93" H</b>	<b>84" H</b>
UT2424 X 93 BUTT ■	UT2424 X 84 BUTT ■
UT2724 X 93 BUTT ■	UT2724 X 84 BUTT ■
UT3024 X 93 BUTT ■	UT3024 X 84 BUTT ■
UT3324 X 93 BUTT ■	UT3324 X 84 BUTT ■
UT3624 X 93 BUTT ■	UT3624 X 84 BUTT ■
UT2424 X 93 BUTT SD	UT2424 X 84 BUTT SD
UT2724 X 93 BUTT SD	UT2724 X 84 BUTT SD
UT3024 X 93 BUTT SD	UT3024 X 84 BUTT SD
UT3324 X 93 BUTT SD	UT3324 X 84 BUTT SD
UT3624 X 93 BUTT SD	UT3624 X 84 BUTT SD

### A

84" High	26 <sup>7</sup> / <sub>8</sub> "
90" High	32 <sup>7</sup> / <sub>8</sub> "
93" High	35 <sup>7</sup> / <sub>8</sub> "
96" High	38 <sup>7</sup> / <sub>8</sub> "

# Utility Cabinet • Adjustable Shelves



2 DOORS 4 BUTT DOORS

84" High Shown

- Full-depth adjustable shelves are 3/4" engineered wood and edge banded on front edge only
- Bottom section features four adjustable shelves
- All shelving packaged separately for field installation
- 4" inset toe kick assembly shipped inside 93" and 96" high cabinet — 33" wide x 93" high toe kicks ship as two pieces - seam will be visible between toe kick box and side of cabinet
- Two door cabinets must be ordered hinged left or right
- Specialty Door cabinets (SD) feature Matching Interior standard and require a specialty door selection
- Bottom doors have a center rail for select door styles - refer to door style section

AH
APC
CCH
FE
MI
PE
RD

## 2 DOORS • 12" DEEP

### 96" H • 3 Top Shelves

UT1212 X 96 AS ■
UT1512 X 96 AS ■
UT1812 X 96 AS ■
UT2112 X 96 AS ■
UT1212 X 96 AS SD
UT1512 X 96 AS SD
UT1812 X 96 AS SD
UT2112 X 96 AS SD

### 93" H • 3 Top Shelves

UT1212 X 93 AS ■
UT1512 X 93 AS ■
UT1812 X 93 AS ■
UT2112 X 93 AS ■
UT1212 X 93 AS SD
UT1512 X 93 AS SD
UT1812 X 93 AS SD
UT2112 X 93 AS SD

## 2 DOORS • 24" DEEP

### 96" H • 3 Top Shelves

UT1224 X 96 AS ■
UT1524 X 96 AS ■
UT1824 X 96 AS ■
UT2124 X 96 AS ■
UT1224 X 96 AS SD
UT1524 X 96 AS SD
UT1824 X 96 AS SD
UT2124 X 96 AS SD

### 93" H • 3 Top Shelves

UT1224 X 93 AS ■
UT1524 X 93 AS ■
UT1824 X 93 AS ■
UT2124 X 93 AS ■
UT1224 X 93 AS SD
UT1524 X 93 AS SD
UT1824 X 93 AS SD
UT2124 X 93 AS SD

### 90" H • 2 Top Shelves

UT1212 X 90 AS ■
UT1512 X 90 AS ■
UT1812 X 90 AS ■
UT2112 X 90 AS ■
UT1212 X 90 AS SD
UT1512 X 90 AS SD
UT1812 X 90 AS SD
UT2112 X 90 AS SD

### 84" H • 1 Top Shelf

UT1212 X 84 AS ■
UT1512 X 84 AS ■
UT1812 X 84 AS ■
UT2112 X 84 AS ■
UT1212 X 84 AS SD
UT1512 X 84 AS SD
UT1812 X 84 AS SD
UT2112 X 84 AS SD

### 90" H • 2 Top Shelves

UT1224 X 90 AS ■
UT1524 X 90 AS ■
UT1824 X 90 AS ■
UT2124 X 90 AS ■
UT1224 X 90 AS SD
UT1524 X 90 AS SD
UT1824 X 90 AS SD
UT2124 X 90 AS SD

### 84" H • 1 Top Shelf

UT1224 X 84 AS ■
UT1524 X 84 AS ■
UT1824 X 84 AS ■
UT2124 X 84 AS ■
UT1224 X 84 AS SD
UT1524 X 84 AS SD
UT1824 X 84 AS SD
UT2124 X 84 AS SD

## 4 BUTT DOORS • 12" DEEP

### 96" H • 3 Top Shelves

UT2412 X 96 AS BUTT ■
UT2412 X 96 AS BUTT SD

### 93" H • 3 Top Shelves

UT2412 X 93 AS BUTT ■
UT2412 X 93 AS BUTT SD

## 4 BUTT DOORS • 24" DEEP

### 96" H • 3 Top Shelves

UT2424 X 96 AS BUTT ■
UT2724 X 96 AS BUTT ■
UT3024 X 96 AS BUTT ■
UT3324 X 96 AS BUTT ■
UT3624 X 96 AS BUTT ■
UT2424 X 96 AS BUTT SD
UT2724 X 96 AS BUTT SD
UT3024 X 96 AS BUTT SD
UT3324 X 96 AS BUTT SD
UT3624 X 96 AS BUTT SD

### 93" H • 3 Top Shelves

UT2424 X 93 AS BUTT ■
UT2724 X 93 AS BUTT ■
UT3024 X 93 AS BUTT ■
UT3324 X 93 AS BUTT ■
UT3624 X 93 AS BUTT ■
UT2424 X 93 AS BUTT SD
UT2724 X 93 AS BUTT SD
UT3024 X 93 AS BUTT SD
UT3324 X 93 AS BUTT SD
UT3624 X 93 AS BUTT SD

### 90" H • 2 Top Shelves

UT2412 X 90 AS BUTT ■
UT2412 X 90 AS BUTT SD

### 84" H • 1 Top Shelf

UT2412 X 84 AS BUTT ■
UT2412 X 84 AS BUTT SD

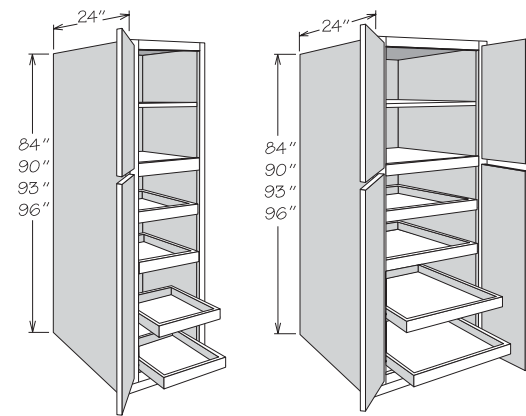
### 90" H • 2 Top Shelves

UT2424 X 90 AS BUTT ■
UT2724 X 90 AS BUTT ■
UT3024 X 90 AS BUTT ■
UT3324 X 90 AS BUTT ■
UT3624 X 90 AS BUTT ■
UT2424 X 90 AS BUTT SD
UT2724 X 90 AS BUTT SD
UT3024 X 90 AS BUTT SD
UT3324 X 90 AS BUTT SD
UT3624 X 90 AS BUTT SD

### 84" H • 1 Top Shelf

UT2424 X 84 AS BUTT ■
UT2724 X 84 AS BUTT ■
UT3024 X 84 AS BUTT ■
UT3324 X 84 AS BUTT ■
UT3624 X 84 AS BUTT ■
UT2424 X 84 AS BUTT SD
UT2724 X 84 AS BUTT SD
UT3024 X 84 AS BUTT SD
UT3324 X 84 AS BUTT SD
UT3624 X 84 AS BUTT SD

## Utility Cabinet • Sliding Shelves



2 DOORS

4 BUTT DOORS

84" High Shown

- Full-depth adjustable shelves are 3/4" engineered wood and edge banded on front edge only
- Bottom section features four sliding shelves
- All shelving and SSK sliding shelves packaged separately for field installation
- 4" inset toe kick assembly shipped inside 93" and 96" high cabinet — 33" wide x 93" high toe kicks ship as two pieces - seam will be visible between toe kick box and side of cabinet
- Engineered wood sliding shelves with solid hardwood front, MDF bottom, and side-mounted drawer glides
- Two door cabinets must be ordered hinged left or right
- Specialty Door cabinets (SD) feature Matching Interior standard and require a specialty door selection
- Bottom doors have a center rail for select door styles - refer to door style section

AH
APC
CCH
CCSS
FE
MI
PE
RD

### 2 DOORS

#### 96" H - 3 Top Shelves

- UT1224 X 96 4SSK
- UT1524 X 96 4SSK
- UT1824 X 96 4SSK
- UT2124 X 96 4SSK
- UT1224 X 96 4SSK SD
- UT1524 X 96 4SSK SD
- UT1824 X 96 4SSK SD
- UT2124 X 96 4SSK SD

#### 93" H - 3 Top Shelves

- UT1224 X 93 4SSK
- UT1524 X 93 4SSK
- UT1824 X 93 4SSK
- UT2124 X 93 4SSK
- UT1224 X 93 4SSK SD
- UT1524 X 93 4SSK SD
- UT1824 X 93 4SSK SD
- UT2124 X 93 4SSK SD

#### 90" H - 2 Top Shelves

- UT1224 X 90 4SSK
- UT1524 X 90 4SSK
- UT1824 X 90 4SSK
- UT2124 X 90 4SSK
- UT1224 X 90 4SSK SD
- UT1524 X 90 4SSK SD
- UT1824 X 90 4SSK SD
- UT2124 X 90 4SSK SD

#### 84" H - 1 Top Shelf

- UT1224 X 84 4SSK
- UT1524 X 84 4SSK
- UT1824 X 84 4SSK
- UT2124 X 84 4SSK
- UT1224 X 84 4SSK SD
- UT1524 X 84 4SSK SD
- UT1824 X 84 4SSK SD
- UT2124 X 84 4SSK SD

### 4 BUTT DOORS

#### 96" H - 3 Top Shelves

- UT2424 X 96 4SSK BUTT
- UT2724 X 96 4SSK BUTT
- UT3024 X 96 4SSK BUTT
- UT3324 X 96 4SSK BUTT
- UT3624 X 96 4SSK BUTT
- UT2424 X 96 4SSK BUTT SD
- UT2724 X 96 4SSK BUTT SD
- UT3024 X 96 4SSK BUTT SD
- UT3324 X 96 4SSK BUTT SD
- UT3624 X 96 4SSK BUTT SD

#### 93" H - 3 Top Shelves

- UT2424 X 93 4SSK BUTT
- UT2724 X 93 4SSK BUTT
- UT3024 X 93 4SSK BUTT
- UT3324 X 93 4SSK BUTT
- UT3624 X 93 4SSK BUTT
- UT2424 X 93 4SSK BUTT SD
- UT2724 X 93 4SSK BUTT SD
- UT3024 X 93 4SSK BUTT SD
- UT3324 X 93 4SSK BUTT SD
- UT3624 X 93 4SSK BUTT SD

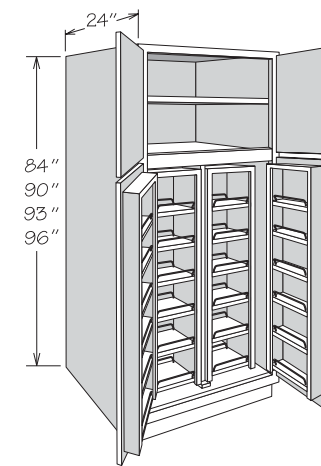
#### 90" H - 2 Top Shelves

- UT2424 X 90 4SSK BUTT
- UT2724 X 90 4SSK BUTT
- UT3024 X 90 4SSK BUTT
- UT3324 X 90 4SSK BUTT
- UT3624 X 90 4SSK BUTT
- UT2424 X 90 4SSK BUTT SD
- UT2724 X 90 4SSK BUTT SD
- UT3024 X 90 4SSK BUTT SD
- UT3324 X 90 4SSK BUTT SD
- UT3624 X 90 4SSK BUTT SD

#### 84" H - 1 Top Shelf

- UT2424 X 84 4SSK BUTT
- UT2724 X 84 4SSK BUTT
- UT3024 X 84 4SSK BUTT
- UT3324 X 84 4SSK BUTT
- UT3624 X 84 4SSK BUTT
- UT2424 X 84 4SSK BUTT SD
- UT2724 X 84 4SSK BUTT SD
- UT3024 X 84 4SSK BUTT SD
- UT3324 X 84 4SSK BUTT SD
- UT3624 X 84 4SSK BUTT SD

## Utility Cabinet • 4 Butt Doors with Pantry Storage



84" High Shown

- Accessories and shelving packaged separately for field installation and include:
  - » Pantry Swing-Out Kit (PCSK36)
  - » Two Pantry Door Shelf Kits (PDSK18)
  - » Utility Cabinet Shelf and Pilaster Kit (PSK36)
- Full-depth adjustable shelves are 3/4" engineered wood and edge banded on front edge only
- 4" inset toe kick assembly shipped inside 93" and 96" high cabinet - seam will be visible between toe kick box and side of cabinet
- Minimum filler width of 4 1/2" recommended for installation of this cabinet next to deeper adjacent objects including cabinets, walls, appliances, and countertops
- Specialty Door cabinets (SD) feature Matching Interior standard and require a specialty door selection
- Bottom doors have a center rail for select door styles - refer to door style section

AH
APC
CCH
FE
MI
PE

### 24" DEEP

#### 96" H - 3 Top Shelves

- UT3624 X 96 PCDS BUTT
- UT3624 X 96 PCDS BUTT SD

#### 93" H - 3 Top Shelves

- UT3624 X 93 PCDS BUTT
- UT3624 X 93 PCDS BUTT SD

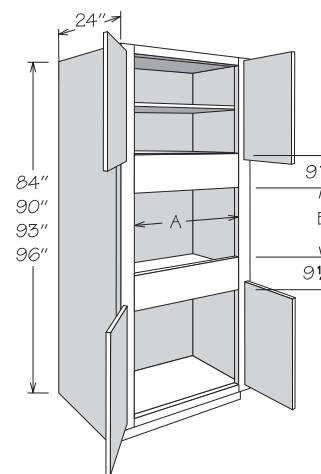
#### 90" H - 2 Top Shelves

- UT3624 X 90 PCDS BUTT
- UT3624 X 90 PCDS BUTT SD

#### 84" H - 1 Top Shelf

- UT3624 X 84 PCDS BUTT
- UT3624 X 84 PCDS BUTT SD

## Single Oven Cabinet • 4 Butt Doors



90" High Shown

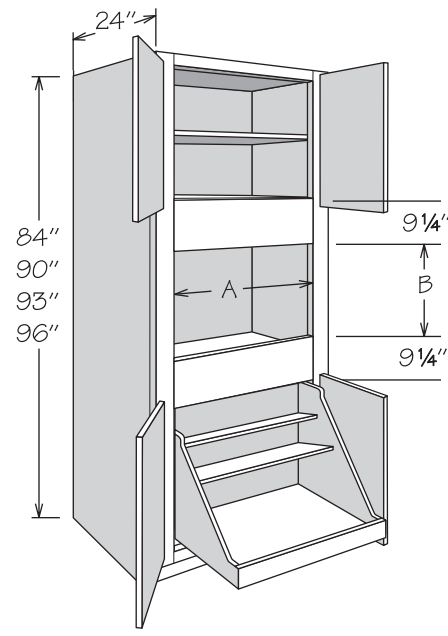
- Features a solid back
- 3/8" stiles
- All door styles feature face-mount hinges
- Full-depth adjustable shelves and 3/4" engineered wood and edge banded on front edge only
- Shelf packaged separately for field installation
- 4" inset toe kick assembly shipped inside 93" and 96" high cabinets — 33" wide x 93" high toe kicks ship as two pieces - seam will be visible between toe kick box and side of cabinet
- Refer to appliance manufacturer's specifications for adequate clearances and required installation materials

AH
APC
CCH
CFO
FE
PE
RD

	A ACTUAL	A MAX.	B ACTUAL	B MAX.
<b>96"H - 2 Top Shelves</b>				
OVS2796 AS BUTT	20 3/4"	25"	22 1/8"	37 3/8"
OVS3096 AS BUTT	23 3/4"	28"	22 1/8"	37 3/8"
OVS3396 AS BUTT	26 3/4"	31"	22 1/8"	37 3/8"
<b>93"H - 2 Top Shelves</b>				
OVS2793 AS BUTT	20 3/4"	25"	22 1/8"	37 3/8"
OVS3093 AS BUTT	23 3/4"	28"	22 1/8"	37 3/8"
OVS3393 AS BUTT	26 3/4"	31"	22 1/8"	37 3/8"
<b>90"H - 1 Top Shelf</b>				
OVS2790 AS BUTT	20 3/4"	25"	21 3/4"	37"
OVS3090 AS BUTT	23 3/4"	28"	21 3/4"	37"
OVS3390 AS BUTT	26 3/4"	31"	21 3/4"	37"
<b>84"H - No Shelf</b>				
OVS2784 BUTT	20 3/4"	25"	22 1/8"	37 3/8"
OVS3084 BUTT	23 3/4"	28"	22 1/8"	37 3/8"
OVS3384 BUTT	26 3/4"	31"	22 1/8"	37 3/8"

## Single Oven Cabinet • 4 Butt Doors and Pot & Pan Organizer

APC
CCH
FE
PE



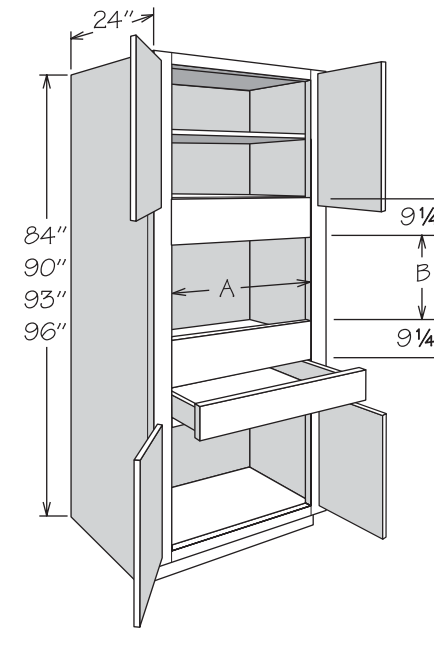
90" High Shown

- Features a solid back
- 3/8" stiles
- All doors styles feature face-mount hinges
- Shelving and Pot & Pan Organizer packaged separately for field installation
- Organizer in natural finish solid wood and wood veneer with dovetail (front only) construction and full-extension CushionClose glides
- Organizer top shelf measures 6 3/8" deep
- Organizer middle shelf measures 9 3/4" deep
- 4" inset toe kick assembly shipped inside 93" and 96" high cabinets — 33" wide x 93" high toe kicks ship as two pieces - seam will be visible between toe kick box and side of cabinet
- Refer to appliance manufacturer's specifications for adequate clearances and required installation materials

	A ACTUAL	A MAX.	B ACTUAL	B MAX.
<b>96"H - 2 Top Shelves</b>				
OVS2796 BUTT CCBPPO	20 3/4"	25"	22 1/8"	37 3/8"
OVS3096 BUTT CCBPPO	23 3/4"	28"	22 1/8"	37 3/8"
OVS3396 BUTT CCBPPO	26 3/4"	31"	22 1/8"	37 3/8"
<b>93"H - 2 Top Shelves</b>				
OVS2793 BUTT CCBPPO	20 3/4"	25"	22 1/8"	37 3/8"
OVS3093 BUTT CCBPPO	23 3/4"	28"	22 1/8"	37 3/8"
OVS3393 BUTT CCBPPO	26 3/4"	31"	22 1/8"	37 3/8"
<b>90"H - 1 Top Shelf</b>				
OVS2790 BUTT CCBPPO	20 3/4"	25"	21 3/4"	37"
OVS3090 BUTT CCBPPO	23 3/4"	28"	21 3/4"	37"
OVS3390 BUTT CCBPPO	26 3/4"	31"	21 3/4"	37"
<b>84"H - No Shelf</b>				
OVS2784 BUTT CCBPPO	20 3/4"	25"	22 1/8"	37 3/8"
OVS3084 BUTT CCBPPO	23 3/4"	28"	22 1/8"	37 3/8"
OVS3384 BUTT CCBPPO	26 3/4"	31"	22 1/8"	37 3/8"

## Single Oven Cabinet • 4 Butt Doors and 1 Drawer

AH
APC
CCH
CCDW
CFO
FE
PE
RD

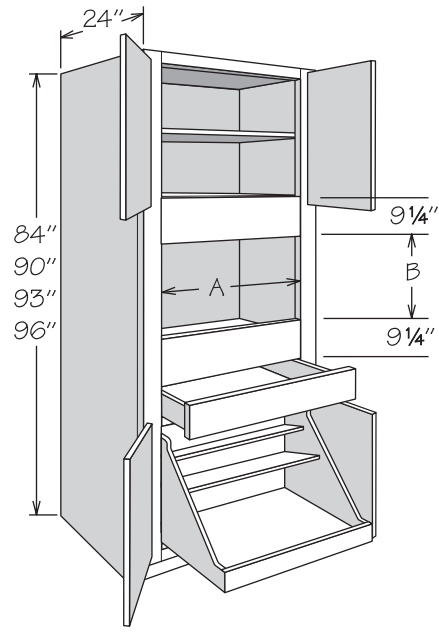


90" High Shown

- Features a solid back
- 3/8" stiles
- All door styles feature face-mount hinges
- One standard drawer
- Full-depth adjustable shelves and 3/4" engineered wood and edge banded on front edge only
- Shelf packaged separately for field installation
- 4" inset toe kick assembly shipped inside 93" and 96" high cabinets — 33" wide x 93" high toe kicks ship as two pieces - seam will be visible between toe kick box and side of cabinet
- Refer to appliance manufacturer's specifications for adequate clearances and required installation materials

	A ACTUAL	A MAX.	B ACTUAL	B MAX.
<b>96"H - 2 Top Shelves</b>				
OVS2796 AS BUTT 1DWR	20 3/4"	25"	16 1/8"	31 3/8"
OVS3096 AS BUTT 1DWR	23 3/4"	28"	16 1/8"	31 3/8"
OVS3396 AS BUTT 1DWR	26 3/4"	31"	16 1/8"	31 3/8"
<b>93"H - 2 Top Shelves</b>				
OVS2793 AS BUTT 1DWR	20 3/4"	25"	16 1/8"	31 3/8"
OVS3093 AS BUTT 1DWR	23 3/4"	28"	16 1/8"	31 3/8"
OVS3393 AS BUTT 1DWR	26 3/4"	31"	16 1/8"	31 3/8"
<b>90"H - 1 Top Shelf</b>				
OVS2790 AS BUTT 1DWR	20 3/4"	25"	15 3/4"	31"
OVS3090 AS BUTT 1DWR	23 3/4"	28"	15 3/4"	31"
OVS3390 AS BUTT 1DWR	26 3/4"	31"	15 3/4"	31"
<b>84"H - No Shelf</b>				
OVS2784 BUTT 1DWR	20 3/4"	25"	16 1/8"	31 3/8"
OVS3084 BUTT 1DWR	23 3/4"	28"	16 1/8"	31 3/8"
OVS3384 BUTT 1DWR	26 3/4"	31"	16 1/8"	31 3/8"

## Single Oven Cabinet • 4 Butt Doors and 1 Drawer, Pot & Pan Organizer



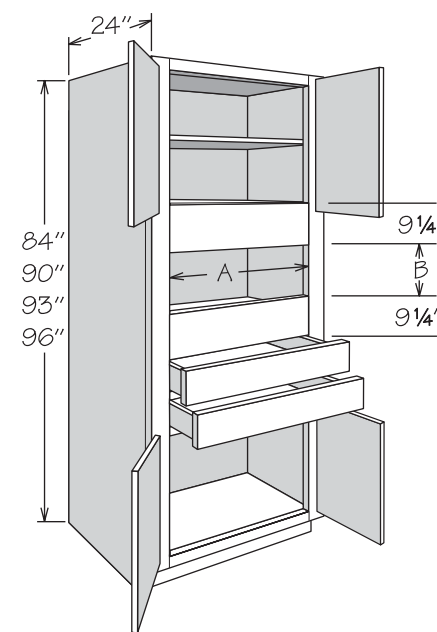
90" High Shown

- Features a solid back
- 3/8" stiles
- All door styles feature face-mount hinges
- Full-depth adjustable shelves and 3/4" engineered wood and edge banded on front edge only
- Shelving and Pot & Pan Organizer packaged separately for field installation
- Organizer in natural finish solid wood and wood veneer with dovetail (front only) construction and full-extension CushionClose glides
- Organizer top shelf measures 6 3/8" deep
- Organizer middle shelf measures 9 3/4" deep
- 4" inset toe kick assembly shipped inside 93" and 96" high cabinets — 33" wide x 93" high toe kicks ship as two pieces - seam will be visible between toe kick box and side of cabinet
- Refer to appliance manufacturer's specifications for adequate clearances and required installation materials

APC
CCH
CCDW
FE
PE

	A ACTUAL	A MAX.	B ACTUAL	B MAX.
<b>96"H - 2 Top Shelves</b>				
OVS2796 BUTT 1DWR CCBPPO	20 3/4"	25"	16 1/8"	31 3/8"
OVS3096 BUTT 1DWR CCBPPO	23 3/4"	28"	16 1/8"	31 3/8"
OVS3396 BUTT 1DWR CCBPPO	26 3/4"	31"	16 1/8"	31 3/8"
<b>93"H - 2 Top Shelves</b>				
OVS2793 BUTT 1DWR CCBPPO	20 3/4"	25"	16 1/8"	31 3/8"
OVS3093 BUTT 1DWR CCBPPO	23 3/4"	28"	16 1/8"	31 3/8"
OVS3393 BUTT 1DWR CCBPPO	26 3/4"	31"	16 1/8"	31 3/8"
<b>90"H - 1 Top Shelf</b>				
OVS2790 BUTT 1DWR CCBPPO	20 3/4"	25"	15 3/4"	31"
OVS3090 BUTT 1DWR CCBPPO	23 3/4"	28"	15 3/4"	31"
OVS3390 BUTT 1DWR CCBPPO	26 3/4"	31"	15 3/4"	31"
<b>84"H - No Shelf</b>				
OVS2784 BUTT 1DWR CCBPPO	20 3/4"	25"	16 1/8"	31 3/8"
OVS3084 BUTT 1DWR CCBPPO	23 3/4"	28"	16 1/8"	31 3/8"
OVS3384 BUTT 1DWR CCBPPO	26 3/4"	31"	16 1/8"	31 3/8"

## Single Oven Cabinet • 4 Butt Doors and 2 Drawers



90" High Shown

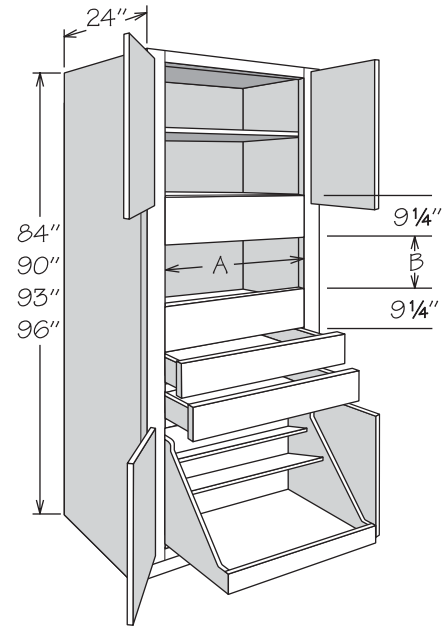
- Features a solid back
- 3/8" stiles
- All door styles feature face-mount hinges
- Two standard drawers
- Full-depth adjustable shelves and 3/4" engineered wood and edge banded on front edge only
- Shelf packaged separately for field installation
- 4" inset toe kick assembly shipped inside 93" and 96" high cabinets — 33" wide x 93" high toe kicks ship as two pieces - seam will be visible between toe kick box and side of cabinet
- Refer to appliance manufacturer's specifications for adequate clearances and required installation materials

AH
APC
CCH
CCDW
CFO
FE
PE
RD

	A ACTUAL	A MAX.	B ACTUAL	B MAX.
<b>96"H - 2 Top Shelves</b>				
OVS2796 AS BUTT 2DWR	20 3/4"	25"	10 1/8"	25 3/8"
OVS3096 AS BUTT 2DWR	23 3/4"	28"	10 1/8"	25 3/8"
OVS3396 AS BUTT 2DWR	26 3/4"	31"	10 1/8"	25 3/8"
<b>93"H - 2 Top Shelves</b>				
OVS2793 AS BUTT 2DWR	20 3/4"	25"	10 1/8"	25 3/8"
OVS3093 AS BUTT 2DWR	23 3/4"	28"	10 1/8"	25 3/8"
OVS3393 AS BUTT 2DWR	26 3/4"	31"	10 1/8"	25 3/8"
<b>90"H - 1 Top Shelf</b>				
OVS2790 AS BUTT 2DWR	20 3/4"	25"	9 3/4"	25"
OVS3090 AS BUTT 2DWR	23 3/4"	28"	9 3/4"	25"
OVS3390 AS BUTT 2DWR	26 3/4"	31"	9 3/4"	25"
<b>84"H - No Shelf</b>				
OVS2784 BUTT 2DWR	20 3/4"	25"	10 1/8"	25 3/8"
OVS3084 BUTT 2DWR	23 3/4"	28"	10 1/8"	25 3/8"
OVS3384 BUTT 2DWR	26 3/4"	31"	10 1/8"	25 3/8"

## Single Oven Cabinet • 4 Butt Doors, 2 Drawers and Pot & Pan Organizer

APC
CCH
CCDW
FE
PE



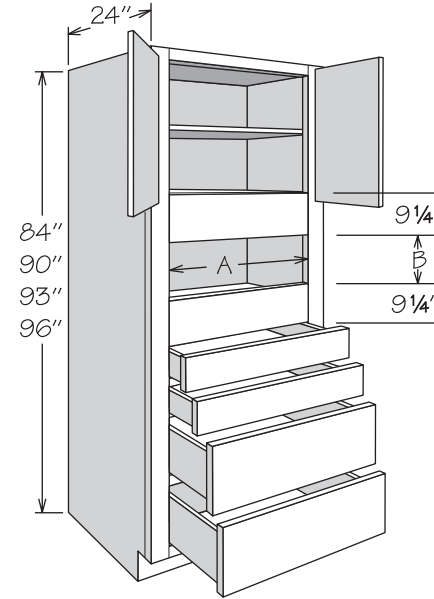
90" High Shown

- Features a solid back
- 3/8" stiles
- All door styles feature face-mount hinges
- Two standard drawers
- Shelving and Pot & Pan Organizer packaged separately for field installation
- Organizer in natural finish solid wood and wood veneer with dovetail (front only) construction and full-extension CushionClose glides
- Organizer top shelf measures 6 3/8" deep
- Organizer middle shelf measures 9 3/4" deep
- Full-depth adjustable shelves and 3/4" engineered wood and edge banded on front edge only
- 4" inset toe kick assembly shipped inside 93" and 96" high cabinets — 33" wide x 93" high toe kicks ship as two pieces - seam will be visible between toe kick box and side of cabinet
- Refer to appliance manufacturer's specifications for adequate clearances and required installation materials

	A ACTUAL	A MAX.	B ACTUAL	B MAX.
<b>96"H - 2 Top Shelves</b>				
OVS2796 BUTT 2DWR CCBPPO	20 3/4"	25"	10 1/8"	25 3/8"
OVS3096 BUTT 2DWR CCBPPO	23 3/4"	28"	10 1/8"	25 3/8"
OVS3396 BUTT 2DWR CCBPPO	26 3/4"	31"	10 1/8"	25 3/8"
<b>93"H - 2 Top Shelves</b>				
OVS2793 BUTT 2DWR CCBPPO	20 3/4"	25"	10 1/8"	25 3/8"
OVS3093 BUTT 2DWR CCBPPO	23 3/4"	28"	10 1/8"	25 3/8"
OVS3393 BUTT 2DWR CCBPPO	26 3/4"	31"	10 1/8"	25 3/8"
<b>90"H - 1 Top Shelf</b>				
OVS2790 BUTT 2DWR CCBPPO	20 3/4"	25"	9 3/4"	25"
OVS3090 BUTT 2DWR CCBPPO	23 3/4"	28"	9 3/4"	25"
OVS3390 BUTT 2DWR CCBPPO	26 3/4"	31"	9 3/4"	25"
<b>84"H - No Shelf</b>				
OVS2784 BUTT 2DWR CCBPPO	20 3/4"	25"	10 1/8"	25 3/8"
OVS3084 BUTT 2DWR CCBPPO	23 3/4"	28"	10 1/8"	25 3/8"
OVS3384 BUTT 2DWR CCBPPO	26 3/4"	31"	10 1/8"	25 3/8"

## Single Oven Cabinet • 2 Butt Doors and 4 Drawers

AH
APC
CCH
CCDW
CFO
FE
PE
RD



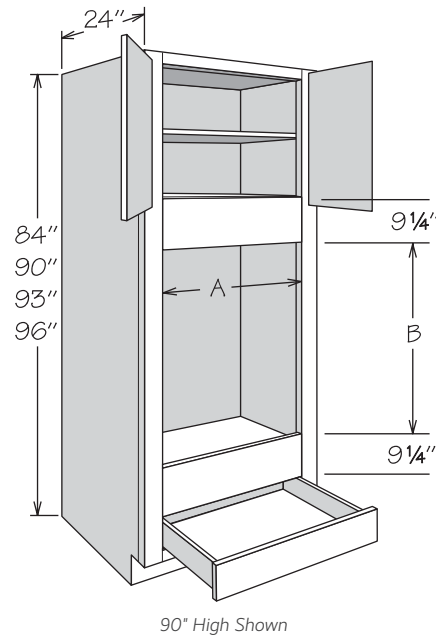
90" High Shown

- Features a solid back
- 3/8" stiles
- All door styles feature face-mount hinges
- Two standard and two large drawers
- Shelf packaged separately for field installation
- Full-depth adjustable shelves and 3/4" engineered wood and edge banded on front edge only
- 4" inset toe kick assembly shipped inside 93" and 96" high cabinets — 33" wide x 93" high toe kicks ship as two pieces - seam will be visible between toe kick box and side of cabinet
- Refer to appliance manufacturer's specifications for adequate clearances and required installation materials

	A ACTUAL	A MAX.	B ACTUAL	B MAX.
<b>96"H - 2 Top Shelves</b>				
OVS2796 AS BUTT 4DWR	20 3/4"	25"	10 1/8"	25 3/8"
OVS3096 AS BUTT 4DWR	23 3/4"	28"	10 1/8"	25 3/8"
OVS3396 AS BUTT 4DWR	26 3/4"	31"	10 1/8"	25 3/8"
<b>93"H - 2 Top Shelves</b>				
OVS2793 AS BUTT 4DWR	20 3/4"	25"	10 1/8"	25 3/8"
OVS3093 AS BUTT 4DWR	23 3/4"	28"	10 1/8"	25 3/8"
OVS3393 AS BUTT 4DWR	26 3/4"	31"	10 1/8"	25 3/8"
<b>90"H - 1 Top Shelf</b>				
OVS2790 AS BUTT 4DWR	20 3/4"	25"	9 3/4"	25"
OVS3090 AS BUTT 4DWR	23 3/4"	28"	9 3/4"	25"
OVS3390 AS BUTT 4DWR	26 3/4"	31"	9 3/4"	25"
<b>84"H - No Shelf</b>				
OVS2784 BUTT 4DWR	20 3/4"	25"	10 1/8"	25 3/8"
OVS3084 BUTT 4DWR	23 3/4"	28"	10 1/8"	25 3/8"
OVS3384 BUTT 4DWR	26 3/4"	31"	10 1/8"	25 3/8"



## Double Oven Cabinet • 2 Butt Doors and 1 Drawer



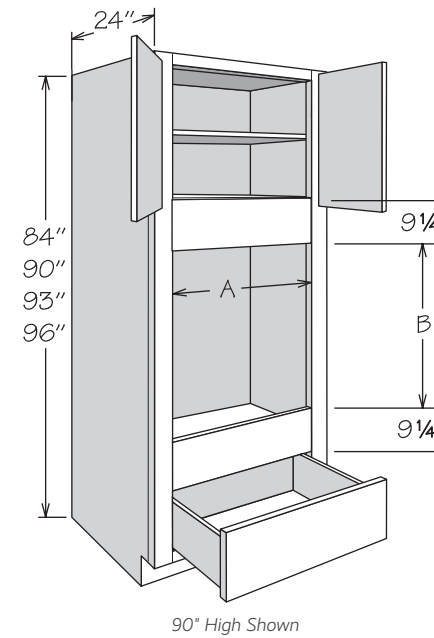
90" High Shown

- Features a solid back
- 3 1/2" stiles
- One standard drawer
- All door styles feature face-mount hinges
- Shelf packaged separately for field installation
- Full-depth adjustable shelves and 3/4" engineered wood and edge banded on front edge only
- 4" inset toe kick assembly shipped inside 93" and 96" high cabinets — 33" wide x 93" high toe kicks ship as two pieces - seam will be visible between toe kick box and side of cabinet
- Refer to appliance manufacturer's specifications for adequate clearances and required installation materials

AH
APC
CCDW
CCH
CFO
FE
PE
RD

	A ACTUAL	A MAX.	B ACTUAL	B MAX.
<b>96"H • 2 Top Shelves</b>				
OVD2796 AS BUTT	20 3/4"	25"	39"	54 1/4"
OVD3096 AS BUTT	23 3/4"	28"	39"	54 1/4"
OVD3396 AS BUTT	26 3/4"	31"	39"	54 1/4"
<b>93"H • 2 Top Shelves</b>				
OVD2793 AS BUTT	20 3/4"	25"	39"	54 1/4"
OVD3093 AS BUTT	23 3/4"	28"	39"	54 1/4"
OVD3393 AS BUTT	26 3/4"	31"	39"	54 1/4"
<b>90"H • 1 Top Shelf</b>				
OVD2790 AS BUTT	20 3/4"	25"	38 5/8"	53 7/8"
OVD3090 AS BUTT	23 3/4"	28"	38 5/8"	53 7/8"
OVD3390 AS BUTT	26 3/4"	31"	38 5/8"	53 7/8"
<b>84"H • No Shelf</b>				
OVD2784 BUTT	20 3/4"	25"	39"	54 1/4"
OVD3084 BUTT	23 3/4"	28"	39"	54 1/4"
OVD3384 BUTT	26 3/4"	31"	39"	54 1/4"

## Double Oven Cabinet • 2 Butt Doors and 1 Large Drawer



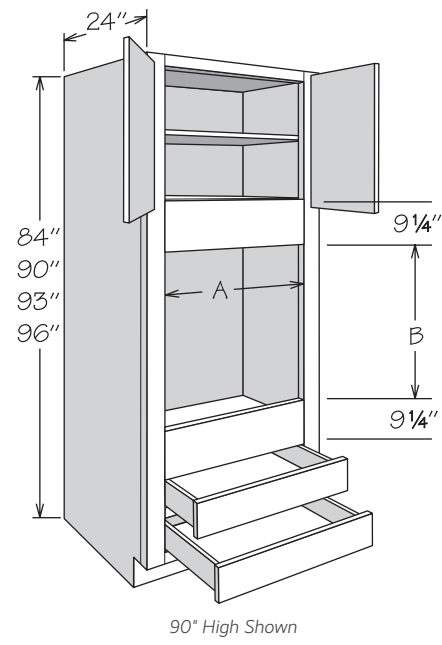
90" High Shown

- Features a solid back
- 3 1/2" stiles
- All door styles feature face-mount hinges
- One large drawer
- Shelf packaged separately for field installation
- Full-depth adjustable shelves and 3/4" engineered wood and edge banded on front edge only
- 4" inset toe kick assembly shipped inside 93" and 96" high cabinets — 33" wide x 93" high toe kicks ship as two pieces - seam will be visible between toe kick box and side of cabinet
- Refer to appliance manufacturer's specifications for adequate clearances and required installation materials

AH
APC
CCDW
CCH
CFO
FE
PE
RD

	A ACTUAL	A MAX.	B ACTUAL	B MAX.
<b>96"H • 2 Top Shelves</b>				
OVD2796 AS BUTT 1DDWR	20 3/4"	25"	33 9/16"	48 13/16"
OVD3096 AS BUTT 1DDWR	23 3/4"	28"	33 9/16"	48 13/16"
OVD3396 AS BUTT 1DDWR	26 3/4"	31"	33 9/16"	48 13/16"
<b>93"H • 2 Top Shelves</b>				
OVD2793 AS BUTT 1DDWR	20 3/4"	25"	33 9/16"	48 13/16"
OVD3093 AS BUTT 1DDWR	23 3/4"	28"	33 9/16"	48 13/16"
OVD3393 AS BUTT 1DDWR	26 3/4"	31"	33 9/16"	48 13/16"
<b>90"H • 1 Top Shelf</b>				
OVD2790 AS BUTT 1DDWR	20 3/4"	25"	33 3/16"	48 7/16"
OVD3090 AS BUTT 1DDWR	23 3/4"	28"	33 3/16"	48 7/16"
OVD3390 AS BUTT 1DDWR	26 3/4"	31"	33 3/16"	48 7/16"
<b>84"H • No Shelf</b>				
OVD2784 BUTT 1DDWR	20 3/4"	25"	33 9/16"	48 13/16"
OVD3084 BUTT 1DDWR	23 3/4"	28"	33 9/16"	48 13/16"
OVD3384 BUTT 1DDWR	26 3/4"	31"	33 9/16"	48 13/16"

### Double Oven Cabinet • 2 Butt Doors and 2 Drawers



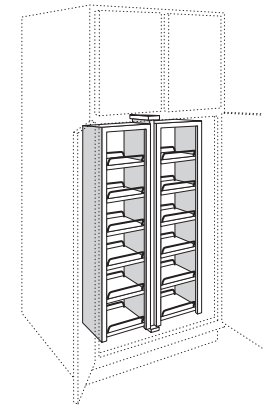
- Features a solid back
- 3/8" stiles
- All door styles feature face-mount hinges
- Two standard drawers
- Shelf packaged separately for field installation
- Full-depth adjustable shelves and 3/4" engineered wood and edge banded on front edge only
- 4" inset toe kick assembly shipped inside 93" and 96" high cabinets — 33" wide x 93" high toe kicks ship as two pieces - seam will be visible between toe kick box and side of cabinet
- Refer to appliance manufacturer's specifications for adequate clearances and required installation materials

APC
CCDW
CCH
CFO
FE
PE
RD

	A ACTUAL	A MAX.	B ACTUAL	B MAX.
<b>96"H • 2 Top Shelves</b>				
OVD2796 AS BUTT 2DWR	20 3/4"	25"	33"	48 1/4"
OVD3096 AS BUTT 2DWR	23 3/4"	28"	33"	48 1/4"
OVD3396 AS BUTT 2DWR	26 3/4"	31"	33"	48 1/4"
<b>93"H • 2 Top Shelves</b>				
OVD2793 AS BUTT 2DWR	20 3/4"	25"	33"	48 1/4"
OVD3093 AS BUTT 2DWR	23 3/4"	28"	33"	48 1/4"
OVD3393 AS BUTT 2DWR	26 3/4"	31"	33"	48 1/4"
<b>90"H • 1 Top Shelf</b>				
OVD2790 AS BUTT 2DWR	20 3/4"	25"	32 5/8"	47 7/8"
OVD3090 AS BUTT 2DWR	23 3/4"	28"	32 5/8"	47 7/8"
OVD3390 AS BUTT 2DWR	26 3/4"	31"	32 5/8"	47 7/8"
<b>84"H • No Shelf</b>				
OVD2784 BUTT 2DWR	20 3/4"	25"	33"	48 1/4"
OVD3084 BUTT 2DWR	23 3/4"	28"	33"	48 1/4"
OVD3384 BUTT 2DWR	26 3/4"	31"	33"	48 1/4"

90" High Shown

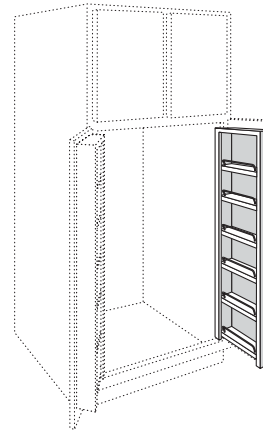
### Pantry Swing-Out Kit



- Field installation accessory
- For use inside UT3624
- Can be used with PDSK18 and/or PSK36
- Natural finish unit features two fixed and ten adjustable shelves with chrome rails
- Overall dimensions: 25 5/8" wide x 45" high x 7 1/2" deep
- Not sized to fit reduced depth cabinets
- Minimum filler width of 4 1/2" recommended for installation of this accessory next to deeper adjacent objects including cabinets, walls, appliances, and countertops

PCSK36

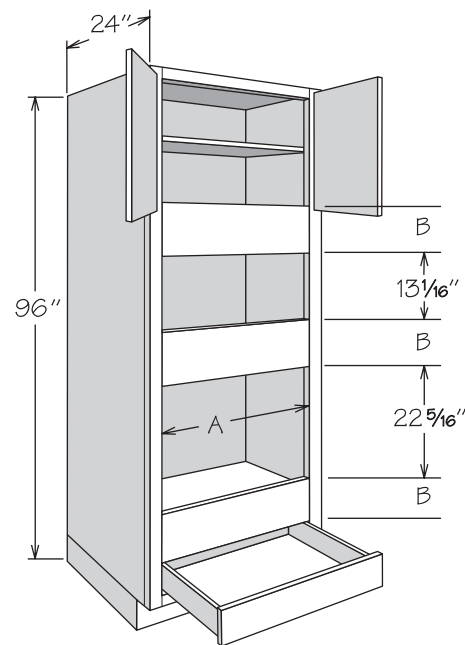
### Pantry Door Shelf Kit



- Field installation accessory
- For use inside UT1824 or UT3624
- Order each door unit separately
- Can be used with PCSK36 and/or PSK36
- Natural finish unit features one fixed and five adjustable shelves with chrome rails
- Overall dimensions: 12" wide x 45" high x 4" deep
- Not sized to fit reduced depth cabinets
- Minimum filler width of 4 1/2" recommended for installation of this accessory next to deeper adjacent objects including cabinets, walls, appliances, and countertops

PDSK18

### Oven Microwave Cabinet • 2 Butt Doors and 1 Drawer

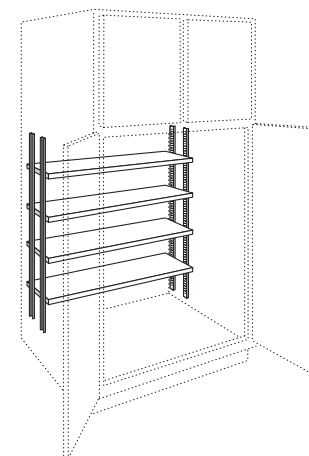


- Features a solid back
- 3/8" stiles
- All doors feature face-mount hinges
- Features one standard drawer
- Shelving packaged separately for field installation
- 4" inset toe-kick assembly shipped as two pieces inside cabinet - seam will be visible between toe kick and side of cabinet
- For use with built-in style microwaves only
- Features one full-depth 3/4" engineered wood shelf edge banded on front edge only (for top section)
- Refer to appliance manufacturer's specifications for adequate clearance and required installation materials

AH
APC
CCDW
CCH
CFO
FE
PE
RD

	A ACTUAL	A MAX.	B ACTUAL	B MAX.
<b>96"H • 1 Top Shelf</b>				
OMC3396 AS BUTT	26 3/4"	31"	9 1/4"	2 3/4"

### Shelf & Pilaster Kit

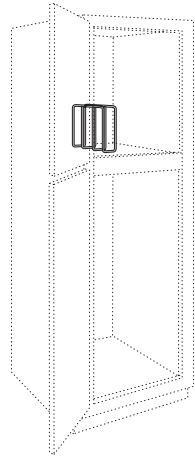


- Field installation accessory
- Kit includes four 9" deep shelves edge banded on front edge only, four 36" zinc pilasters, screws, and installation instructions
- For use inside UT3624
- Field trimmable for use inside UT1824
- Can be used with PCSK36 and/or PDSK18

APC
RD

PSK36

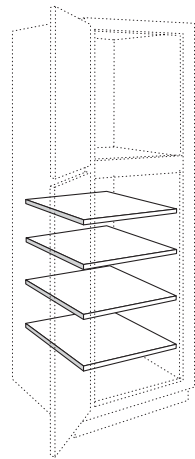
## Cabinet Tray Divider



- Field installation accessory
- Chrome finish
- Mounting hardware included
- Overall dimensions: 27/8" wide x 9 5/16" high x 11 3/4" deep
- Order Cabinet Tray Dividers individually
- For use in 24" deep cabinets or cabinets with RD-23 through RD-14

TD3

## Adjustable Shelves



- Field installation accessory
- 3/4" engineered wood
- Edge banded on front edge only
- CLIP LOCK shelf rests included

APC  
MI  
RD

### ADJUSTABLE SHELF

#### 12" Deep

S1212  
S1512  
S1812  
S2112  
S2412  
S3612

#### 24" Deep

S1224  
S1524  
S1824  
S2124  
S2424  
S2724  
S3024  
S3324  
S3624

### 4 PACK SHELF KIT

#### 12" Deep

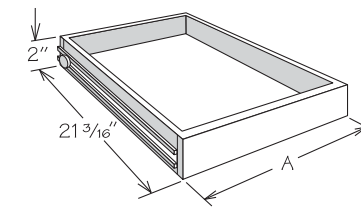
SK1212  
SK1512  
SK1812  
SK2112  
SK2412  
SK3612

#### 24" Deep

SK1224  
SK1524  
SK1824  
SK2124  
SK2424  
SK2724  
SK3024  
SK3324  
SK3624

## Sliding Shelves and Sliding Shelf Kits

CCSS  
RD

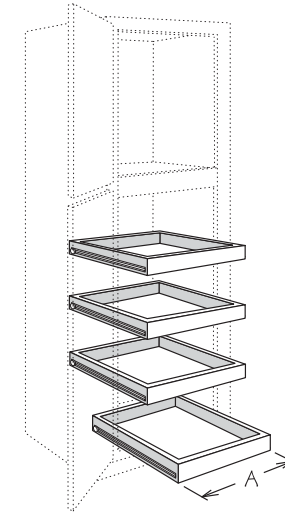


- Field installation accessory
- Engineered wood drawer with solid hardwood front, MDF bottom, and side-mounted drawer glides
- Includes sliding shelf, all glide hardware, and instructions

### OVEN SIZE

SSK24  
SSK27  
SSK30

OVS27  
OVS30  
OVS33



### SLIDING SHELF KIT

SSK12  
SSK15  
SSK18  
SSK21  
SSK24  
SSK27  
SSK30  
SSK33  
SSK36

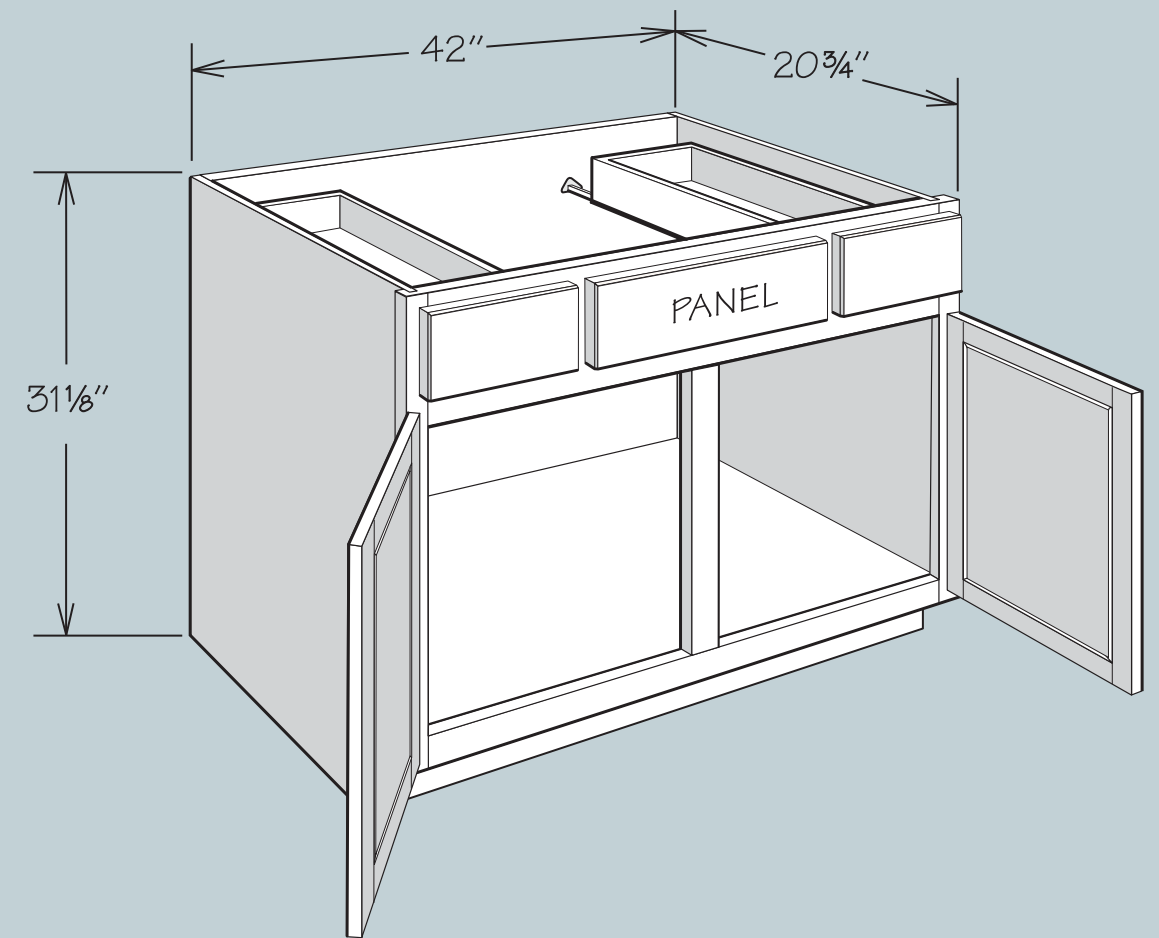
### 4 PACK SLIDING SHELF KIT

USS12-4K  
USS15-4K  
USS18-4K  
USS21-4K  
USS24-4K  
USS27-4K  
USS30-4K  
USS33-4K  
USS36-4K

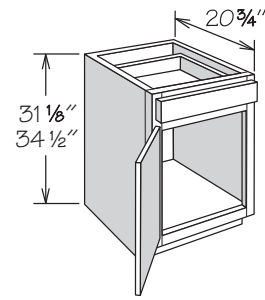
### A

8 1/2"  
11 1/2"  
14 1/2"  
17 1/2"  
20 1/2"  
23 1/2"  
26 1/2"  
29 1/2"  
32 1/2"

# VANITY CABINETS



## Vanity Base • 1 Door



- No shelf
- Not drilled for adjustable shelf
- Door is hinged left and can be reversed in the field

AH ■
APC
CCH
CCDW
CFO
FE
PE
RD
RTK

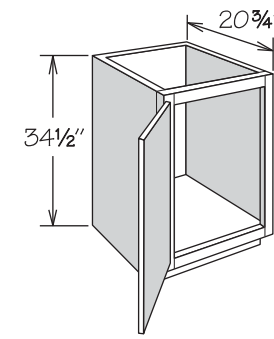
### 34 1/2" HIGH

VB1234H ■  
VB1534H ■  
VB1834H ■  
VB2134H ■

### 31 1/8" HIGH

VB12  
VB15  
VB18  
VB21

## Vanity Full-Height Base • 1 Door



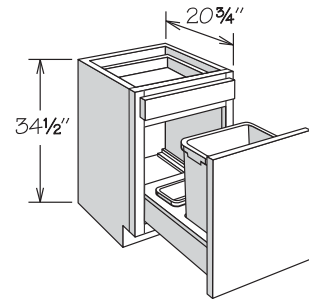
- Full-height door
- No shelf
- Not drilled for adjustable shelf
- Door is hinged left and can be reversed in the field

AH
APC
CCH
CFO
FE
PE
RD
RTK

### 34 1/2" HIGH

VB1234H FH  
VB1534H FH  
VB1834H FH  
VB2134H FH

## Vanity Base Cabinet • 1 Drawer and 1 Door with Wastebasket Pull-Out



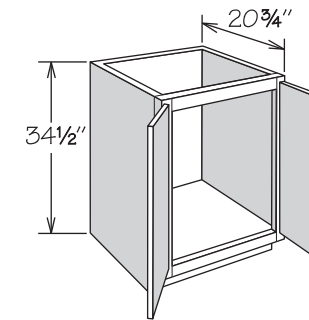
- Wastebasket pull-out features heavy-duty CushionClose full-extension glides (100 pound rated)
- Wastebasket rests in a natural finish wood frame
- Features one silver plastic 35-quart capacity bin and bag storage tray at rear (not dishwasher safe)
- Decorative hardware strongly recommended

AH
APC
FE
PE
RTK

### 34 1/2" HIGH

VWBB1834H

## Vanity Full-Height Base • 2 Butt Doors



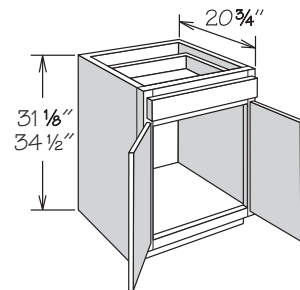
- Full-height doors
- No shelf
- Not drilled for adjustable shelf

AH
APC
CCH
CFO
FE
PE
RD
RTK

### 34 1/2" HIGH

VB2434H BUTT FH  
VB3034H BUTT FH  
VB3634H BUTT FH

## Vanity Base • 2 Butt Doors and 1 Drawer



- No shelf
- Not drilled for adjustable shelf

AH ■
APC
CCH
CCDW
CFO
FE
PE
RD
RTK

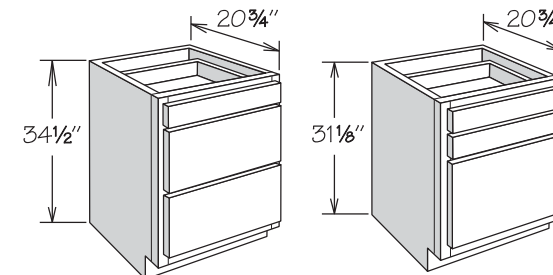
### 34 1/2" HIGH

VB2434H BUTT ■  
VB2734H BUTT ■  
VB3034H BUTT ■  
VB3334H BUTT ■  
VB3634H BUTT ■

### 31 1/8" HIGH

VB24 BUTT  
VB27 BUTT  
VB30 BUTT  
VB33 BUTT  
VB36 BUTT

## Vanity Drawer Base



- VDB\_34H features one standard and two large drawers
- VDB\_ features one large and two standard drawers

AH ■
APC
CCDW
CFO
FE
PE
RD
RTK

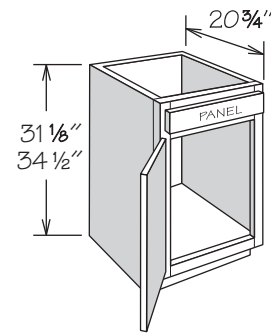
### 34 1/2" HIGH

VDB1234H ■  
VDB1534H ■  
VDB1834H ■  
VDB2134H ■  
VDB2434H ■

### 31 1/8" HIGH

VDB12  
VDB15  
VDB18  
VDB21  
VDB24

### Vanity Sink Base • 1 Door



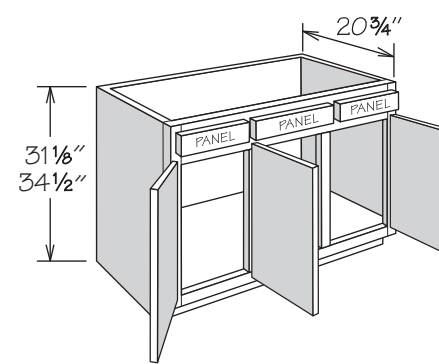
- No shelf
- Subtract 1/2" from depth and width for available sink bowl opening
- Door is hinged left and can be reversed in the field

AH ■
APC
CCH
CFO
FE
PE
RD
RTK

**34 1/2" HIGH**  
 VSB1534H ■  
 VSB1834H ■  
 VSB2134H ■

**31 1/8" HIGH**  
 VSB15  
 VSB18  
 VSB21

### Vanity Sink Base • 3 Doors



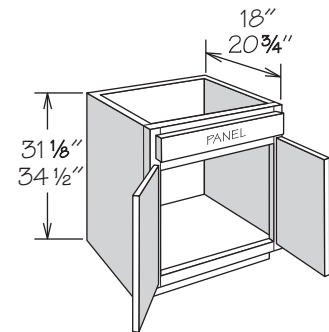
- No shelf
- Subtract 1/2" from depth and width for available sink bowl opening
- Hinged as shown – can be reversed in the field

AH ■
APC
CCH
CFO
FE
PE
RD
RTK

**34 1/2" HIGH**  
 VSB4834H ■

**31 1/8" HIGH**  
 VSB48

### Vanity Sink Base • 2 Butt Doors



- No shelf
- Subtract 1/2" from depth and width for available sink bowl opening

AH ■
APC
CCH
CFO
FE
PE
RD
RTK

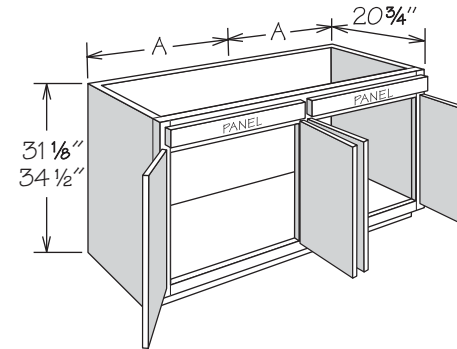
**34 1/2" HIGH**  
**20 3/4" Deep**  
 VSB2434H BUTT ■  
 VSB2734H BUTT ■  
 VSB3034H BUTT ■  
 VSB3334H BUTT ■  
 VSB3634H BUTT ■

**18" Deep**  
 VSB241834H BUTT  
 VSB301834H BUTT  
 VSB361834H BUTT

**31 1/8" HIGH**  
**20 3/4" Deep**  
 VSB24 BUTT  
 VSB27 BUTT  
 VSB30 BUTT  
 VSB33 BUTT  
 VSB36 BUTT

**18" Deep**  
 VSB2418 BUTT  
 VSB3018 BUTT  
 VSB3618 BUTT

### Vanity Sink Base • 4 Butt Doors



- No shelf
- Subtract 1/2" from depth and each dimension A for available sink bowl openings

AH ■
APC
CCH
CFO
FE
PE
RD
RTK

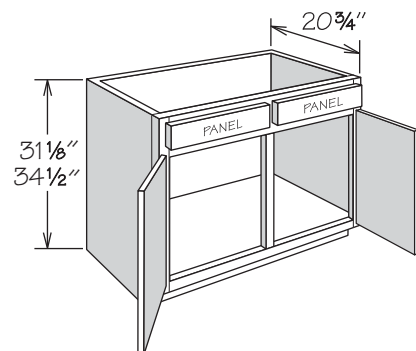
**34 1/2" HIGH**  
 VSB5434H BUTT ■  
 VSB6034H BUTT ■

**A**  
 27"  
 30"

**31 1/8" HIGH**  
 VSB54 BUTT  
 VSB60 BUTT

**A**  
 27"  
 30"

### Vanity Sink Base • 2 Doors



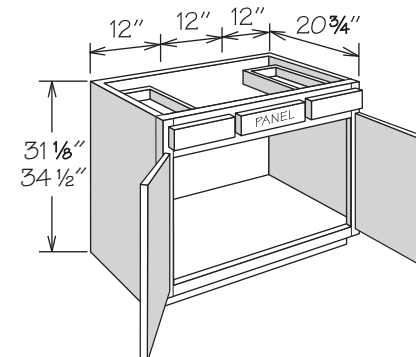
- No shelf
- Subtract 1/2" from depth and width for available sink bowl opening

AH ■
APC
CCH
CFO
FE
PE
RD
RTK

**34 1/2" HIGH**  
 VSB3934H ■  
 VSB4234H ■

**31 1/8" HIGH**  
 VSB39  
 VSB42

### Vanity Sink Base • 2 Butt Doors and 2 Drawers



- No shelf
- Top drawer on each side of sink bowl opening
- Subtract 1/2" from depth for available sink bowl opening
- Features two DRB9\_ to accommodate sink bowl opening up to 18"

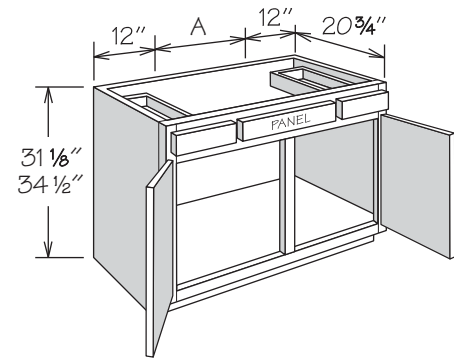
AH ■
APC
CCH
CCDW
CFO
FE
PE
RD
RTK

**34 1/2" HIGH**  
 VAN3634H BUTT ■

**31 1/8" HIGH**  
 VAN36 BUTT



### Vanity Sink Base • 2 Doors and 2 Drawers

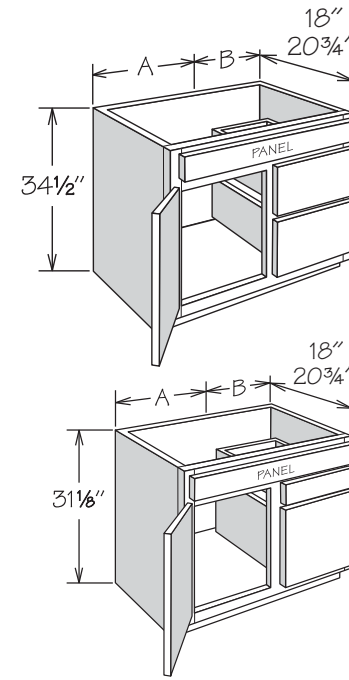


- No shelf
- Top drawer on each side of sink bowl opening
- Subtract 1/2" from depth for available sink bowl opening

AH ■
APC
CCH
CCDW
CFO
FE
PE
RD
RTK

34 1/2" HIGH	A	MAX. SINK OPENING	31 1/8" HIGH	A	MAX. SINK OPENING
VAN3934H ■	15"	18"	VAN39	15"	18"
VAN4234H ■	18"	21"	VAN42	18"	21"

### Vanity Combo Sink Base • 1 Door and 2 Drawers

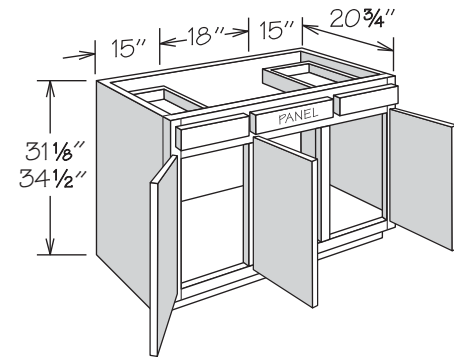


- No shelf
- Allow for plumbing placement to clear drawers
- Drawers available on right or left side (please specify)
- Cabinet shown is right indicating drawers on the right side of the cabinet
- Subtract 1/2" from depth and overall cabinet width for available sink bowl opening

AH ■
APC
CCH
CCDW
CFO
FE
PE
RD
RTK

34 1/2" HIGH	A	B	31 1/8" HIGH	A	B
<b>20 3/4" Deep</b>			<b>20 3/4" Deep</b>		
VSD2434H BK ■	12"	12"	VSD24 BK	12"	12"
VSD2734H BK ■	15"	12"	VSD27 BK	15"	12"
VSD3034H BK ■	18"	12"	VSD30 BK	18"	12"
VSD3334H BK ■	21"	12"	VSD33 BK	21"	12"
VSD3634H BK ■	21"	15"	VSD36 BK	21"	15"
<b>18" Deep</b>			<b>18" Deep</b>		
VSD241834H BK	12"	12"	VSD2418 BK	12"	12"
VSD271834H BK	15"	12"	VSD2718 BK	15"	12"
VSD301834H BK	18"	12"	VSD3018 BK	18"	12"
VSD331834H BK	21"	12"	VSD3318 BK	21"	12"
VSD361834H BK	21"	15"	VSD3618 BK	21"	15"

### Vanity Sink Base • 3 Doors and 2 Drawers

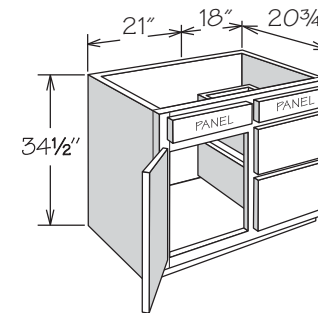


- No shelf
- Top drawer on each side of sink bowl opening
- Subtract 1/2" from depth for available sink bowl opening
- Hinged as shown - can be reversed in the field
- Maximum sink bowl opening is 21" wide

AH ■
APC
CCH
CCDW
CFO
FE
PE
RD
RTK

34 1/2" HIGH	31 1/8" HIGH
VAN4834H ■	VAN48

### Vanity Combo Sink Base • 1 Door and 2 Drawers

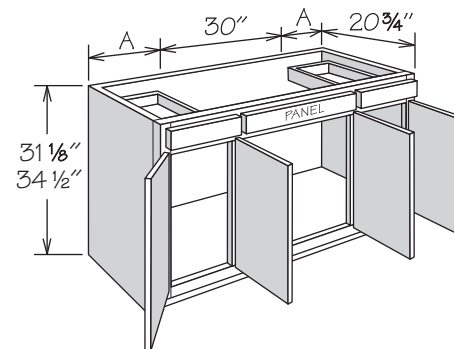


- No shelf
- Allow for plumbing placement to clear drawers
- Drawers available on right or left side (please specify)
- Cabinet shown is right indicating drawers on the right side of the cabinet
- Subtract 1/2" from depth and overall cabinet width for available sink bowl opening

AH ■
APC
CCH
CCDW
CFO
FE
PE
RD
RTK

34 1/2" HIGH
VSD3934H BK

### Vanity Sink Base • 4 Butt Doors and 2 Drawers

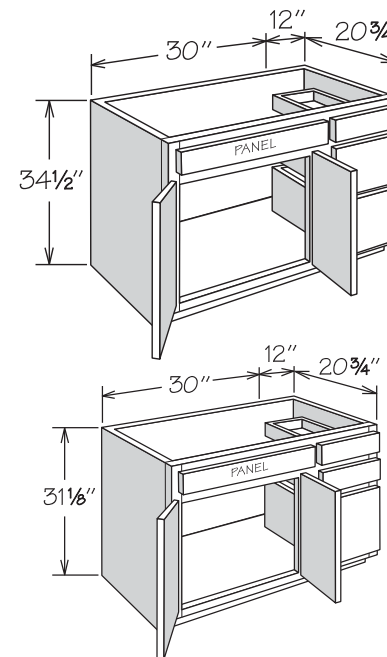


- No shelf
- Top drawer on each side of sink bowl opening
- Subtract 1/2" from depth for available sink bowl opening
- Maximum sink bowl opening is 33" wide

AH ■
APC
CCH
CCDW
CFO
FE
PE
RD
RTK

34 1/2" HIGH	A	31 1/8" HIGH	A
VAN5434H BK BUTT ■	12"	VAN54 BK BUTT	12"
VAN6034H BK BUTT ■	15"	VAN60 BK BUTT	15"

### Vanity Combo Sink Base • 2 Butt Doors and 3 Drawers



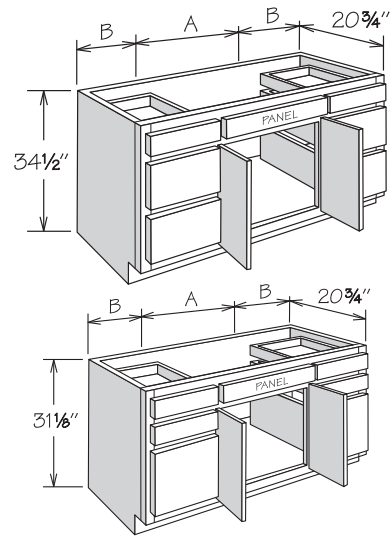
- No shelf
- Drawers available on right or left side (please specify)
- Cabinet shown is right indicating drawers on the right side of the cabinet
- Maximum sink bowl opening is 28 1/2" wide
- Requires off center sink bowl opening

AH ■
APC
CCH
CCDW
CFO
FE
PE
RD
RTK

34 1/2" HIGH	31 1/8" HIGH
VSD4234H BK BUTT ■	VSD42 BK BUTT

## Vanity Combo Sink Base • 2 Butt Doors and 6 Drawers

AH ■
APC
CCH
CCDW
CFO
FE
PE
RD
RTK

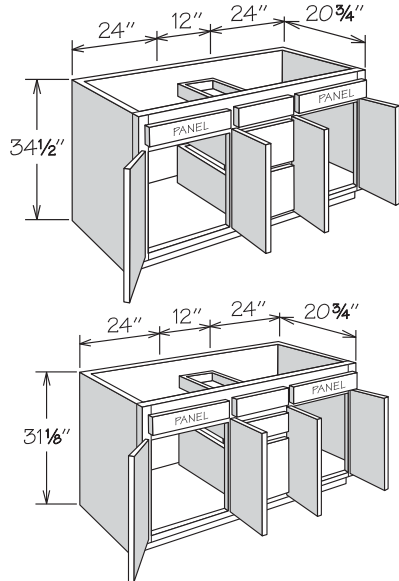


- No shelf
- Subtract 1/2" from depth and dimension A for available sink bowl opening

34 1/2" HIGH	A	B	31 1/8" HIGH	A	B
VSDB4834HD BK BUTT ■	24"	12"	VSDB48D BK BUTT	24"	12"
VSDB5434HD BK BUTT ■	24"	15"	VSDB54D BK BUTT	24"	15"
VSDB6034HD BK BUTT ■	30"	15"	VSDB60D BK BUTT	30"	15"

## Vanity Combo Sink Base • 4 Butt Doors and 3 Drawers

AH ■
APC
CCH
CCDW
CFO
FE
PE
RD
RTK

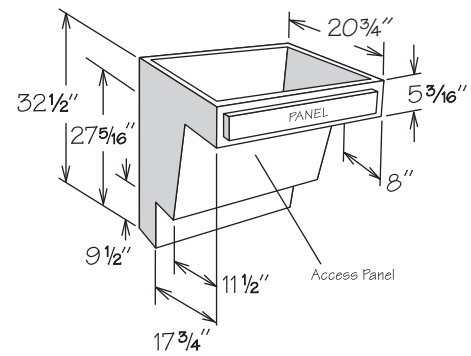


- No shelf
- Subtract 1/2" from depth and each 24" dimension for available sink bowl openings

34 1/2" HIGH	31 1/8" HIGH
VSDB6034HC BK BUTT ■	VSDB60C BK BUTT

## Vanity Sink Base • Vanity Plumbing Skirt

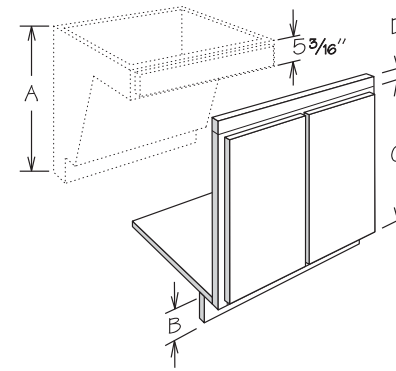
APC
FE



- Features kneehole drawer front - refer to door style section
- Features plywood sides standard
- Removable front access panel
- Subtract 1/2" from width and depth for available sink bowl opening
- Maximum available height inside cabinet for sink bowl is 5"
- Water lines, drains, and P-Trap must be installed at 6" maximum from wall
- Refer to sink manufacturer's specifications for adequate clearance and required installation materials
- Matching toe kick included
- Must be installed between two cabinets or a cabinet and a wall
- May be used with Vanity Adaptable Sink Base Kit (ASB) — Ordered separately

32 1/2" HIGH
VPS30 UD
VPS36 UD

## Vanity • Adaptable Sink Base



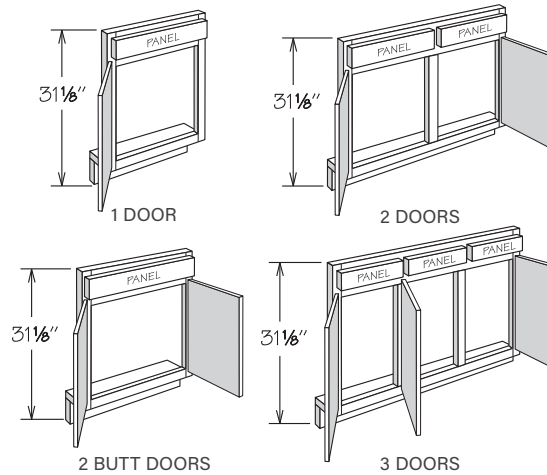
- For use with Vanity Plumbing Skirt (VPS) - MUST be ordered separately
- Kit contains:
  - » Face frame with hinged butt doors
  - » One Tall Filler (S3S396)
  - » Two Drawer Fasteners (DDF FASTENER)
  - » One Sink Floor (FL36)
  - » One Hardwood Cleat (HWC 2X4X96)
  - » Installation instructions
- Features CushionClose hinges standard for all door styles
- Kit must be assembled in the field

A VPS	B DESIRED TOE KICK HEIGHT	C FACE FRAME HEIGHT	D S3S TRIMMED	KIT
32 1/2"	2"	24 1/2"	1 3/16"	ASB_34 KIT
32 1/2"	4"	20 5/8"	2 1/16"	ASB_32 KIT

20 5/8" Frame	24 1/2" Frame
ASB3032 KIT	ASB3034 KIT
ASB3632 KIT	ASB3634 KIT

## Vanity Sink Front

CCH
-----

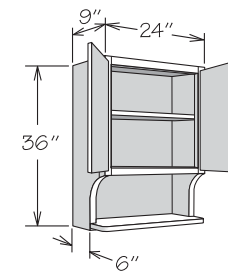


- Not trimmable
- Order floor and returns separately (field trimming may be required) - refer to Panel Section for availability (pages 186-187)
- VSF48 hinged as shown, can be reversed in field

31 1/8" HIGH	
<b>1 Door</b> VSF21	<b>2 Doors</b> VSF39 VSF42
<b>2 Butt Doors</b> VSF24 BUTT VSF30 BUTT VSF36 BUTT	<b>3 Doors</b> VSF48

## Valet Cabinet • 2 Butt Doors

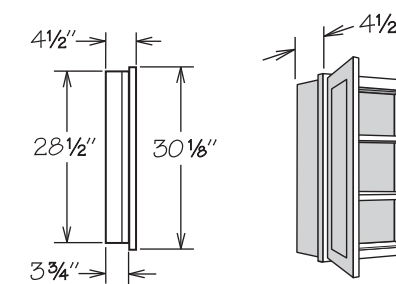
CCH
-----



- Matching interior standard
- Flush sides with no face frame or 1/4" reveals
- Bottom opening: 22 1/2" x 10 7/8"
- Features a fixed shelf
- Sides and bottom shelf feature 3/4" engineered wood veneered on both sides

36" HIGH
VC2436 BUTT

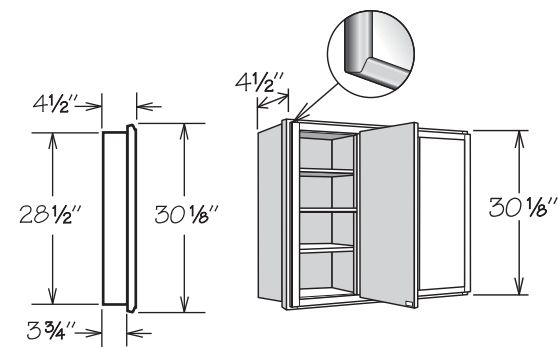
## Medicine Cabinet • 1 Door



- Two adjustable engineered wood shelves
- Surface or recess mount
- MCM1530 features a mirrored door
- For surface mount installation of wood door styles, trim and apply WEP30 (order separately) to match finish on exterior sides to cabinet frame
- Duraform Breeze, Painted Pewter, and Duraform/Painted Linen door styles feature Matching Interior standard

28 1/2" HIGH	RECESS MOUNT CUTOUT WIDTH	RECESS MOUNT CUTOUT HEIGHT
MC1530	14 1/2"	28 1/2"
MCM1530	14 1/2"	28 1/2"

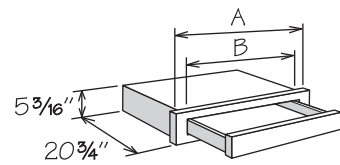
## Tri-View Mirror • 3 Doors



- All three mirrored doors swing open for easy access to the six adjustable shelves
- Surface or recess mount
- For surface mount installation of wood door styles, trim and apply WEP30 (order separately) to match finish on exterior sides to cabinet frame
- Chrome hardware
- Duraform Breeze, Painted Pewter, and Duraform/Painted Linen door styles feature Matching Interior standard

	OVERALL WIDTH	OVERALL HEIGHT	RECESS MOUNT CUTOUT WIDTH	RECESS MOUNT CUTOUT HEIGHT
TV3030	30"	30 1/8"	28 1/2"	28 1/2"
TV3630	36"	30 1/8"	34 1/2"	28 1/2"

## Kneehole Drawer Cabinet

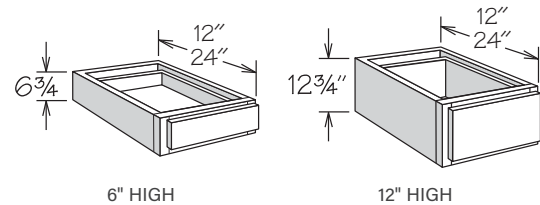


- Designed for desk or vanity application
- Field trimmable in height to 4 3/4"
- Field trimmable in depth to 18" or available with RD-20 through RD-12
- Drawer front complements door style - refer to door style section

CCDW
RD

	A	B	MAX. TRIM
KDC27/21	27"	17 3/4"	21" (3" each side)
KDC33/27	33"	23 3/4"	27" (3" each side)
KDC36/33	36"	29 3/4"	33" (1 1/2" each side)

## Furniture Drawer Cabinet • 1 Drawer



- 6" high features one standard drawer and 12" high features one large drawer
- 24" deep Furniture Drawer cabinets are only available with RD-23 through RD-13
- Bottom of cabinet frame must be fully supported

APC
CCDW
CFO
FE
PE
RD

### 6" HIGH • 1 DRAWER

#### 12" Deep

FD121206  
FD151206  
FD181206  
FD211206  
FD241206  
FD271206  
FD301206  
FD331206  
FD361206

#### 24" Deep

FD122406 ■  
FD152406 ■  
FD182406 ■  
FD212406 ■  
FD242406 ■  
FD272406 ■  
FD302406 ■  
FD332406 ■  
FD362406 ■

### 12" HIGH • 1 DRAWER

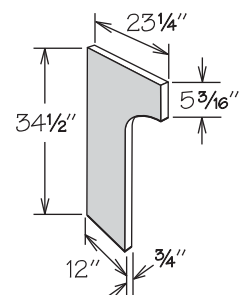
#### 12" Deep

FD121212  
FD151212  
FD181212  
FD211212  
FD241212  
FD271212  
FD301212  
FD331212  
FD361212

#### 24" Deep

FD122412 ■  
FD152412 ■  
FD182412 ■  
FD212412 ■  
FD242412 ■  
FD272412 ■  
FD302412 ■  
FD332412 ■  
FD362412 ■

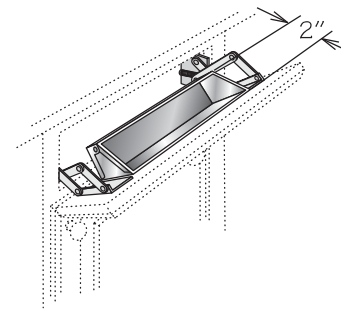
## Desk End Panel



- All door styles feature 3/4" veneered engineered wood finished to match cabinet box exterior on both sides
- Recommend QM8 be ordered for installation to ensure proper attachment to wall
- Field trimmable
- Edge banded on front

34 1/2" HIGH  
DEP

## Tilt-Out Tray Kit

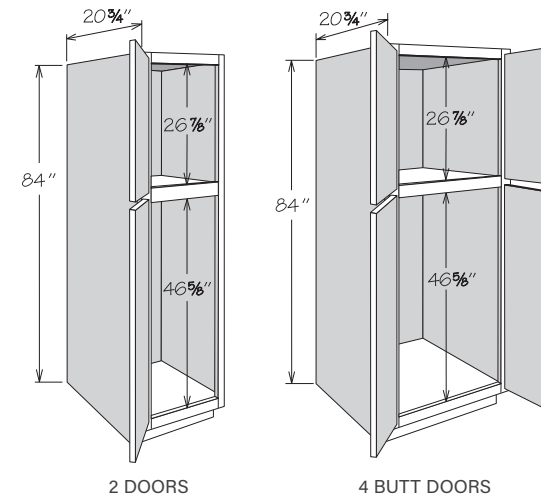


- Field installation accessory
- Kit features tray and one pair of scissor hinges
- For use on existing drawer panels
- STO TRAY 11:
  - » Order one unit for VSB18, VSB48 (center only) with or VAN48 or VSDB30
- STO TRAY 14:
  - » Order one unit for VSB21, VSB24, VSB27, VSDB24, VSDB27, VSDB39, VSDB48D or VSDB54D
  - » Order two units for VSB42, VSB54 or VSDB60C
- STO TRAY 22:
  - » Order one unit for VSB30, VSB33, VSB36, VAN54, VAN60, VSDB30, VSDB33, VSDB36, VSDB42 or VSDB60D
  - » Order two units for VSB60
- Sink front, base height, and 18" deep units match vanity sink base sizes as noted above
- Tilt-Out Trays are NOT dishwasher safe

### STAINLESS

STO TRAY 11  
STO TRAY 14  
STO TRAY 22

## Vanity Linen Cabinet



- Shelving and optional interior accessories may be ordered separately (refer to vanity linen cabinet accessories for details)
- Cabinet backs are pre-drilled to accept up to four sliding shelves in lower section
- Two door cabinets must be ordered hinged left or right
- Specialty Door cabinets (SD) feature Matching Interior standard and require a specialty door selection
- Bottom doors have a center rail for select door styles - refer to door style section

APC
CCH
CFO
FE
MI
PE
RD

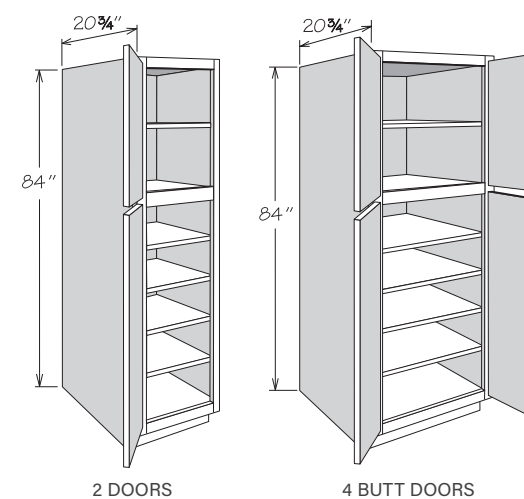
### 2 DOORS

VLC122184 ■  
VLC152184 ■  
VLC182184 ■  
VLC122184 SD  
VLC152184 SD  
VLC182184 SD

### 4 BUTT DOORS

VLC242184 BUTT ■  
VLC242184 BUTT SD

## Vanity Linen Cabinet • with Adjustable Shelves



- Features one full-depth adjustable shelf in top section and four full-depth adjustable shelves in lower section
- Full-depth adjustable shelves are 3/4" engineered wood and edge banded on front edge only
- All shelving packaged separately
- Two door cabinets must be ordered hinged left or right
- Specialty Door cabinets (SD) feature Matching Interior standard and require a specialty door selection
- Bottom doors have a center rail for select door styles - refer to door style section

APC
CCH
FE
MI
PE
RD

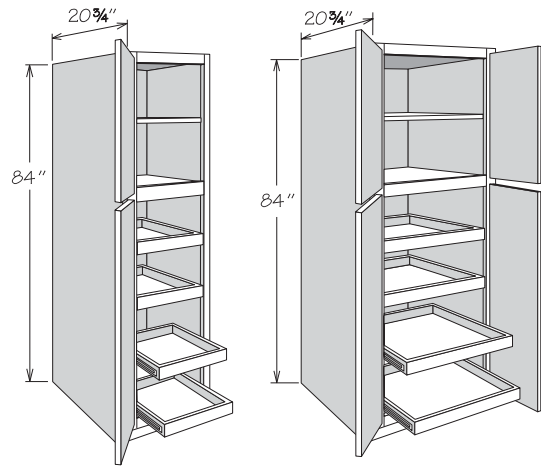
### 2 DOORS

VLC122184 AS ■  
VLC152184 AS ■  
VLC182184 AS ■  
VLC122184 AS SD  
VLC152184 AS SD  
VLC182184 AS SD

### 4 BUTT DOORS

VLC242184 AS BUTT ■  
VLC242184 AS BUTT SD

### Vanity Linen Cabinet • with Sliding Shelves



2 DOORS

4 BUTT DOORS

- Features one full-depth adjustable shelf in top section and four sliding shelves in lower section
- Full-depth adjustable shelf is 3/4" engineered wood and edge banded on front edge only
- Adjustable shelf and sliding shelves packaged separately
- Engineered wood sliding shelves included for all construction types
- Two door cabinets must be ordered hinged left or right
- Specialty Door cabinets (SD) feature Matching Interior standard and require a specialty door selection
- Bottom doors have a center rail for select door styles - refer to door style section

APC
CCH
CCSS
FE
MI
PE
RD

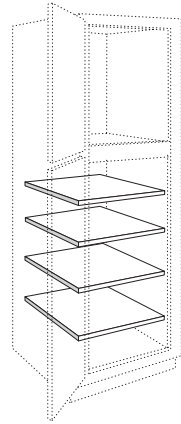
#### 2 DOORS

- VLC122184 4SSK
- VLC152184 4SSK
- VLC182184 4SSK
- VLC122184 4SSK SD
- VLC152184 4SSK SD
- VLC182184 4SSK SD

#### 4 BUTT DOORS

- VLC242184 4SSK BUTT
- VLC242184 4SSK BUTT SD

### Vanity Linen Cabinet • Adjustable Shelves



- Field installation accessory
- 3/4" engineered wood
- Edge banded on front edge only
- CLIP LOCK shelf rests included

APC
MI
RD

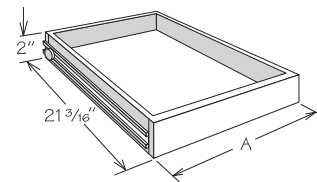
#### ADJUSTABLE SHELF

- S1221
- S1521
- S1821
- S2421

#### 4 PACK SHELF KIT

- SK1221
- SK1521
- SK1821
- SK2421

### Vanity Linen Cabinet • Sliding Shelves



- Field installation accessory
- Engineered wood sliding shelves with solid hardwood front, MDF bottom, and side-mounted drawer glides
- Includes sliding shelf, all glide hardware, and instructions

CCSS
RD

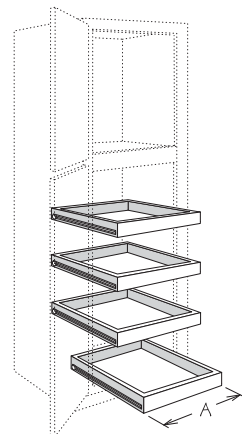
#### SLIDING SHELF KIT

- SSK1221
- SSK1521
- SSK1821
- SSK2421

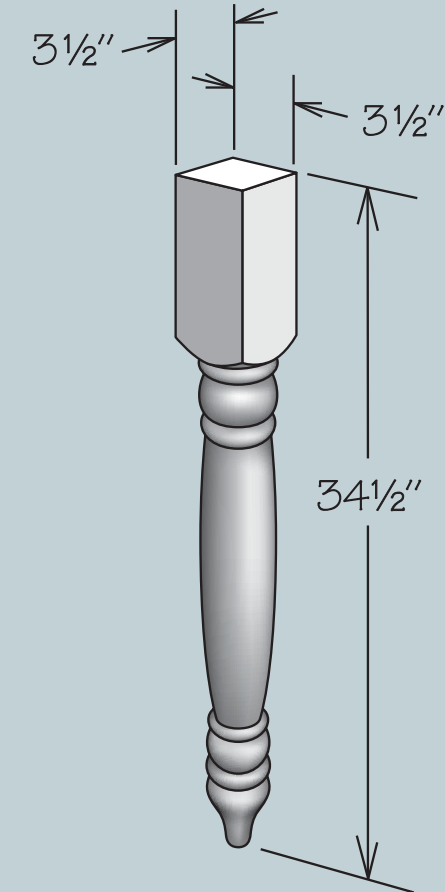
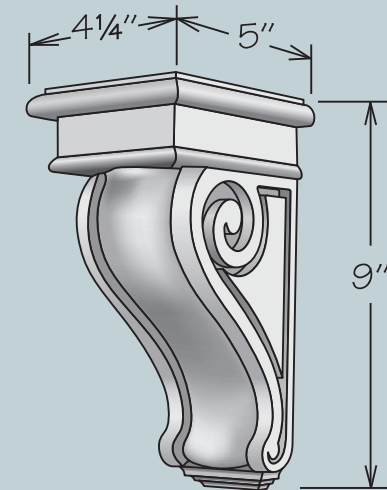
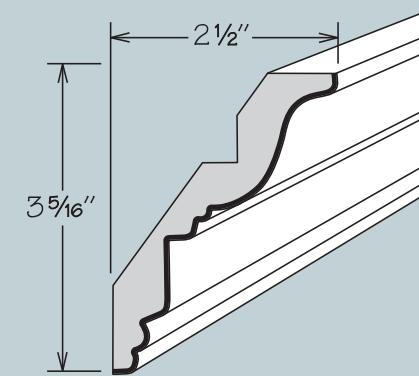
#### 4 PACK SLIDING SHELF KIT

- USS1221-4K
- USS1521-4K
- USS1821-4K
- USS2421-4K

A
8 1/2"
11 1/2"
14 1/2"
20 1/2"

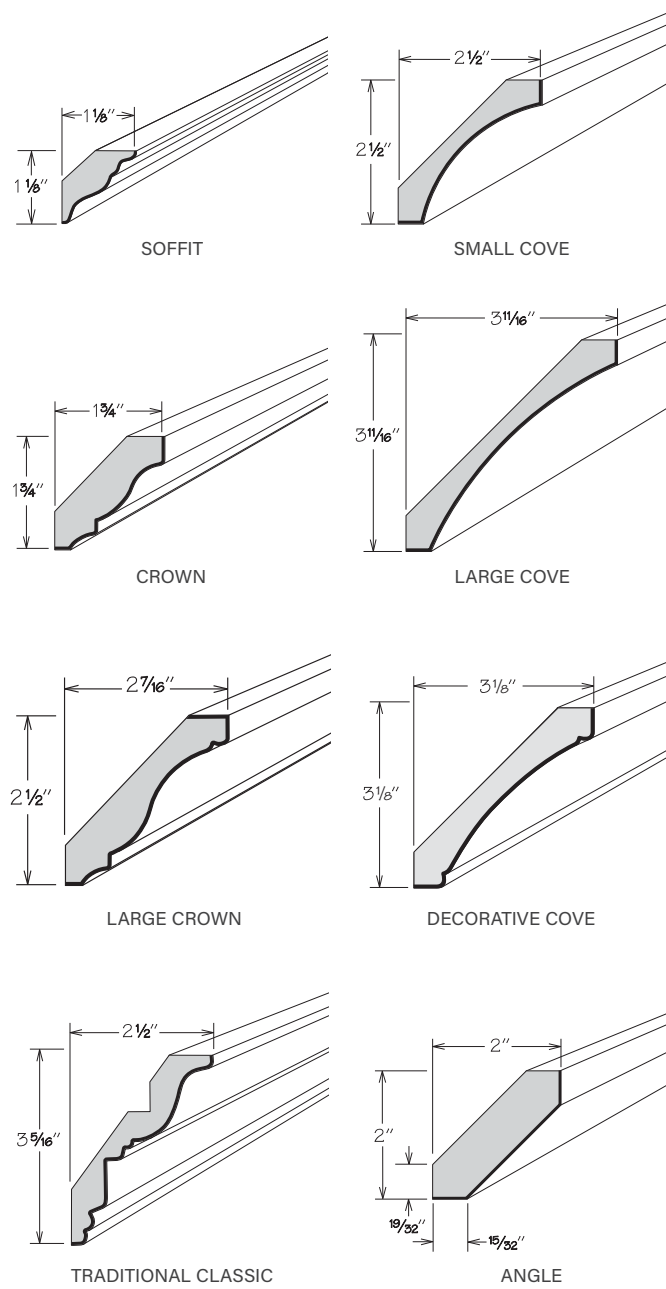


# MOLDING & DECORATIVE ACCENTS





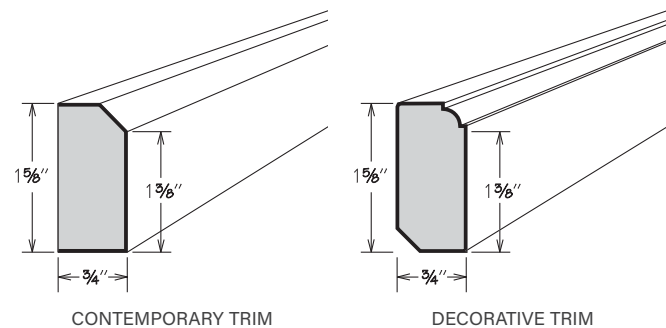
## Crown Molding



- 94" long
- Wood and Painted finishes feature solid wood finished to match cabinet box exterior - glazed finishes on CM8, DSCVM8, LCM8, SCM8 and TCCM8 will be glazed
- Duraform Breeze and Drift finishes:
  - » Feature Duraform textured wrapped MDF to match cabinet door for ACM8 DT, SCVM8 DT, and LCV8 DT
  - » Feature solid wood finished to match cabinet box exterior for SCM8, CM8, LCM8, TCCM8, ACM8, SCVM8, LCV8, and DCVM8
- Duraform Espresso, Harbor, Linen, and Stone finishes:
  - » Feature Duraform wrapped MDF for SCM8, CM8, TCCM8, and ACM8
  - » Feature solid wood finished to match cabinet box exterior for SCVM8, LCV8, and DCVM8
- TCCM8 may use OGE8, SBIM8, or SIM8 as accent
- Bold line indicates finished surfaces

<b>SOFFIT</b>	<b>SMALL COVE</b>
SCM8	SCVM8 SCVM8 DT
<b>CROWN</b>	<b>LARGE COVE</b>
CM8	LCVM8 LCVM8 DT
<b>LARGE CROWN</b>	<b>DECORATIVE COVE</b>
LCM8	DCVM8
<b>TRADITIONAL CLASSIC</b>	<b>ANGLE</b>
TCCM8	ACM8 ACM8 DT

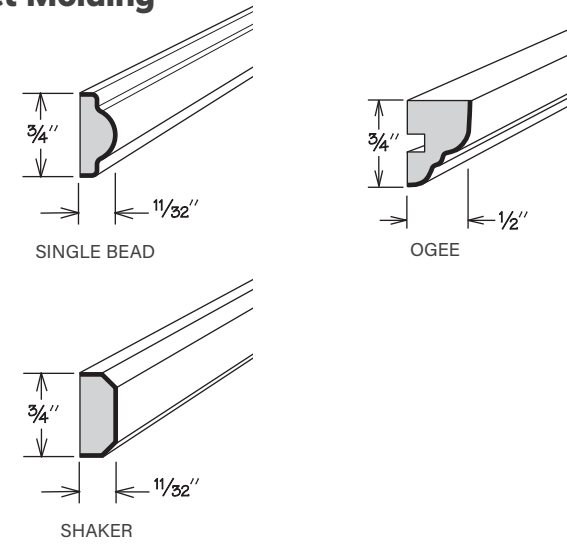
## Edge Molding



- 94" long
- All finishes feature solid wood finished to match cabinet box exterior for CTM8 and DCTM8 - glazed finishes on DTCM8 will be glazed
- Duraform Breeze and Drift finishes feature Duraform textured wrapped MDF to match cabinet door for CTM8 DT
- Can be used as light rail molding (cleating may be required)
- Bold line indicates finished surfaces

<b>CONTEMPORARY TRIM</b>	<b>DECORATIVE TRIM</b>
CTM8 CTM8 DT	DCTM8

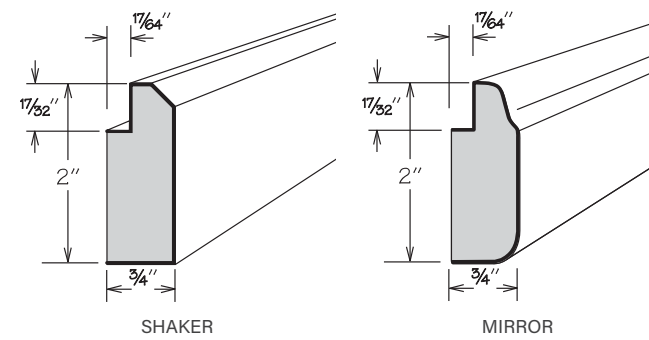
## Inset Molding



- 94" long
- All finishes feature solid wood finished to match cabinet box exterior - glazed finishes on OGE8 and SBIM8 will be glazed
- May be used as accent on TCCM8 and ILR8
- Bold line indicates finished surfaces

<b>SINGLE BEAD</b>	<b>Ogee</b>
SBIM8	OGE8
<b>SHAKER</b>	
SIM8	

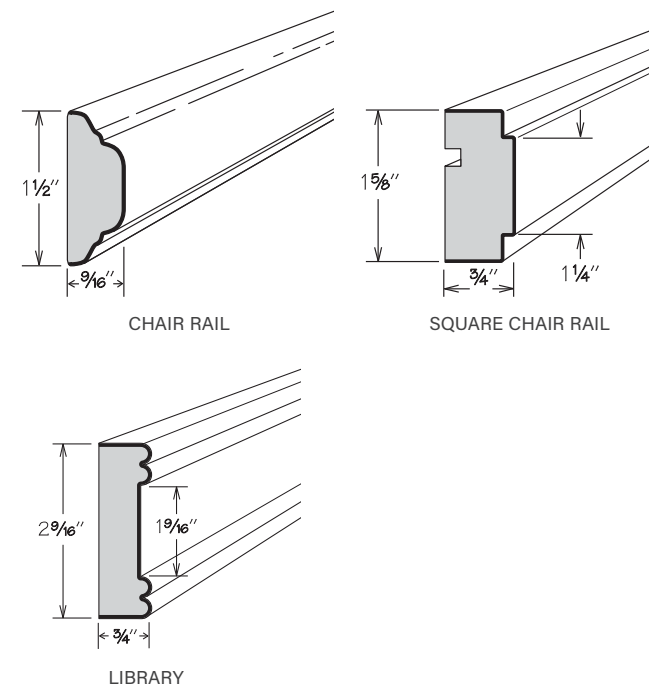
## Mirror Molding



- 94" long
- All finishes feature solid wood finished to match cabinet box exterior - glazed finishes on MM8 will be glazed
- Bold line indicates finished surfaces

<b>SHAKER</b>	<b>MIRROR</b>
SMM8	MM8

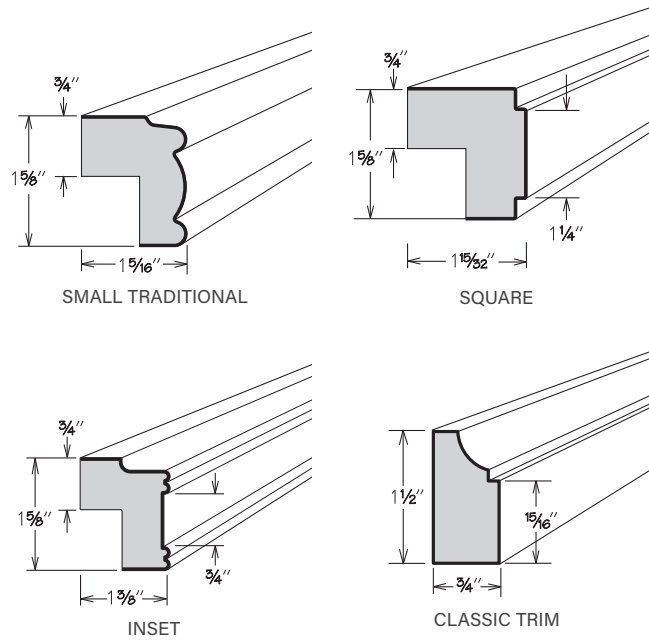
## Chair Rail and Specialty Molding



- 94" long
- All finishes feature solid wood finished to match cabinet box exterior - glazed finishes will be glazed
- May be used as vertical decorative molding (i.e. seams between bookshelves or in lieu of an overlay filler)
- Bold line indicates finished surfaces

<b>CHAIR RAIL</b>	<b>SQUARE CHAIR RAIL</b>
CR8	SQCR8
<b>LIBRARY</b>	
LBM8	

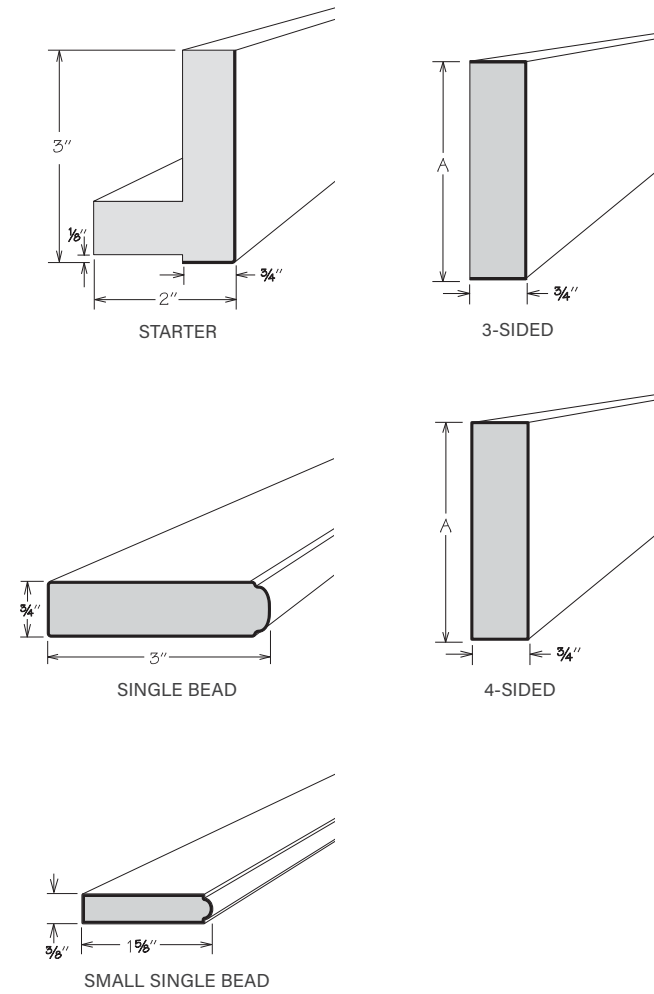
### Light Rail Molding



- 94" long
- All finishes feature solid wood finished to match cabinet box exterior - glazed finishes on ILR8, STLR8 and SQLR8 will be glazed
- ILR8 and LBM8 may use SBIM8 or SIM8 as accent
- CLTM8 can be used as light rail or edge molding (cleating may be required when used as light rail)
- Bold line indicates finished surfaces

<b>SMALL TRADITIONAL</b> STLR8	<b>SQUARE</b> SQLR8
<b>INSET</b> ILR8	<b>CLASSIC TRIM</b> CLTM8

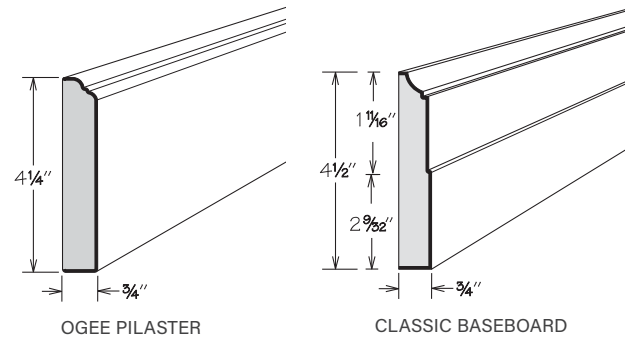
### Molding Stock



- All finishes feature solid wood finished to match cabinet box exterior - glazed finishes on SBM8 and SSBM8 will be glazed
- Duraform Breeze and Drift finishes feature Duraform textured wrapped MDF to match cabinet door for S3S396 DT and S3S696 DT
- 3-Sided and 4-Sided Stock may also be used in vertical applications (as a filler) or horizontal applications (as furniture toe)
- Bold line indicates finished surfaces

	LENGTH		LENGTH
<b>STARTER</b> STRM8	94"	<b>3-SIDED</b> S3S396	96"
<b>SINGLE BEAD</b> SBM8	94"	S3S396 DT	96"
<b>SMALL SINGLE BEAD</b> SSBM8	94"	S3S696	96"
		S3S696 DT	96"
		<b>4-SIDED</b> S4S396	96"
		S4S696	96"

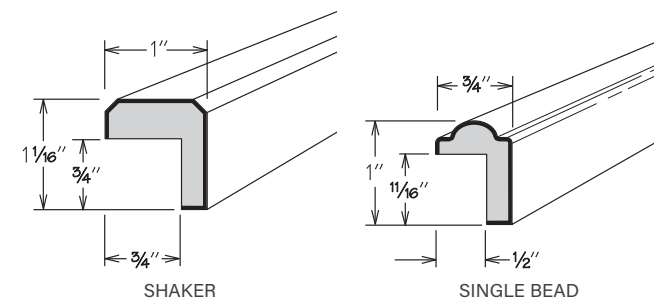
### Base Molding



- 94" long
- Wood, Painted, and Duraform Breeze and Drift finishes feature solid wood finished to match cabinet box exterior - glazed finishes will be glazed
- Duraform Espresso, Harbor, Linen, and Stone door styles:
  - » Feature Duraform wrapped MDF finished to match cabinet box exterior for OGP8
  - » Feature solid wood finished to match exterior cabinet box exterior for CLBM8
- For use with furniture toe or top molding applications
- Bold line indicates finished surfaces

<b>OGEE PILASTER</b> OGP8	<b>CLASSIC BASEBOARD</b> CLBM8
------------------------------	-----------------------------------

### Accent Molding

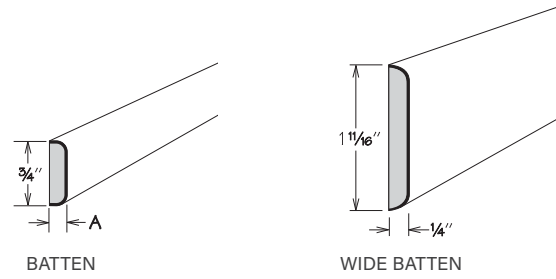


- 94" long
- All finishes feature solid wood finished to match cabinet box exterior - glazed finishes on SBAM8 will be glazed
- May be used as accent on Wall China, Wine Storage and Base Microwave cabinets
- Bold line indicates finished surfaces

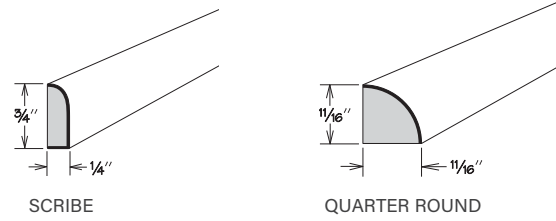
<b>SHAKER</b> SAM8	<b>SINGLE BEAD</b> SBAM8
-----------------------	-----------------------------



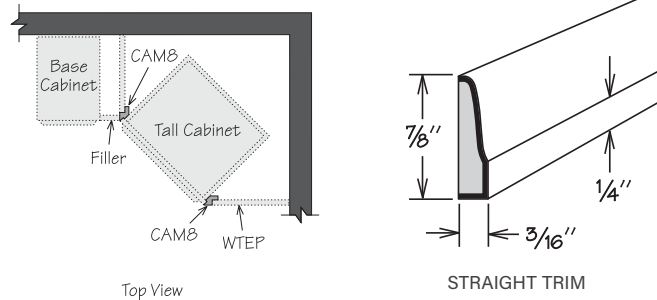
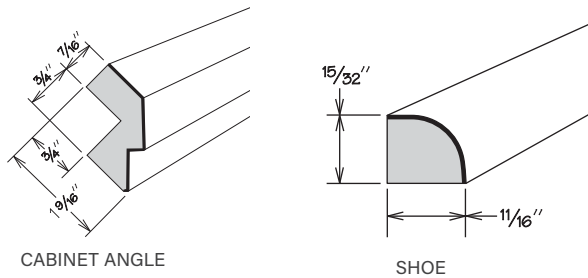
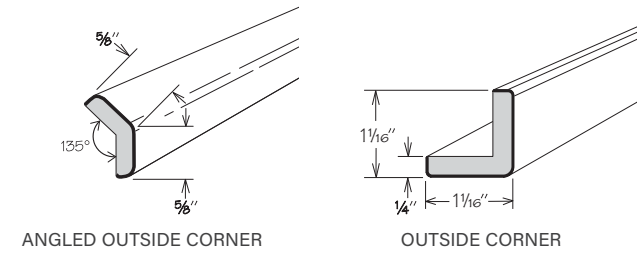
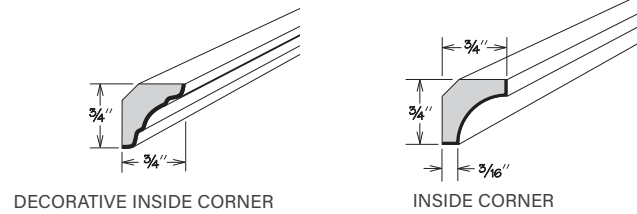
## Trim Molding



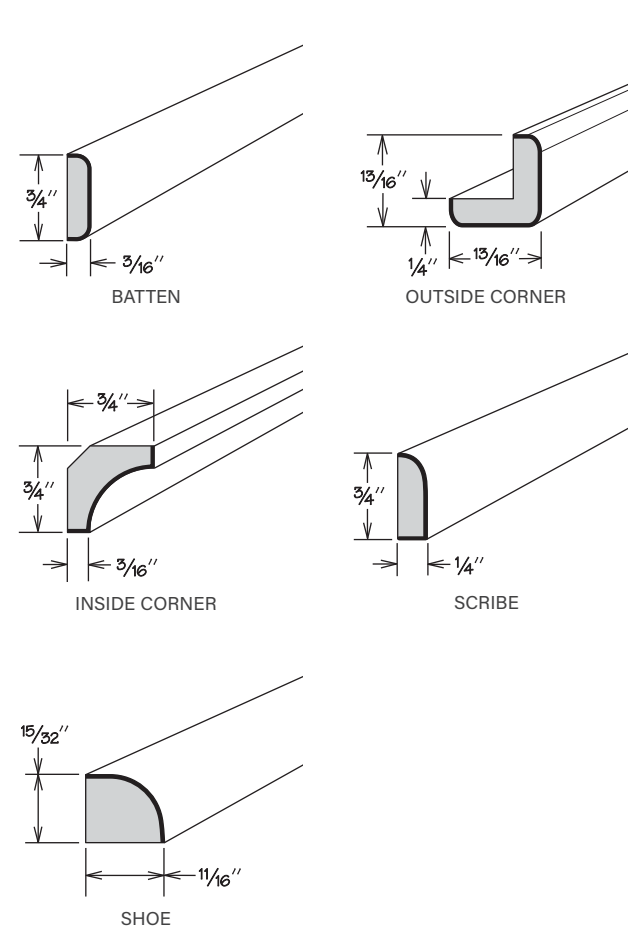
- All finishes feature solid wood finished to match cabinet box exterior for SHM8, UM8, BM8, SM8, SM10, ICM8, AOSC8, CAM8, WBM8, QR8, QM8, and OTCM8 - glazed finishes on ICM8 will be glazed
- Duraform Breeze and Drift finishes feature Duraform textured wrapped MDF to match cabinet door for SM8 DT, QM8 DT, OTCM8 DT, BM8 DT, and SHM8 DT
- Cabinet Angle Molding (CAM8):
  - Can be used in corner application to place cabinet at 45° angle
  - Cannot be installed on cabinets with the Furniture Ends Option (FE)
- Bold line indicates finished surfaces



	A	LENGTH	LENGTH
<b>BATTEN</b>			
BM8	3/16"	94"	
BM8 DT	3/16"	94"	
<b>SCRIBE</b>			
SM8	—	94"	
SM8 DT	—	94"	
SM10	—	120"	
<b>DECORATIVE INSIDE CORNER</b>			
ICM8	—	94"	
<b>ANGLED OUTSIDE CORNER</b>			
AOSC8	—	94"	
<b>CABINET ANGLE</b>			
CAM8	—	94"	
<b>WIDE BATTEN</b>			
WBM8			94"
<b>QUARTER ROUND</b>			
QR8			94"
<b>INSIDE CORNER</b>			
QM8			94"
QM8 DT			94"
<b>OUTSIDE CORNER</b>			
OTCM8			94"
OTCM8 DT			94"
<b>SHOE</b>			
SHM8			94"
SHM8 DT			94"
<b>STRAIGHT TRIM</b>			
UM8			94"



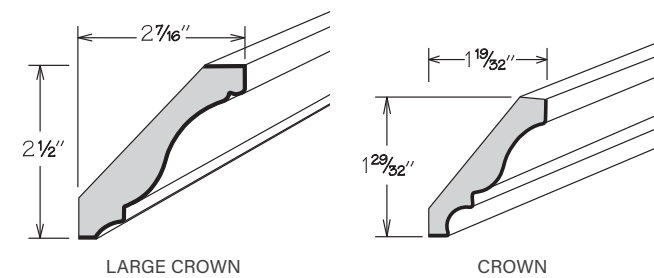
## Builder Trim Molding



- All finishes feature stained, painted, or laminate wrapped hardwood or MDF finished to match cabinet box exterior
- Bold line indicates finished surfaces

	LENGTH		LENGTH
<b>BATTEN</b>		<b>OUTSIDE CORNER</b>	
BM8 BLD	94"	OCM8 BLD	94"
<b>INSIDE CORNER</b>		<b>SCRIBE</b>	
QM8 BLD	94"	SM8 BLD	96"
<b>SHOE</b>			
SHM8 BLD	94"		

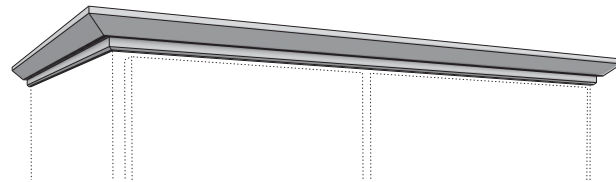
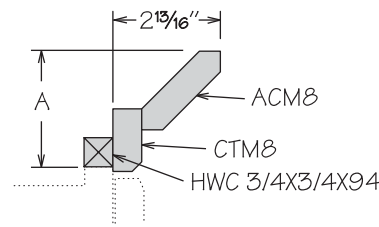
## Builder Crown Molding



- 94" long
- All finishes feature stained, painted, or laminate wrapped hardwood or MDF finished to match cabinet box exterior - glazed finishes will be glazed
- Bold line indicates finished surfaces

LARGE CROWN	CROWN
LCM8 BLD	CM8 BLD

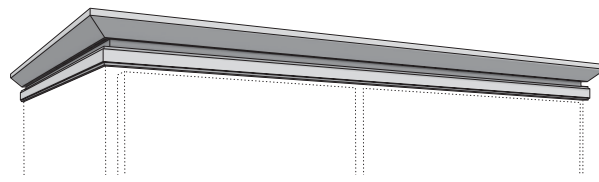
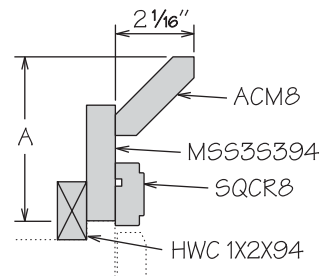
**Molding Stack • Modern** NEW! PRODUCT



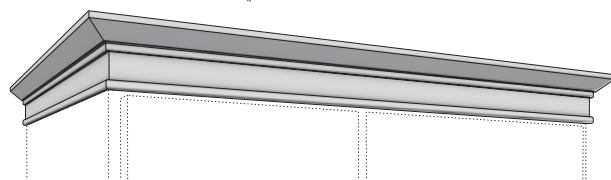
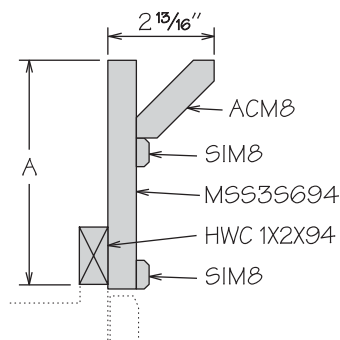
MODERN 100

- 94" long
- All door styles feature solid wood finished to match cabinet box exterior
- Height dimensions are above the face-frame height when used as shown
- Modern 100 pre-packaged molding kit includes:
  - » ACM8
  - » CTM8
  - » HWC 3/4X3/4X94
- Modern 200 pre-packaged molding kit includes:
  - » ACM8
  - » MSS3S394
  - » SQCR8
  - » HWC 1X2X94
- Modern 300 pre-packaged molding kit includes:
  - » ACM8
  - » SIM8 (2)
  - » MSS3S694
  - » HWC 1X2X94
- Molding Stacks shipped unassembled
- Molding Stacks to be cut, assembled and field installed at job site
- Only one finish can be specified per Molding Stack
- Molding Stack diagram included
- Refer to specifications on individual molding included in molding stack

MODERN	HEIGHT SHOWN	A MIN.	A MAX.
MS MODERN 100	3"	2 3/16"	3"
MS MODERN 200	4 1/4"	3 3/16"	4 1/2"
MS MODERN 300	5 7/8"	5 7/8"	7 3/8"

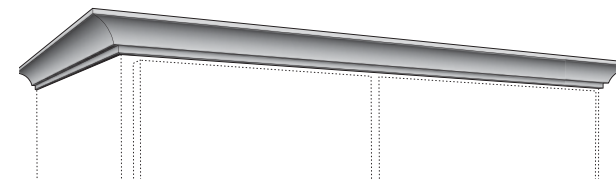
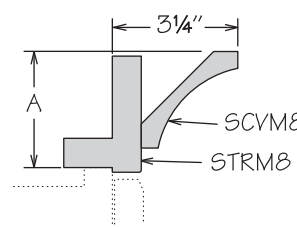


MODERN 200



MODERN 300

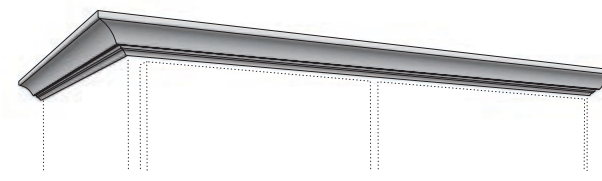
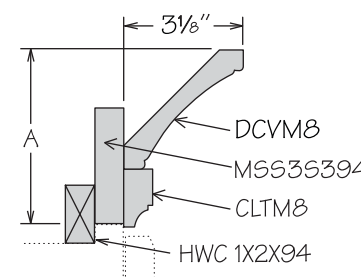
**Molding Stack • Transitional** NEW! PRODUCT



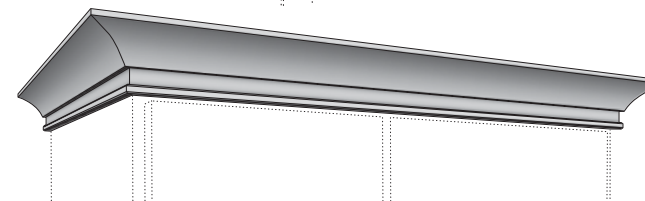
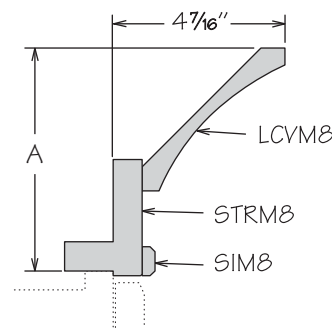
TRANSITIONAL 100

- 94" long
- All door styles feature solid wood finished to match cabinet box exterior
- Height dimensions are the above-face-frame height when used as shown
- Transitional 100 pre-packaged molding kit includes:
  - » SCVM8
  - » STRM8
- Transitional 200 pre-packaged molding kit includes:
  - » DCVM8
  - » MSS3S394
  - » CLTM8
  - » HWC 1X2X94
- Transitional 300 pre-packaged molding kit includes:
  - » LCVMB
  - » STRM8
  - » SIM8
- Molding Stacks shipped unassembled
- Molding Stacks to be cut, assembled and field installed at job site
- Only one finish can be specified per Molding Stack
- Molding Stack diagram included
- Refer to specifications on individual molding included in molding stack

TRANSITIONAL	HEIGHT SHOWN	A MIN.	A MAX.
MS TRANSITIONAL 100	3"	2 7/8"	4 3/4"
MS TRANSITIONAL 200	4 1/2"	4 1/2"	5 1/2"
MS TRANSITIONAL 300	5 3/4"	4 5/8"	5 5/8"



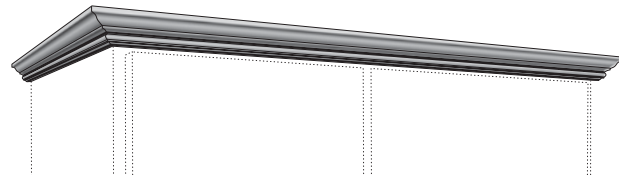
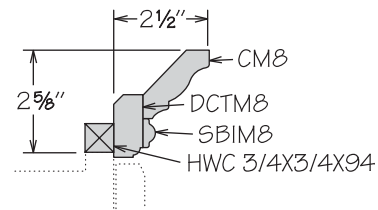
TRANSITIONAL 200



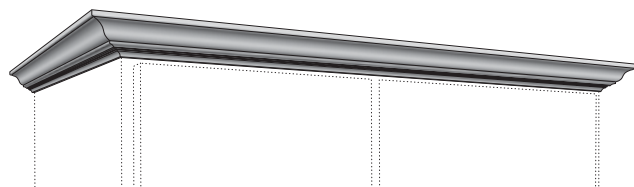
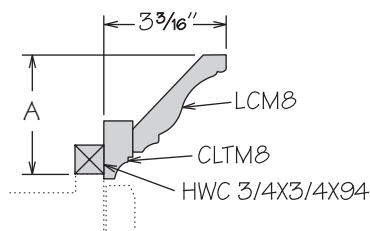
TRANSITIONAL 300

**Molding Stack • Classic** NEW! PRODUCT

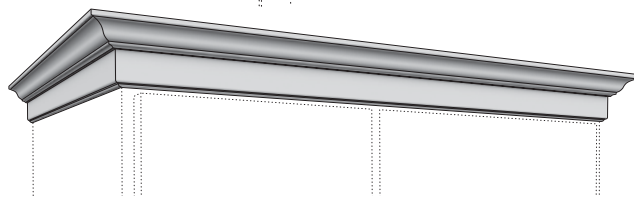
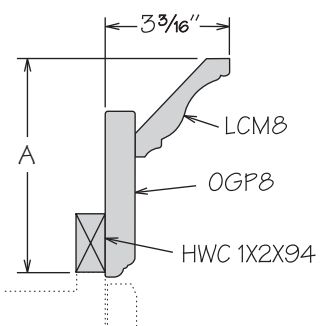
- 94" long
- All door styles feature solid wood finished to match cabinet box exterior
- Height dimensions are the above-face-frame height when used as shown
- Classic 100 pre-packaged molding kit includes:
  - » CM8
  - » DCTM8
  - » SBIM8
  - » HWC 3/4X3/4X94
- Classic 200 pre-packaged molding kit includes:
  - » LCM8
  - » CLTM8
  - » HWC 3/4X3/4X94
- Classic 300 pre-packaged molding kit includes:
  - » LCM8
  - » OGP8
  - » HWC 1X2X94
- Molding Stacks shipped unassembled
- Molding Stacks to be cut, assembled and field installed at job site
- Only one finish can be specified per Molding Stack
- Molding Stack diagram included
- Refer to specifications on individual molding included in molding stack



CLASSIC 100



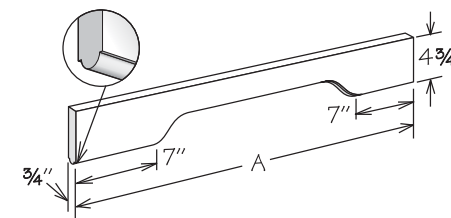
CLASSIC 200



CLASSIC 300

CLASSIC	HEIGHT SHOWN	A MIN.	A MAX.
MS CLASSIC 100	2 5/8"	-	-
MS CLASSIC 200	3 1/16"	2 15/16"	3 5/16"
MS CLASSIC 300	5 1/2"	4 1/8"	6"

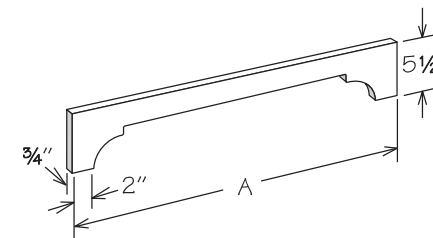
**Arched Valance**



- Field trimmable
- All door styles feature solid wood finished to match cabinet box exterior
- Dimension from height of arch to top of valance is 2 1/2"

	A	MAX. TRIM (6 1/8" each end)
V36 AR	36 1/4"	24"
V48 AR	48 1/4"	36"
V60 AR	60 1/4"	48"
V72 AR	72 1/4"	60"

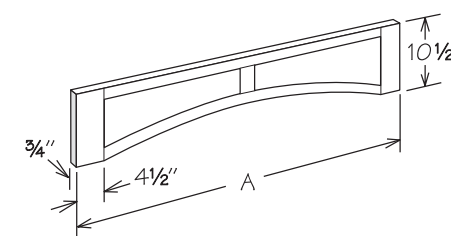
**Crown Valance**



- Field trimmable
- All door styles feature solid wood finished to match cabinet box exterior
- Dimension from height of arch to top of valance is 2 1/4"

	A	MAX. TRIM (1 1/2" each end)
V30 CR	30 1/4"	27 1/4"
V36 CR	36 1/4"	33 1/4"
V42 CR	42 1/4"	39 1/4"
V48 CR	48 1/4"	45 1/4"
V60 CR	60 1/4"	57 1/4"
V72 CR	72 1/4"	69 1/4"

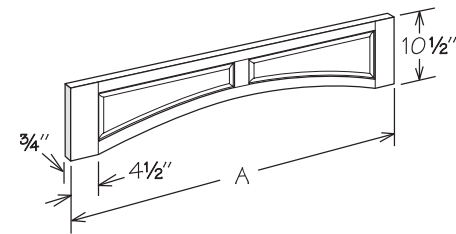
**Flat Panel Arched Valance**



- Field trimmable
- All door styles feature solid wood finished to match cabinet box exterior - glazed finishes will be glazed
- Dimension from height of arch to top of valance is 8 1/2"

	A	MAX. TRIM (3" each end)	NUMBER OF PANELS
V36 FP	36"	30"	2
V42 FP	42"	36"	2
V48 FP	48"	42"	2
V54 FP	54"	48"	3
V60 FP	60"	54"	3
V66 FP	66"	60"	3
V72 FP	72"	66"	3

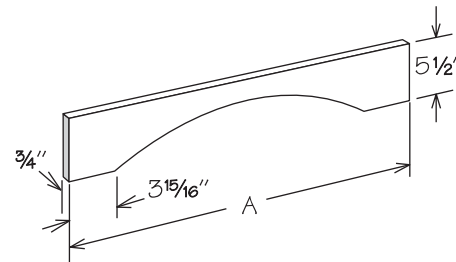
## Raised Panel Arched Valance



- Field trimmable
- All door styles feature solid wood finished to match cabinet box exterior - glazed finishes will be glazed
- Dimension from height of arch to top of valance is 8 1/2"

	A	MAX. TRIM (3" each end)	NUMBER OF PANELS
V36 RP	36"	30"	2
V42 RP	42"	36"	2
V48 RP	48"	42"	2
V54 RP	54"	48"	3
V60 RP	60"	54"	3
V66 RP	66"	60"	3
V72 RP	72"	66"	3

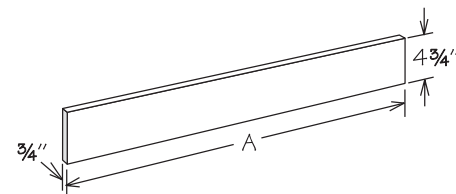
## Shaker Valance



- Field trimmable
- All door styles feature solid wood finished to match cabinet box exterior
- Dimension from height of arch to top of valance is 2 1/4"

	A	MAX. TRIM (3 5/8" each end)
V30 SH	30 1/4"	24"
V36 SH	36 1/4"	30"
V42 SH	42 1/4"	36"
V48 SH	48 1/4"	42"
V60 SH	60 1/4"	54"
V72 SH	72 1/4"	66"

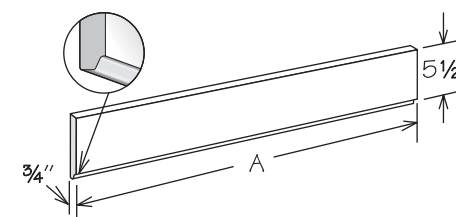
## Straight Valance



- Field trimmable
- All door styles feature solid wood finished to match cabinet box exterior

	A
V48 S	48 1/4"
V72 S	72 1/4"

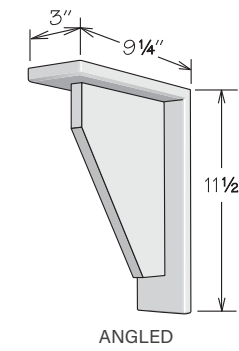
## Traditional Valance



- Field trimmable
- All door styles feature solid wood finished to match cabinet box exterior - glazed finishes will be glazed

	A
V36 T	36 1/4"
V72 T	72 1/4"
V96 T	96 1/4"

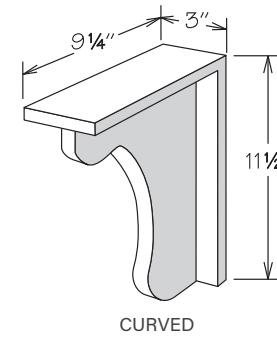
## Angled Corbel



- All door styles feature 5/8" solid wood finished to match cabinet box exterior - glazed finishes will be glazed
- For decorative use only

AS12

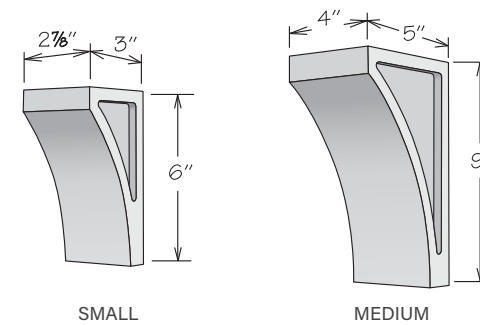
## Curved Corbel



- All door styles feature 5/8" solid wood finished to match cabinet box exterior - glazed finishes will be glazed
- For decorative use only

CS12

## Cove Corbels



- All door styles feature solid wood finished to match cabinet box exterior - glazed finishes will be glazed
- Recessed mounting clips included
- For decorative use only

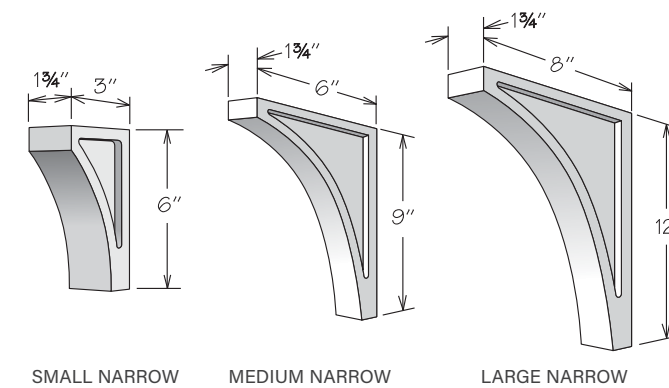
**SMALL**  
CC36

**SMALL NARROW**  
CC26

**MEDIUM**  
CC49

**MEDIUM NARROW**  
CC29

**LARGE NARROW**  
CC212

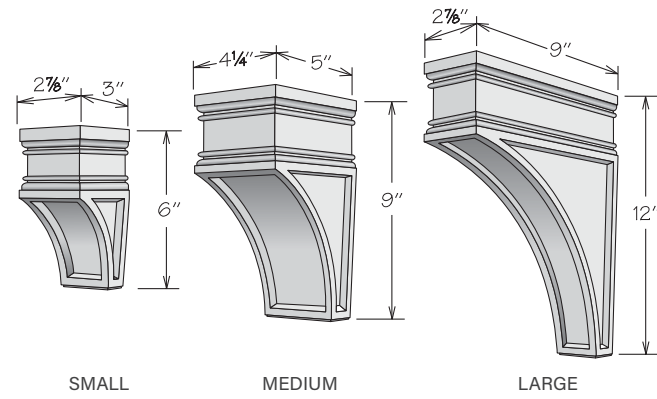


SMALL NARROW

MEDIUM NARROW

LARGE NARROW

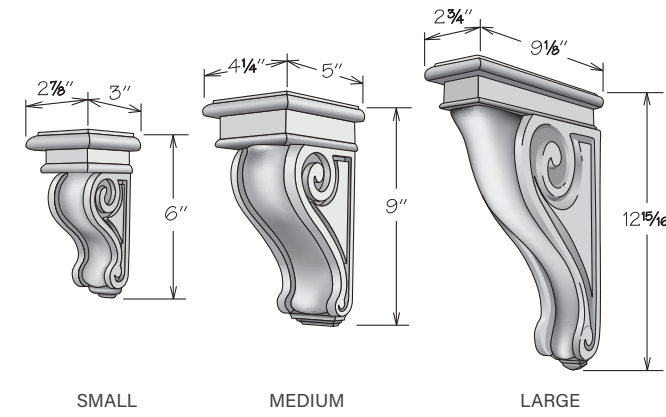
### Valencia Corbels



- All door styles feature solid wood finished to match cabinet box exterior - glazed finishes will be glazed
- Recessed mounting clips included
- For decorative use only

<b>SMALL</b>	<b>LARGE</b>
VC36	VC312
<b>MEDIUM</b>	
VC49	

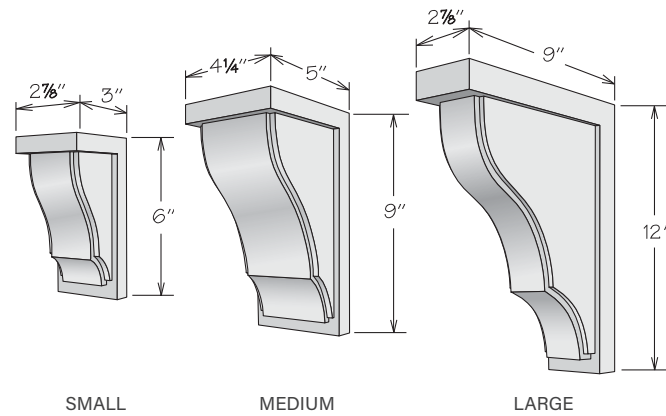
### Rosette Corbels



- All door styles feature solid wood finished to match cabinet box exterior - glazed finishes will be glazed
- Recessed mounting clips included
- For decorative use only

<b>SMALL</b>	<b>LARGE</b>
RC36	RC313
<b>MEDIUM</b>	
RC49	

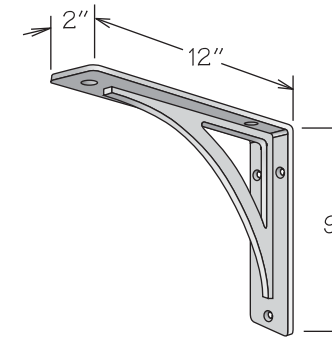
### Finley Corbels



- All door styles feature solid wood finished to match cabinet box exterior - glazed finishes will be glazed
- Recessed mounting clips included
- For decorative use only

<b>SMALL</b>	<b>LARGE</b>
FC36	FC312
<b>MEDIUM</b>	
FC49	

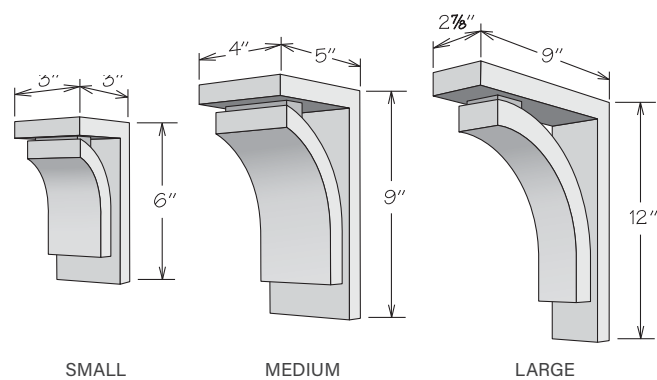
### Metal Cove Corbel



- Mounting clips included
- Can be installed using either height orientation
- Installation instructions included
- Will support up to 100 lbs. when installed per included installation instructions

	<b>FINISH</b>
METAL COVE 212 VB	Verona Bronze
METAL COVE 212 MB	Matte Black
METAL COVE 212 SN	Satin Nickel
METAL COVE 212 PC	Polished Chrome

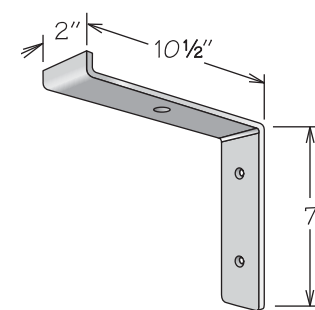
### Prairie Corbels



- All door styles feature solid wood finished to match cabinet box exterior
- Recessed mounting clips included
- For decorative use only

<b>SMALL</b>	<b>LARGE</b>
PC36	PC312
<b>MEDIUM</b>	
PC49	

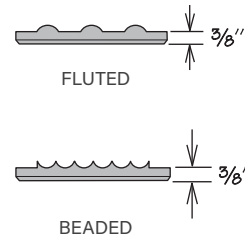
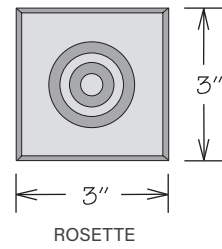
### Metal Emerson Corbel



- Mounting clips included
- Installation instructions included
- Will support up to 100 lbs. when installed per included installation instructions

	<b>FINISH</b>
METAL EMERSON 27 VB	Verona Bronze
METAL EMERSON 27 MB	Matte Black
METAL EMERSON 27 SN	Satin Nickel
METAL EMERSON 27 PC	Polished Chrome

Decorative Blocks



- All door styles feature solid wood finished to match cabinet box exterior - glazed finishes will be glazed
- For use with Fluted Beaded Fillers

**FLUTED**

**Rosette**

FB3X3 ROSETTE

**Plinth - 3"**

FB3X4 PLINTH

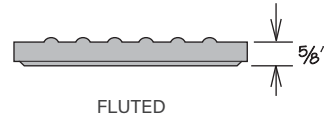
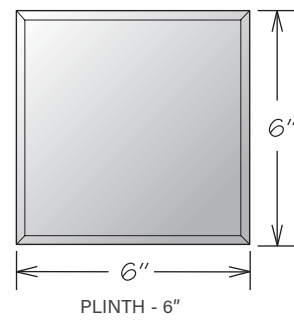
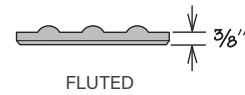
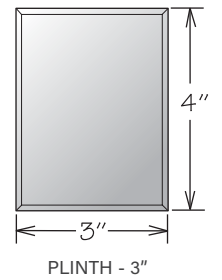
**Plinth - 6"**

FB6X6 PLINTH

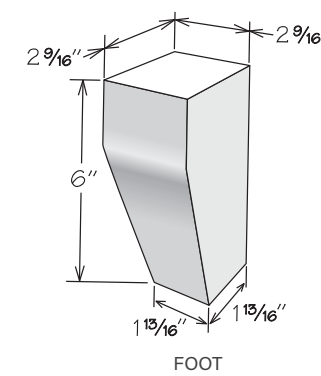
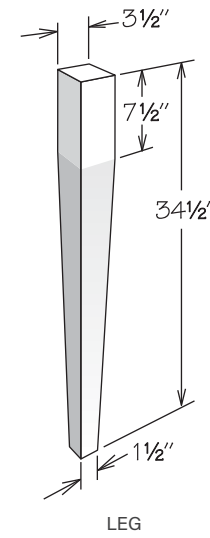
**BEADED**

**Rosette**

BB3X3 ROSETTE



Base Tapered Leg and Foot



- All door styles feature solid wood finished to match cabinet box exterior
- Base Tapered Leg is tapered on all sides and is field trimmable
- Base Tapered Foot is tapered on two sides and is field trimmable to 4" high

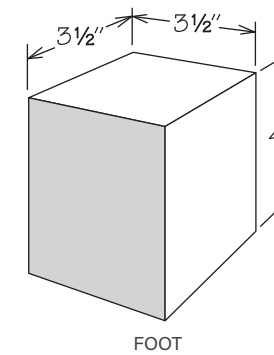
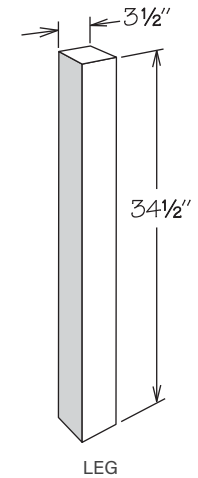
**LEG**

BTPL

**FOOT**

TPF

Base Square Leg and Foot



- All door styles feature solid wood finished to match cabinet box exterior
- Base Square Leg is field trimmable

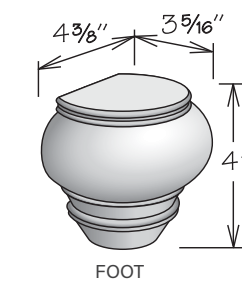
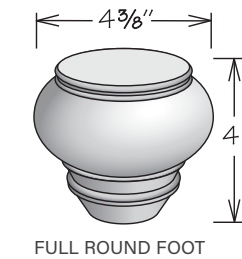
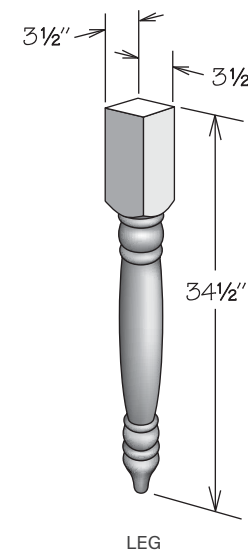
**LEG**

BSQL

**FOOT**

BSQF

Base Turned Leg and Feet



- All door styles feature solid wood finished to match cabinet box exterior - glazed finishes will be glazed
- Base Turned Leg is field trimmable to 28 1/2" high

**LEG**

BTL

**FULL ROUND FOOT**

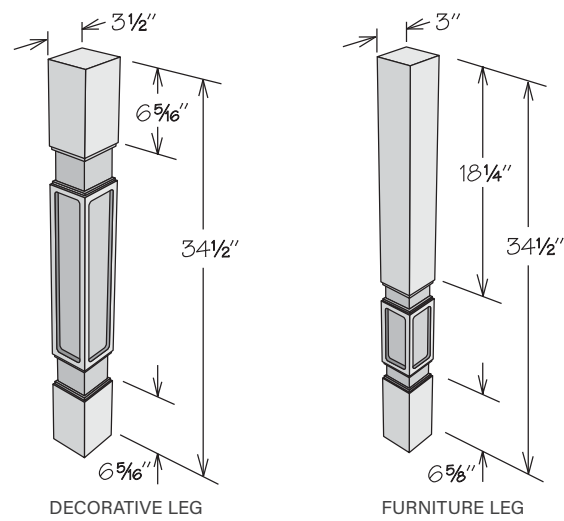
ATF-FR

**FOOT**

ATF



### Parker Legs and Foot



- All door styles feature solid wood finished to match cabinet box exterior - glazed finishes will be glazed
- Legs are field trimmable

**DECORATIVE LEG**

PDL

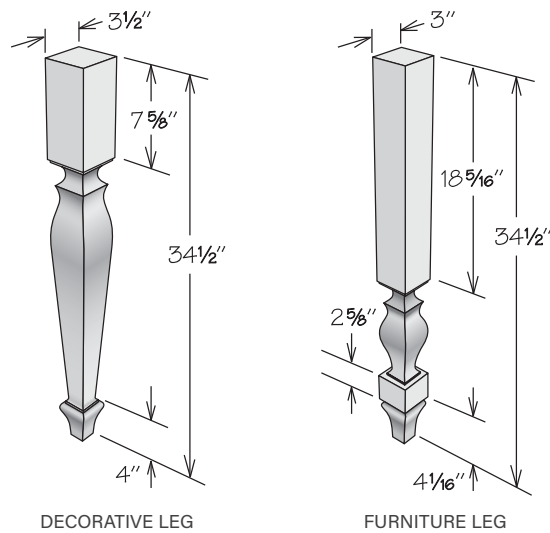
**FURNITURE LEG**

PFL

**FOOT**

PDF

### Chantilly Legs and Foot



- All door styles feature solid wood finished to match cabinet box exterior - glazed finishes will be glazed
- Legs are field trimmable

**DECORATIVE LEG**

CDL

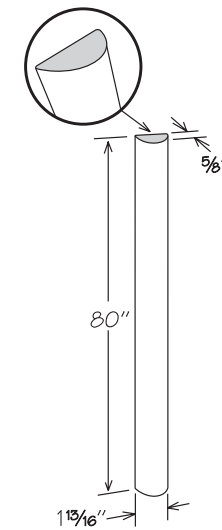
**FURNITURE LEG**

CFL

**FOOT**

CDF

### Split Post

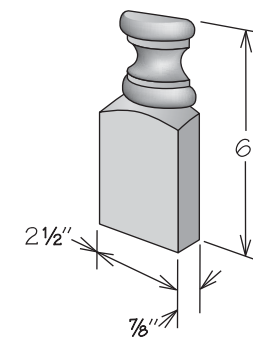


- All door styles feature solid wood finished to match cabinet box exterior
- Field trimmable
- Use with Traditional Split Block to create design element
- Must be mounted to a Universal Filler (order separately)

**SPLIT POST**

SPLT POST80 P

### Traditional Split Block

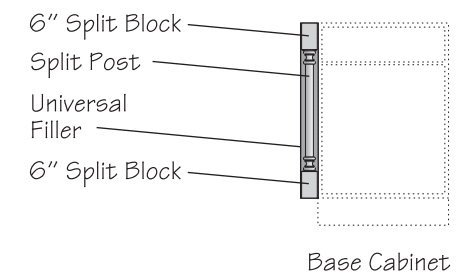
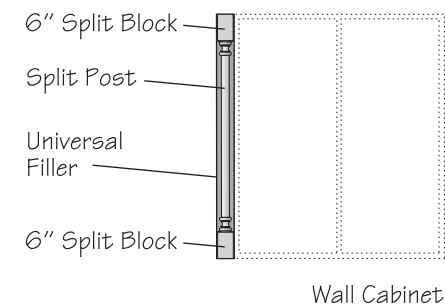


- All door styles feature solid wood finished to match cabinet box exterior - glazed finishes will be glazed
- For floor or wall application
- Use with Split Post to create design element
- Must be mounted to a Universal Filler (order separately)

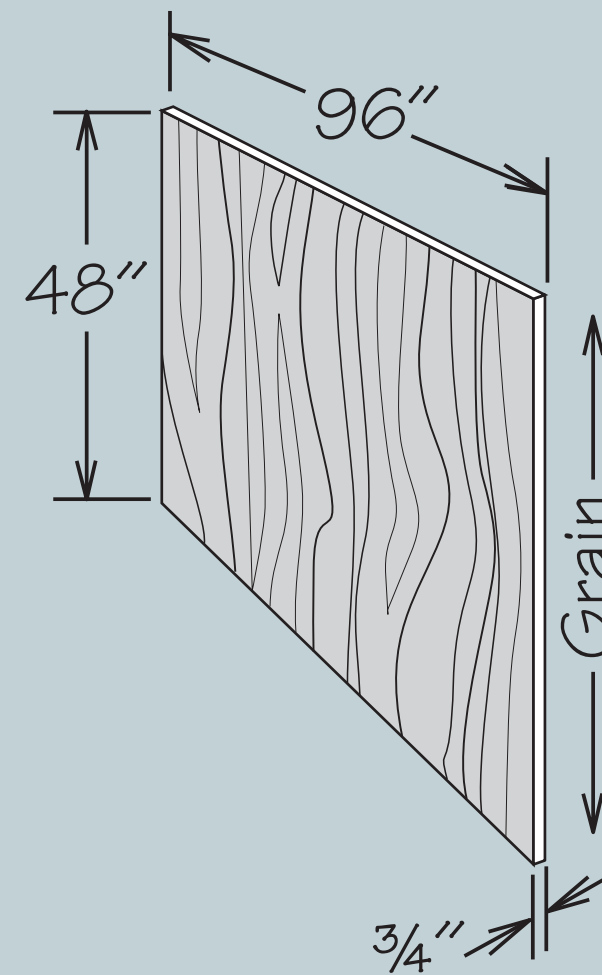
**SPLIT BLOCK**

SPLT BLOCK26 T

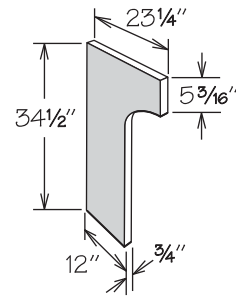
### SUGGESTED DESIGN APPLICATIONS



# PANELS, FILLERS & INSTALLATION ITEMS



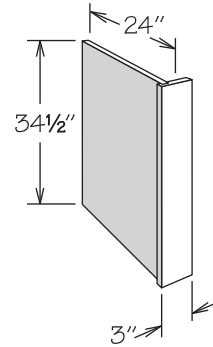
### Desk End Panel



- All door styles feature 3/4" veneered engineered wood finished to match cabinet box exterior on both sides
- Recommend QM8 be ordered for installation to ensure proper attachment to wall
- Field trimmable
- Edge banded on front

DEP

### Dishwasher Return

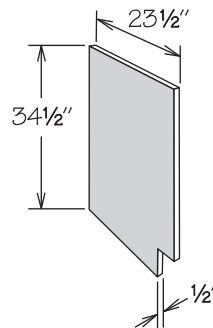


- Reversible for left or right installation
- Solid wood front
- All door styles feature 1/2" engineered wood with outside finished to match cabinet exterior and inside with a natural woodgrain look
- Wall attachment block included
- Field trimmable to 1" in width
- Can be notched for toe kick in the field

APC
FE
PE

DWR3

### Sink/Vanity Front Return

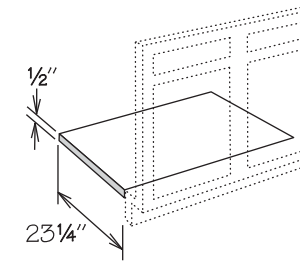


- All door styles feature 1/2" engineered wood with outside to match cabinet exterior and inside with a natural woodgrain look
- Specify left or right
- Attaching blocks included
- SFR (R/L) with the Furniture Ends Option (FE) will include a rabbeted front edge
- Field trimmable

APC
FE
PE

SFRR  
SFRL

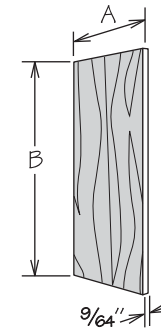
### Sink/Vanity Front Floor



- All door styles feature 1/2" engineered wood with one side finished with a natural woodgrain look
- 1/2" oversize in width
- FL36X36 to be used for CSF36 (field trim to fit)
- FL48X48 to be used for CSF42 (field trim to fit)
- Field trimmable

FL24  
FL36  
FL36X36  
FL48  
FL48X48  
FL60  
FL72

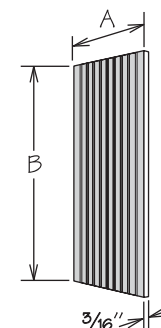
### Paneling



- Wood door styles feature plywood, with vertical grain, finished on one side to match cabinet box exterior
- Duraform and Painted door styles feature engineered wood finished on one side to match cabinet box exterior
- Textured panels feature textured-wrapped engineered wood finished on one side to match cabinet door - available for Breeze and Drift finishes only
- FP9634 DT is shipped as two 48" wide x 34 1/2" high panels
- Field trimmable, can be notched for toe kick

WOOD	TEXTURED	A	B
WEP30	WEP30 DT	11 1/4"	30 1/8"
WEP42	WEP42 DT	11 1/4"	42 1/8"
WEP48	WEP48 DT	11 1/4"	48"
WEP1542	WEP1542 DT	14 1/4"	42 1/8"
BEP34	BEP34 DT	23 1/4"	34 1/2"
TEP84	TEP84 DT	23 1/4"	84"
TEP96	TEP96 DT	23 1/4"	96"
TEP120	TEP120 DT	23 1/4"	120"
FP4834	FP4834 DT	48"	34 1/2"
FP4896	FP4896 DT	48"	96"
FP9634	FP9634 DT	96"	34 1/2"
FP9648	-	96"	48"

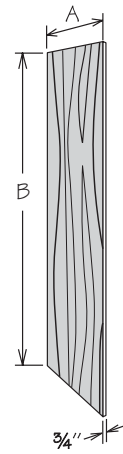
### Grooved Paneling



- Grooved every 1 1/2" on one side
- All door styles feature 3/8" plywood finished on one side to match cabinet box exterior - glazed finishes will be glazed
- Field trimmable, can be notched for toe kick
- FP9634 Grooved Paneling is shipped as two 48" wide x 34 1/2" high panels

	A	B
WEP30 GROOVED	11 1/4"	30 1/8"
WEP42 GROOVED	11 1/4"	42 1/8"
WEP48 GROOVED	11 1/4"	48"
WEP1542 GROOVED	14 1/4"	42 1/8"
BEP34 GROOVED	23 1/4"	34 1/2"
TEP84 GROOVED	23 1/4"	84"
TEP96 GROOVED	23 1/4"	96"
FP4834 GROOVED	48"	34 1/2"
FP4896 GROOVED	48"	96"
FP9634 GROOVED	96"	34 1/2"

### Wood End Panel



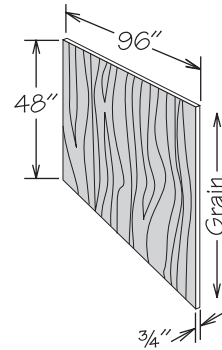
- Wood panels feature engineered wood finished on both sides to match cabinet box exterior for all door styles
  - » Edge banded on both long edges
- Textured panels feature textured-wrapped engineered wood finished on both sides to match cabinet door - available for Breeze and Drift finishes only
  - » WWEP\_DT are edge banded on all four edges
  - » WBEP\_DT and DWTEP\_DT are edge banded on both long edges
- Field trimmable, can be notched for toe kick

WOOD	A	B
WBEP	24"	34 1/2"
WTEP84	24"	84"
WTEP96	24"	96"
WTEP120	24"	120"
DWTEP84	32"	84"
DWTEP96	32"	96"

TEXTURED	A	B
WWEP1330 DT	13"	30 1/8"
WWEP1336 DT	13"	36 1/8"
WWEP1339 DT	13"	39 1/8"
WWEP1342 DT	13"	42 1/8"
WBEP2534 DT	25"	34 1/2"
DWTEP84 DT	32"	84"
DWTEP96 DT	32"	96"
DWTEP120 DT	32"	120"

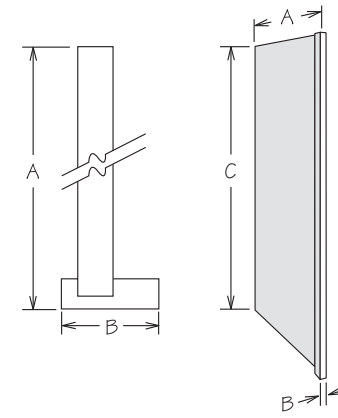
### 3/4" Panel



- Wood panels feature plywood finished on both sides to match cabinet box exterior for all door styles
- Textured panels feature textured-wrapped engineered wood finished on both sides to match cabinet door - available for Breeze and Drift finishes only
- WP9648 DT is shipped as two 48" wide x 48" high panels
- Edge banded on all edges
- Field trimmable, can be notched for toe kick

WOOD	TEXTURED
WP9648	WP9648 DT

### Refrigerator Return • 1/2" Panel

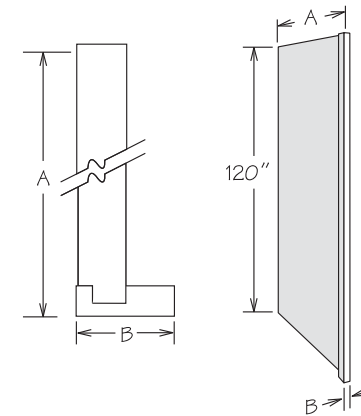


- Reversible for left or right installation
- Solid wood front
- 24" Deep Refrigerator Returns feature 1/2" engineered wood with outside finished to match cabinet exterior and inside with a natural woodgrain look
- 32" Deep Refrigerator Returns feature 1/2" plywood finished on outside to match cabinet exterior and interiors with a natural woodgrain look
- Front filler can be trimmed to a minimum of 1" wide
- Field trimmable in height, can be notched for toe kick

	A	B	C
RR84 ◆	24"	1 5/8"	84"
RR384 ◆	24"	3"	84"
RR96 ◆	24"	1 5/8"	96"
RR396 ◆	24"	3"	96"
RR84 X 32DP ■	32"	1 5/8"	84"
RR384 X 32DP ■	32"	3"	84"
RR96 X 32DP ■	32"	1 5/8"	96"
RR396 X 32DP ■	32"	3"	96"

APC ◆
FE
MI
PE
RD ■

### Refrigerator Return • 3/4" Panel

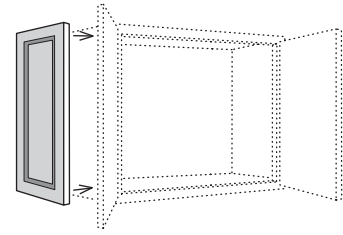


- Reversible for left or right installation
- Solid wood front
- 24" Deep Refrigerator Returns feature 3/4" engineered wood finished on both sides to match cabinet box exterior
- 32" Deep Refrigerator Returns feature 3/4" plywood finished on both sides to match cabinet box exterior
- Front filler can be trimmed to a minimum of 1" wide
- Field trimmable in height, can be notched for toe kick

	A	B
RR120FL ◆	24"	1 5/8"
RR3120FL ◆	24"	3"
RR120FL X 32DP ■	32"	1 5/8"
RR3120FL X 32DP ■	32"	3"

APC ◆
RD ■

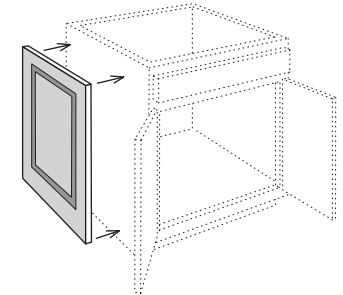
### Decorator Matching Doors • Wall Cabinets



- Furniture Ends Option (FE) or WEP30/WEP42 panel is recommended for installation
- Attaches to side of wall cabinet
- Matches style and finish of cabinet doors
- Panel thickness is ¾"
- Refer to Parts Directory for dimensions
- Not drilled for hinges

DMDW18  
DMDW24  
DMDW30  
DMDW36  
DMDW39  
DMDW42

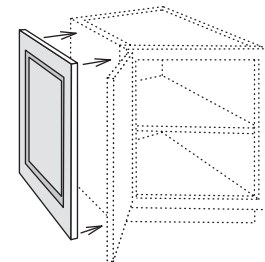
### Decorator Matching Doors • Base Cabinets



- Furniture Ends Option (FE) or BEP34 panel is recommended for installation
- Attaches to side of 24" deep base cabinet
- Matches style and finish of cabinet doors
- Panel thickness is ¾"
- Refer to Parts Directory for dimensions
- Not drilled for hinges

DMDB

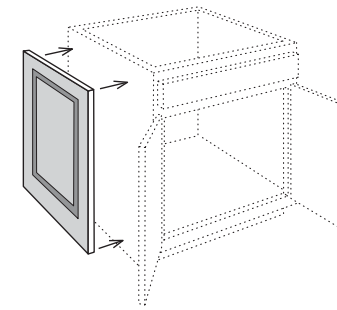
### Decorator Matching Doors • Base End Angle Cabinets



- Furniture Ends Option (FE) or WEP42 panel is recommended for installation
- Attaches to side of BEA12 or BS2434
- Matches style and finish of cabinet doors
- Panel thickness is ¾"
- Refer to Parts Directory for dimensions
- Not drilled for hinges

DMDBEA12

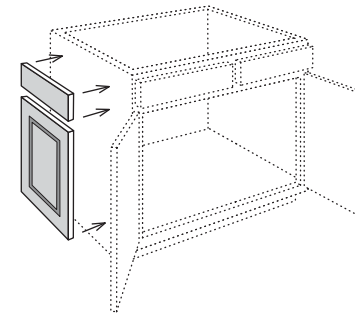
### Decorator Matching Doors • Desk Cabinets



- Furniture Ends Option (FE) or BEP34 panel is recommended for installation
- Attaches to side of 21" or 24" deep desk cabinet
- Matches style and finish of cabinet doors
- Panel thickness is ¾"
- Refer to Parts Directory for dimensions
- Not drilled for hinges

DMDD21  
DMDD24

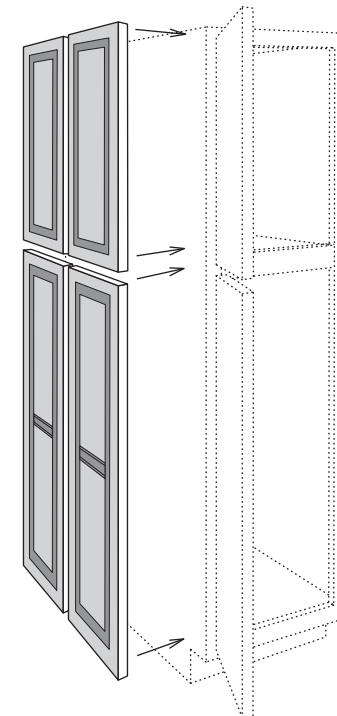
### Decorator Matching Doors • Vanity Cabinet



- Furniture Ends Option (FE) or BEP34 panel is recommended for installation
- Attaches to side of 20 ¾" deep x 31 ½" high vanity cabinet
  - » For 18" deep x 31 ½" high vanity cabinets order DR1821 ND and DDF18
  - » For 20 ¾" deep x 34 ½" high vanity cabinets order DR21FH ND (FOL) or DR2130 (POL)
  - » For 18" deep x 34 ½" high vanity cabinets order DR18FH ND (FOL) or DR1830 (POL)
- Matches style and finish of cabinet doors
- Panel thickness is ¾"
- Refer to Parts Directory for dimensions
- Not drilled for hinges

DMDV

### Decorator Matching Doors • Tall Cabinets



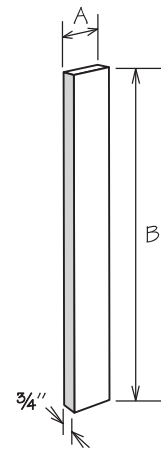
- Furniture Ends Option (FE) or TEP84/TEP96 panel is recommended for installation
- Attaches to side of utility or oven cabinet
- Matches style and finish of cabinet doors
- Panel thickness is ¾"
- 24" deep features four doors (as shown)
- 12" deep features two doors
- Bottom doors have a center rail for select door styles - refer to door style section
- Refer to Parts Directory for dimensions
- Not drilled for hinges

**12" DEEP**  
DMDT8412  
DMDT9012  
DMDT9312  
DMDT9612

**24" DEEP**  
DMDT8424  
DMDT9024  
DMDT9324  
DMDT9624

24" Deep Shown

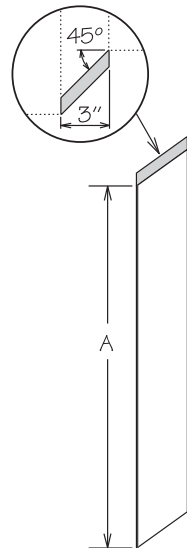
### Universal Filler



- Wood fillers:
  - » 3/4" solid wood
  - » UF1\_\_ and UF2\_\_ are finished on front, one long, and both short edges to match cabinet box exterior
  - » UF3\_\_ , UF6\_\_ , and S3S\_\_ are finished on front and all four edges to match cabinet box exterior
  - » S4S\_\_ are finished on front, back, and all four edges to match cabinet box exterior
- Textured fillers:
  - » 3/4" engineered wood textured-wrapped on front and all four edges to match cabinet door
  - » Available in Breeze and Drift finishes only
- Field trimmable

WOOD	A	B	TEXTURED	A	B
UF1	1"	30 1/2"	S3S396 DT	3"	96"
UF2	2"	30 1/2"	S3S696 DT	6"	96"
UF3	3"	30 1/2"			
UF6	6"	30 1/2"			
UF142	1"	42 1/8"			
UF242	2"	42 1/8"			
UF342	3"	42 1/8"			
UF642	6"	42 1/8"			
UF380	3"	80"			
UF680	6"	80"			
UF392	3"	92"			
UF692	6"	92"			
S3S396	3"	96"			
S3S696	6"	96"			
S4S396	3"	96"			
S4S696	6"	96"			
UF3120	3"	120"			

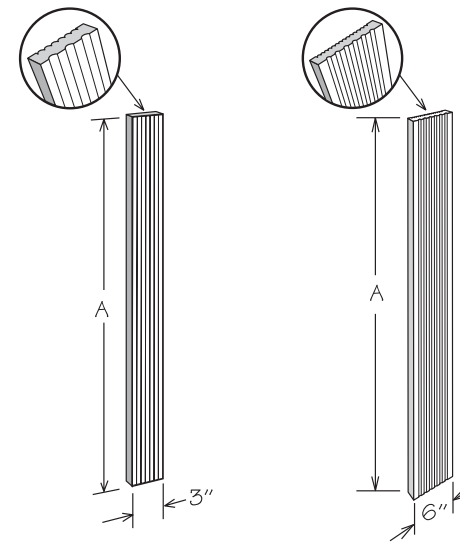
### Universal Filler Extension



- 3/4" solid wood
- Finished on front and all four edges to match cabinet box exterior
- Field trimmable

	A
UF E3	30 1/2"
UF E342	42 1/8"

### Fluted Beaded Filler • Reversible



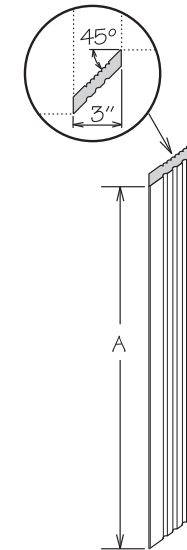
- Filler is fluted on one side and beaded on reverse side
- Finished on all sides to match cabinet box exterior - glazed finishes will be glazed
- 3/4" solid wood
- Apply decorative blocks for accent
- Field trimmable
- Ensure correct side is exposed when installed

3" WIDE	A
FBF3	30 1/2"
FBF342	42 1/8"
FBF384	84"
FBF396	96"

6" WIDE	A
FBF6	30 1/2"
FBF642	42 1/8"
FBF684	84"
FBF696	96"

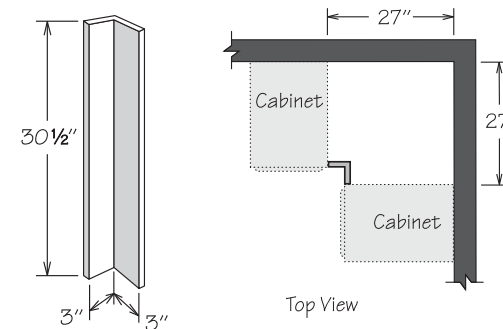
### Fluted Beaded Filler Extension • Reversible



- For wall or base application
- Filler is fluted on one side and beaded on reverse side
- Finished all sides to match cabinet box exterior - glazed finishes will be glazed
- 3/4" solid wood
- Apply 3" wide decorative blocks for accent
- Field trimmable
- Ensure correct side is exposed when installed

	A
FBF E3	30 1/2"
FBF E342	42 1/8"

### Base Corner Filler

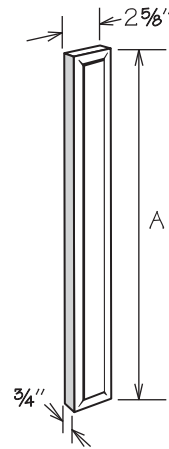


- 3/4" solid wood
- Finished on front and all four edges to match cabinet box exterior
- Field trimmable

BCF27
-------



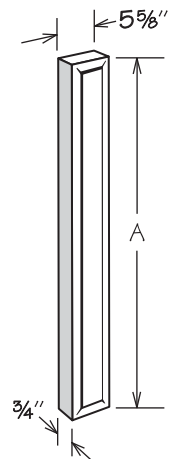
### 3" Overlay Filler



- For use with full overlay door styles only
- Outside profile matches outside profile of door – see next page for details
- Wood overlay fillers feature:
  - » Solid wood finished to match cabinet box exterior for Wood, Painted and Duraform Breeze and Drift door styles - glazed finishes will be glazed, excluding slab overlay profiles
  - » Duraform wrapped MDF for Duraform Espresso, Harbor, Linen and Stone door styles
- Textured overlay fillers feature textured wrapped engineered wood finished to match cabinet door - available for Breeze and Drift finishes only
- Finished on all edges
- Indicate door style when ordering
- Not field trimmable
- Must be mounted to a Universal Filler (order separately)

WOOD	TEXTURED	A
WOF312	WOF312 DT	11 7/16"
WOF315	WOF315 DT	14 7/16"
WOF318	WOF318 DT	17 7/16"
WOF321	WOF321 DT	20"
WOF324	WOF324 DT	23 7/16"
WOF327	WOF327 DT	26 1/2"
WOF330	WOF330 DT	29 1/2"
WOF336	WOF336 DT	35 1/2"
WOF339	WOF339 DT	38 1/2"
WOF342	WOF342 DT	41 1/2"
BOF3	BOF3 DT	29 7/8"
DOF3	DOF3 DT	23 7/8"
VOF3	VOF3 DT	26 1/2"
TOF384	TOF384 DT	79 3/8"
TOF390	TOF390 DT	85 3/8"
TOF393	TOF393 DT	88 3/8"
TOF396	TOF396 DT	91 3/8"

### 6" Overlay Filler



- WOF6\_ are available for full overlay Duraform door styles only
- BOF6\_ available for full overlay door styles only
- Outside profile matches outside profile of door – see next page for details
- Wood overlay fillers feature:
  - » Solid wood finished to match cabinet box exterior for Wood, Painted and Duraform Breeze and Drift door styles - glazed finishes will be glazed, excluding slab overlay profiles
  - » Duraform wrapped engineered wood for Duraform Espresso, Harbor, Linen and Stone door styles
- Textured overlay fillers feature textured wrapped engineered wood finished to match cabinet door - available for Breeze and Drift finishes only
- Finished on all edges
- Indicate door style when ordering
- Not field trimmable
- Must be mounted to a Universal Filler (order separately)

DURAFORM	WOOD	TEXTURED	A
BOF6	BOF6	BOF6 DT	29 7/8"
WOF630	—	—	29 1/2"
WOF636	—	—	35 1/2"
WOF639	—	—	38 1/2"
WOF642	—	—	41 1/2"

### Overlay Filler Profiles

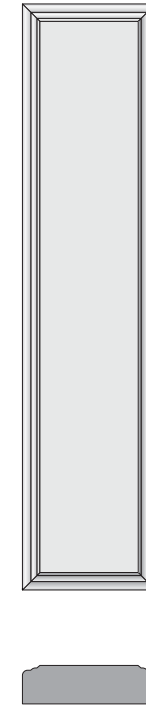
PROFILE FOR:

- Durango
- Elderidge



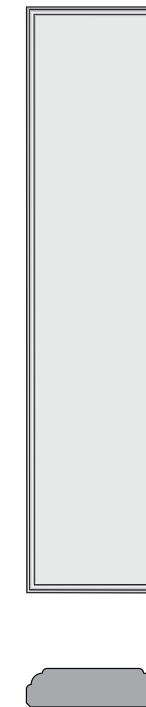
PROFILE FOR:

- Abilene



PROFILE FOR:

- Clayton

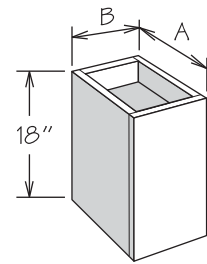


PROFILE FOR:

- Bandera
- Belcourt
- Canyon
- Cooper
- Denver
- Lubbock
- Oxridge



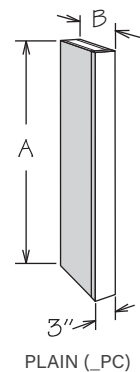
## Plain Box Filler



- Veneered engineered wood finished to match cabinet box exterior
- Features 1/4" reveal
- Trimmable in height to 14 1/8" tall
- Reversible for left or right installation
- Finished to match cabinet box exterior

	A	B
WPB91815	15"	9"
WPB121815	15"	12"
WPB91824	24"	9"
WPB121824	24"	12"

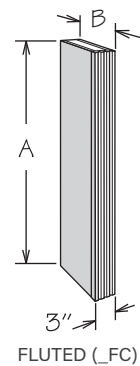
## Column Filler



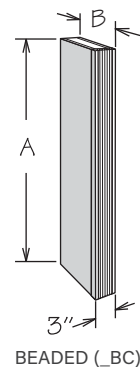
PLAIN (\_PC)

- Veneered engineered wood finished to match cabinet box exterior - glazed finishes will be glazed, excluding Plain Column Fillers
- 3" wide x 3/4" thick solid wood front
- Sides are flush with face
- Reversible for left or right installation
- Top and bottom edges of returns are edge banded
- Apply overlay filler or 3" wide decorative blocks for accent
- Field trimmable to any depth
- Field trimmable in height noted below:
  - » W\_C31530 field trimmable to 27 1/8", 24 1/2", 20 5/8" 18 1/8", 15 1/8", or 12 1/8"
  - » W\_C31542 field trimmable to 39 1/8" or 36 1/8"
  - » W\_C31560 field trimmable to 54" or 48"
  - » B\_C32734 field trimmable to 31 1/8" or 28 1/2"
  - » T\_C32796 field trimmable to 93" or 90"
  - » T\_C32784 not trimmable in height

PLAIN	A	B
<b>Wall</b>		
WPC31530	30 1/8"	15"
WPC31542	42 1/8"	15"
WPC31560	60"	15"
<b>Base</b>		
BPC32734	34 1/2"	27"
<b>Tall</b>		
TPC32784	84"	27"
TPC32796	96"	27"
<b>FLUTED</b>		
<b>Wall</b>		
WFC31530	30 1/8"	15"
WFC31542	42 1/8"	15"
WFC31560	60"	15"
<b>Base</b>		
BFC32734	34 1/2"	27"
<b>Tall</b>		
TFC32784	84"	27"
TFC32796	96"	27"
<b>BEADED</b>		
<b>Wall</b>		
WBC31530	30 1/8"	15"
WBC31542	42 1/8"	15"
WBC31560	60"	15"
<b>Base</b>		
BBC32734	34 1/2"	27"
<b>Tall</b>		
TBC32784	84"	27"
TBC32796	96"	27"

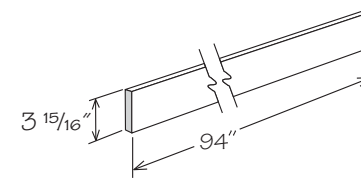


FLUTED (\_FC)



BEADED (\_BC)

## Base Toe Kick NEW! NOMENCLATURE

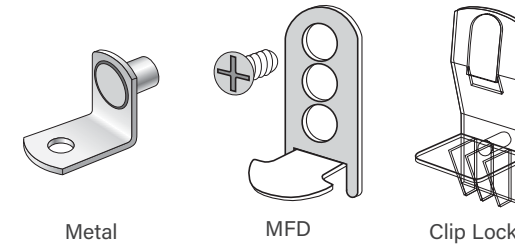


- Wood door styles feature 1/4" plywood, with vertical grain, finished on one side to match cabinet box exterior
- Duraform and Painted door styles feature 1/4" engineered wood finished on one side to match cabinet box exterior
- Textured toe kicks feature textured-wrapped 1/4" engineered wood finished on one side to match cabinet door - available for Breeze and Drift finishes only
- Putty Stick and Touch Up Marker are recommended for exposed ends
- Field trimmable

**WOOD**  
BTK8

**TEXTURED**  
BTK8 DT

## Shelf Rests



Metal

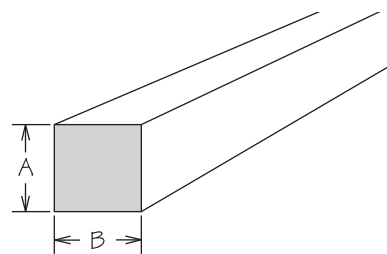
MFD

Clip Lock

- Metal and MFD shelf rests are nickel plated steel
- MFD shelf rests are six position adjustable for alignment of shelf with mullion
- Clip Lock shelf rests are molded clear high-strength polycarbonate

	QTY.
<b>Bookshelves &amp; Wall Shelves</b>	
SHELF REST METAL 4PK	4
SHELF REST METAL 12	12
<b>Mullion Frame Cabinet Shelves</b>	
SHELF REST MFD PK	8
<b>1/2" Base Shelves</b>	
CLIP LOCK SHELF 4 PK	4
<b>3/4" Base &amp; Tall Shelves</b>	
CLIP LOCK SHELF 3/4 4 PK	4

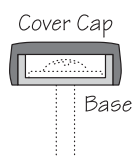
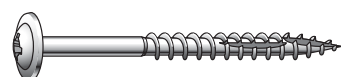
### Cleat



- HWC 1/2X1/2X94 and HWC 3/4X3/4X94 are shipped in two 47" long pieces
- Unfinished

	A	B	LENGTH
HWC 1/2X1/2X94	1/2"	1/2"	94"
HWC 3/4X3/4X94	3/4"	3/4"	94"
HWC 1X2X94	3/4"	1 1/2"	94"
HWC 2X4X96	1 1/2"	3 1/2"	96"

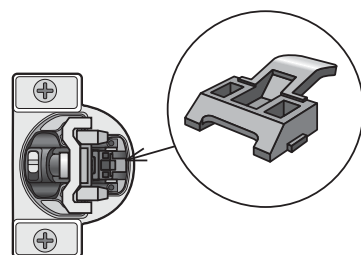
### Screws & Screw Cover Caps



- Installation screws are Phillips panhead 2 1/2" long
- COVER CAP \_\_\_ used to conceal head of installation screw
- COVER CAP 10MM \_\_\_ used to conceal predrilled holes in cabinet backs

	QTY.
SCREW INST 2.5 BX100	100
COVER CAP TAN	50
COVER CAP WHT	50
COVER CAP 10MM TAN 4	4
COVER CAP 10MM WHT 4	4

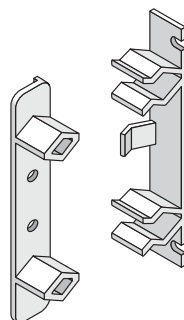
### Hinge Restriction Clip



- Limits door opening to 86° to avoid contact with adjacent objects
- For use on CushionClose hinges only
- Package includes 10 per bag (1 required per hinge)
- Cannot be used on cabinets with roll out accessories

HINGE CC ANG RES CLP

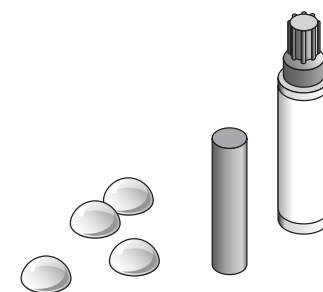
### Dummy Drawer Front Fastener



- For installation of one dummy drawer front
- Kit contents:
  - » Two sets of DDF Fasteners
  - » Eight screws
  - » One instruction sheet
- Please refer to cabinet specifications as some cabinets will require more than one kit

DDF FASTENER

### Touch Up Kit



- Kit for repairing minor dents, gouges, scratches, and surface imperfections includes:
  - » Putty Stick
  - » Touch Up Marker
  - » Door bumpers
- Instructions printed on bag

TOUCHUP KIT

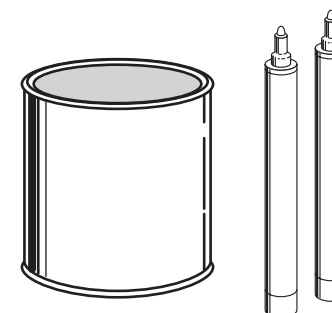
### Spray Stain



- SPRAY STAIN TINTED available for all finishes
- Stain for Duraform Breeze and Drift will match the cabinet box exterior
- SPRAY STAIN CLEAR for use as top coat for all door styles
- Indicate species and finish when ordering
- 11 ounce aerosol spray can

SPRAY STAIN CLEAR  
SPRAY STAIN TINTED

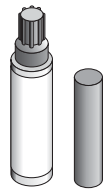
### Stain



- STAIN PINT (QUART) used for all non-glazed stains and non-glazed painted finishes
- STAIN GLAZED PINT (QUART) used for all glazed stains and glazed painted finishes
- STAIN TOP COAT strongly recommended for application over ALL finishes (order separately)
- STAIN GLAZED includes STAIN PINT and two STAIN GLAZED PENS per pint
- STAIN GLAZED PENS available for order separately (quantity of two)
- Indicate species and finish when ordering
- Stain for Duraform Breeze and Drift will match the cabinet box exterior
- PINT covers approximately 40 square feet
- QUART covers approximately 80 square feet
- Instructions included

STAIN PINT  
STAIN QUART  
STAIN GLAZED PINT  
STAIN GLAZED QUART  
STAIN GLAZED PENS  
STAIN TOP COAT PINT  
STAIN TOP COAT QUART

## Putty Stick & Marker

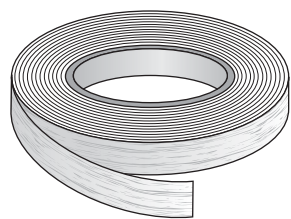


- Indicate species and finish when ordering
- Refer to chart to order correct QTY
- Putty Stick – for filling minor dents, gouges, and scratches made during or after installation
- Touch Up Marker – adds color to minor surface scratches

PUTTY STICK EXT QTY1	TU MARKER EXT QTY1
PUTTY STICK EXT QTY2	TU MARKER EXT QTY2
PUTTY STICK INTERIOR	TU MARKER INTERIOR
	TU MARKER DURAFORM

Finish Color	Putty Stick	TU Marker
Cherry Amber	PUTTY STICK EXT QTY1	TU MARKER EXT QTY1
Cherry Clove	PUTTY STICK EXT QTY1	TU MARKER EXT QTY1
Cherry Slate	PUTTY STICK EXT QTY1	TU MARKER EXT QTY1
Duraform Breeze	PUTTY STICK EXT QTY1	TU MARKER EXT QTY2
Duraform Drift	PUTTY STICK EXT QTY1	TU MARKER EXT QTY1
Duraform Espresso	PUTTY STICK EXT QTY1	TU MARKER DURAFORM
Duraform Harbor	PUTTY STICK EXT QTY1	TU MARKER DURAFORM
Duraform Linen	PUTTY STICK EXT QTY2	TU MARKER DURAFORM
Duraform Stone	PUTTY STICK EXT QTY1	TU MARKER DURAFORM
Maple Almond	PUTTY STICK EXT QTY1	TU MARKER EXT QTY1
Maple Cognac	PUTTY STICK EXT QTY1	TU MARKER EXT QTY1
Maple Latte	PUTTY STICK EXT QTY1	TU MARKER EXT QTY1
Maple Rye	PUTTY STICK EXT QTY1	TU MARKER EXT QTY1
Maple Slate	PUTTY STICK EXT QTY1	TU MARKER EXT QTY1
Maple Truffle	PUTTY STICK EXT QTY1	TU MARKER EXT QTY2
Painted Biscotti	PUTTY STICK EXT QTY1	TU MARKER EXT QTY2
Painted Black	PUTTY STICK EXT QTY1	TU MARKER EXT QTY1
Painted Boulder	PUTTY STICK EXT QTY1	TU MARKER EXT QTY1
Painted Ember	PUTTY STICK EXT QTY1	TU MARKER EXT QTY2
Painted Harbor	PUTTY STICK EXT QTY1	TU MARKER EXT QTY1
Painted Linen	PUTTY STICK EXT QTY2	TU MARKER EXT QTY2
Painted Mist	PUTTY STICK EXT QTY1	TU MARKER EXT QTY1
Painted Navy	PUTTY STICK EXT QTY1	TU MARKER EXT QTY1
Painted Pewter	PUTTY STICK EXT QTY2	TU MARKER EXT QTY2
Painted Sage	PUTTY STICK EXT QTY1	TU MARKER EXT QTY1
Painted Stone	PUTTY STICK EXT QTY1	TU MARKER EXT QTY1
Painted Vanilla	PUTTY STICK EXT QTY1	TU MARKER EXT QTY1
Interior	PUTTY STICK INTERIOR	TU MARKER INTERIOR

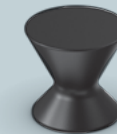
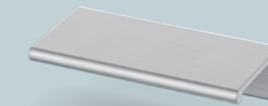
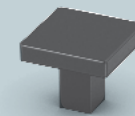
## Edge Banding • Textured



- Available for Breeze and Drift finishes only
- Tape is required for edge band installation
- Trimmable

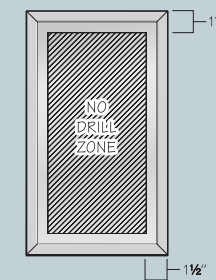
	HEIGHT	LENGTH
EDGE BAND 25 DT	7/8"	25'
EDGE BAND TAPE 50	1"	50'

# DECORATIVE HARDWARE



### DRILLING RESTRICTIONS AND NOTES

- 1951 Cabinetry does not recommend drilling through any door/drawer joint for installation of decorative hardware.
- Door and drawer fronts must be adjusted before installing decorative hardware.
- Belcourt door styles cannot be drilled more than 1 1/2" from all edges of doors and drawer fronts (excluding slab drawer fronts).



### RESTRICTION KEY

- NR12** Not recommended on regular 12" drawers
- NR15** Not recommended on regular drawers 15" or 12"
- NR18** Not recommended on regular drawers 18", 15" or 12"
- NR12LG** Not recommended on large 12" drawers
- NR15LG** Not recommended on large 15" or 12" drawers
- NR18LG** Not recommended on large 18", 15" or 12" drawers
- NR21LG** Not recommended on large 21", 18", 15" or 12" drawers
- NRKDC** Not recommended kneehole drawers
- NR** Not recommended for any size drawer

Some decorative hardware has restrictions for use on certain door styles which will be indicated with restriction-specific icons followed by the door style(s) that have the restriction. Restrictions may differ on regular and large drawer fronts based on center panel dimensions for each door style.

### HARDWARE RESTRICTION EXAMPLE

- NR12** Carson DFO, Canyon, Clayton DFO, Cooper DFO, Denver DFO,
- NR12LG** Canyon DFO, Carson DFO, Clayton DFO, Durango
- NR15LG** Elderidge

### EXPLANATION: This specific hardware is not recommended on:

- 12" regular drawer fronts for the Canyon DFO, Carson DFO, Clayton DFO, Cooper DFO and Denver DFO door styles
- 12" large drawer fronts for the Canyon DFO, Carson DFO, Clayton DFO and Durango door styles
- 15" or 12" large drawer fronts for the Elderidge door style

## Antic



**Antic Pull  
Polished Chrome**  
PULL 6797PC  
128mm Center  
Overall Length: 5 13/16"

**Antic Pull  
Satin Nickel**  
PULL 6797SN  
128mm Center  
Overall Length: 5 13/16"

**Antic Pull  
Vintage Nickel**  
PULL 6797VN  
128mm Center  
Overall Length: 5 13/16"

**Antic Pull  
Modern Brushed Gold**  
PULL 6797MG  
128mm Center  
Overall Length: 5 13/16"

**Antic Pull  
Matte Black**  
PULL 6797MB  
128mm Center  
Overall Length: 5 13/16"

NR	Belcourt DFO
NR12	Canyon DFO, Clayton DFO
NR12LG	Bandera DFO, Canyon DFO, Carson DFO, Clayton DFO, Durango, Elderidge, Oxridge DFO



**Antic Knob  
Polished Chrome**  
KNOB 6798PC

**Antic Knob  
Satin Nickel**  
KNOB 6798SN

**Antic Knob  
Vintage Nickel**  
KNOB 6798VN

**Antic Knob  
Modern Brushed Gold**  
KNOB 6798MG

**Antic Knob  
Matte Black**  
KNOB 6798MB

## Briolette



**Briolette Pull  
Polished Chrome**  
PULL 2272PC  
128mm Center  
Overall Length: 5 3/4"

**Briolette Pull  
Satin Nickel**  
PULL 2272SN  
128mm Center  
Overall Length: 5 3/4"

**Briolette Pull  
Modern Brushed Gold**  
PULL 2272MG  
128mm Center  
Overall Length: 5 3/4"

**Briolette Pull  
Brushed Copper**  
PULL 2272CP  
128mm Center  
Overall Length: 5 3/4"

**Briolette Pull  
Matte Black**  
PULL 2272MB  
128mm Center  
Overall Length: 5 3/4"

NR12	Canyon DFO, Clayton DFO
NR12LG	Bandera DFO, Canyon DFO, Carson DFO, Clayton DFO, Durango, Elderidge, Oxridge DFO



**Briolette Knob  
Polished Chrome**  
KNOB 2271PC

**Briolette Knob  
Satin Nickel**  
KNOB 2271SN

**Briolette Knob  
Modern Brushed Gold**  
KNOB 2271MG

**Briolette Knob  
Brushed Copper**  
KNOB 2271CP

**Briolette Knob  
Matte Black**  
KNOB 2271MB

## Radiant



**Radiant Pull  
Satin Nickel**  
PULL 0318SN  
128mm Center  
Overall Length: 5 3/4"

**Radiant Pull  
Weathered Nickel**  
PULL 0318WN  
128mm Center  
Overall Length: 5 3/4"

**Radiant Pull  
Modern Brushed Gold**  
PULL 0318MG  
128mm Center  
Overall Length: 5 3/4"

**Radiant Pull  
Verona Bronze**  
PULL 0318VB  
128mm Center  
Overall Length: 5 3/4"

**Radiant Pull  
Matte Black**  
PULL 0318MB  
128mm Center  
Overall Length: 5 3/4"

NR12	Canyon DFO, Clayton DFO
NR12LG	Bandera DFO, Canyon DFO, Carson DFO, Clayton DFO, Durango, Elderidge, Oxridge DFO



**Radiant Knob  
Satin Nickel**  
KNOB 0319SN

**Radiant Knob  
Weathered Nickel**  
KNOB 0319WN

**Radiant Knob  
Modern Brushed Gold**  
KNOB 0319MG

**Radiant Knob  
Verona Bronze**  
KNOB 0319VB

**Radiant Knob  
Matte Black**  
KNOB 0319MB

## Trillion



**Trillion Pull  
Polished Chrome**  
PULL 0875PC  
128mm Center  
Overall Length: 5 1/2"

**Trillion Pull  
Satin Nickel**  
PULL 0875SN  
128mm Center  
Overall Length: 5 1/2"

**Trillion Pull  
Vintage Nickel**  
PULL 0875VN  
128mm Center  
Overall Length: 5 1/2"

**Trillion Pull  
Modern Brushed Gold**  
PULL 0875MG  
128mm Center  
Overall Length: 5 1/2"

**Trillion Pull  
Matte Black**  
PULL 0875MB  
128mm Center  
Overall Length: 5 1/2"

NR12	Canyon DFO
NR12LG	Bandera DFO, Canyon DFO, Carson DFO



**Trillion Knob  
Polished Chrome**  
KNOB 0876PC

**Trillion Knob  
Satin Nickel**  
KNOB 0876SN

**Trillion Knob  
Vintage Nickel**  
KNOB 0876VN

**Trillion Knob  
Modern Brushed Gold**  
KNOB 0876MG

**Trillion Knob  
Matte Black**  
KNOB 0876MB

## Marquise



**Marquise Pull - 6 7/8"**  
**Polished Chrome**  
 PULL 4213PC  
 160mm Center  
 Overall Length: 6 7/8"

**Marquise Pull - 6 7/8"**  
**Satin Nickel**  
 PULL 4213SN  
 160mm Center  
 Overall Length: 6 7/8"

**Marquise Pull - 6 7/8"**  
**Modern Brushed Gold**  
 PULL 4213MG  
 160mm Center  
 Overall Length: 6 7/8"

**Marquise Pull - 6 7/8"**  
**Brushed Copper**  
 PULL 4213CP  
 160mm Center  
 Overall Length: 6 7/8"

**Marquise Pull - 6 7/8"**  
**Matte Black**  
 PULL 4213MB  
 160mm Center  
 Overall Length: 6 7/8"

**NR12** Bandera DFO, Canyon DFO, Carson DFO, Clayton DFO, Cooper DFO, Elderidge, Denver DFO

**NR12LG** Bandera DFO, Canyon DFO, Carson DFO, Clayton DFO, Cooper DFO, Denver DFO, Durango, Oxridge DFO

**NR15LG** Elderidge



**Marquise Pull - 5 9/16"**  
**Polished Chrome**  
 PULL 4212PC  
 128mm Center  
 Overall Length: 5 9/16"

**Marquise Pull - 5 9/16"**  
**Satin Nickel**  
 PULL 4212SN  
 128mm Center  
 Overall Length: 5 9/16"

**Marquise Pull - 5 9/16"**  
**Modern Brushed Gold**  
 PULL 4212MG  
 128mm Center  
 Overall Length: 5 9/16"

**Marquise Pull - 5 9/16"**  
**Brushed Copper**  
 PULL 4212CP  
 128mm Center  
 Overall Length: 5 9/16"

**Marquise Pull - 5 9/16"**  
**Matte Black**  
 PULL 4212MB  
 128mm Center  
 Overall Length: 5 9/16"

**NR12** Canyon DFO, Clayton DFO

**NR12LG** Bandera DFO, Canyon DFO, Carson DFO, Clayton DFO, Durango, Elderidge, Oxridge DFO

## Halo



**Halo Knob**  
**Polished Chrome**  
 KNOB 3106PC

**Halo Knob**  
**Satin Nickel**  
 KNOB 3106SN

**Halo Knob**  
**Modern Brushed Gold**  
 KNOB 3106MG

**Halo Knob**  
**Brushed Copper**  
 KNOB 3106CP

**Halo Knob**  
**Matte Black**  
 KNOB 3106MB

## Rectangular



**Rectangular Pull**  
**Polished Chrome**  
 PULL 3502PC  
 96mm Center  
 Overall Length: 4 13/16"

**Rectangular Pull**  
**Satin Nickel**  
 PULL 3502SN  
 96mm Center  
 Overall Length: 4 13/16"

**Rectangular Pull**  
**Vintage Nickel**  
 PULL 3502VN  
 96mm Center  
 Overall Length: 4 13/16"

**Rectangular Pull**  
**Modern Brushed Gold**  
 PULL 3502MG  
 96mm Center  
 Overall Length: 4 13/16"

**Rectangular Pull**  
**Matte Black**  
 PULL 3502MB  
 96mm Center  
 Overall Length: 4 13/16"

**NR12LG** Clayton DFO, Elderidge



**Rectangular Knob**  
**Polished Chrome**  
 KNOB 3503PC

**Rectangular Knob**  
**Satin Nickel**  
 KNOB 3503SN

**Rectangular Knob**  
**Vintage Nickel**  
 KNOB 3503VN

**Rectangular Knob**  
**Modern Brushed Gold**  
 KNOB 3503MG

**Rectangular Knob**  
**Matte Black**  
 KNOB 3503MB

## Beaded



**Beaded Pull**  
**Satin Nickel**  
 PULL 3562SN  
 96mm Center  
 Overall Length: 4 1/2"

**Beaded Pull**  
**Weathered Nickel**  
 PULL 3562WN  
 96mm Center  
 Overall Length: 4 1/2"

**Beaded Pull**  
**Modern Brushed Gold**  
 PULL 3562MG  
 96mm Center  
 Overall Length: 4 1/2"

**Beaded Pull**  
**Verona Bronze**  
 PULL 3562VB  
 96mm Center  
 Overall Length: 4 1/2"

**Beaded Pull**  
**Matte Black**  
 PULL 3562MB  
 96mm Center  
 Overall Length: 4 1/2"

**NR12LG** Elderidge

## Stamped



**Stamped Knob**  
**Satin Nickel**  
 KNOB 3563SN

**Stamped Knob**  
**Weathered Nickel**  
 KNOB 3563WN

**Stamped Knob**  
**Modern Brushed Gold**  
 KNOB 3563MG

**Stamped Knob**  
**Verona Bronze**  
 KNOB 3563VB

**Stamped Knob**  
**Matte Black**  
 KNOB 3563MB



## Bow



**Bow Pull - 7 13/16"**  
**Polished Chrome**  
 PULL 3129PC  
 5" Center  
 Overall Length: 7 13/16"

**Bow Pull - 7 13/16"**  
**Satin Nickel**  
 PULL 3129SN  
 5" Center  
 Overall Length: 7 13/16"

**Bow Pull - 7 13/16"**  
**Modern Brushed Gold**  
 PULL 3129MG  
 5" Center  
 Overall Length: 7 13/16"

**Bow Pull - 7 13/16"**  
**Brushed Copper**  
 PULL 3129CP  
 5" Center  
 Overall Length: 7 13/16"

**Bow Pull - 7 13/16"**  
**Matte Black**  
 PULL 3129MB  
 5" Center  
 Overall Length: 7 13/16"

**NR12** Bandera DFO, Canyon DFO, Carson DFO, Clayton DFO, Cooper DFO, Denver DFO, Durango, Elderidge, Oxridge DFO

**NR12LG** Bandera DFO, Canyon DFO, Carson DFO, Clayton DFO, Cooper DFO, Denver DFO, Durango, Oxridge DFO

**NR15LG** Elderidge



**Bow Pull - 6 3/16"**  
**Polished Chrome**  
 PULL 3128PC  
 96mm Center  
 Overall Length: 6 3/16"

**Bow Pull - 6 3/16"**  
**Satin Nickel**  
 PULL 3128SN  
 96mm Center  
 Overall Length: 6 3/16"

**Bow Pull - 6 3/16"**  
**Modern Brushed Gold**  
 PULL 3128MG  
 96mm Center  
 Overall Length: 6 3/16"

**Bow Pull - 6 3/16"**  
**Brushed Copper**  
 PULL 3128CP  
 96mm Center  
 Overall Length: 6 3/16"

**Bow Pull - 6 3/16"**  
**Matte Black**  
 PULL 3128MB  
 96mm Center  
 Overall Length: 6 3/16"

**NR12** Bandera DFO, Canyon DFO, Clayton DFO

**NR12LG** Bandera DFO, Canyon DFO, Carson DFO, Clayton DFO, Durango, Oxridge DFO

## Tempo



**Tempo Pull**  
**Polished Chrome**  
 PULL 0323PC  
 128mm Center  
 Overall Length: 5 7/16"

**Tempo Pull**  
**Satin Nickel**  
 PULL 0323SN  
 128mm Center  
 Overall Length: 5 7/16"

**Tempo Pull**  
**Modern Brushed Gold**  
 PULL 0323MG  
 128mm Center  
 Overall Length: 5 7/16"

**Tempo Pull**  
**Brushed Copper**  
 PULL 0323CP  
 128mm Center  
 Overall Length: 5 7/16"

**Tempo Pull**  
**Matte Black**  
 PULL 0323MB  
 128mm Center  
 Overall Length: 5 7/16"

**NR12** Canyon DFO

**NR12LG** Bandera DFO, Canyon DFO, Carson DFO, Elderidge



**Tempo Knob**  
**Polished Chrome**  
 KNOB 0322PC

**Tempo Knob**  
**Satin Nickel**  
 KNOB 0322SN

**Tempo Knob**  
**Modern Brushed Gold**  
 KNOB 0322MG

**Tempo Knob**  
**Brushed Copper**  
 KNOB 0322CP

**Tempo Knob**  
**Matte Black**  
 KNOB 0322MB

## Cup



**Cup Pull**  
**Satin Nickel**  
 PULL 3105SN  
 3" Center  
 Overall Length: 4 5/8"

**Cup Pull**  
**Weathered Nickel**  
 PULL 3105WN  
 3" Center  
 Overall Length: 4 5/8"

**Cup Pull**  
**Modern Brushed Gold**  
 PULL 3105MG  
 3" Center  
 Overall Length: 4 5/8"

**Cup Pull**  
**Verona Bronze**  
 PULL 3105VB  
 3" Center  
 Overall Length: 4 5/8"

**Cup Pull**  
**Matte Black**  
 PULL 3105MB  
 3" Center  
 Overall Length: 4 5/8"

**NR** Bandera DFO, Belcourt DFO, Clayton DFO, Elderidge

**NRKDC** Canyon DFO, Cooper DFO, Denver DFO

## Classic



**Classic Pull**  
**Satin Nickel**  
 PULL 3172SN  
 3" Center  
 Overall Length: 5 5/8"

**Classic Pull**  
**Verona Bronze**  
 PULL 3172VB  
 3" Center  
 Overall Length: 5 5/8"

**Classic Pull**  
**Matte Black**  
 PULL 3172MB  
 3" Center  
 Overall Length: 5 5/8"

**NR12LG** Bandera DFO, Elderidge



**Classic Knob**  
**Satin Nickel**  
 KNOB 3173SN

**Classic Knob**  
**Weathered Nickel**  
 KNOB 3173WN

**Classic Knob**  
**Modern Brushed Gold**  
 KNOB 3173MG

**Classic Knob**  
**Verona Bronze**  
 KNOB 3173VB

**Classic Knob**  
**Matte Black**  
 KNOB 3173MB

## Toggle



**Toggle Knob**  
**Satin Nickel**  
 KNOB 3239SN

**Toggle Knob**  
**Verona Bronze**  
 KNOB 3239VB

**Toggle Knob**  
**Matte Black**  
 KNOB 3239MB

## Twisted Crescent



**Twisted Crescent Pull**  
Satin Nickel  
PULL 3122SN  
96mm Center • Overall Length: 5 1/8"



**Twisted Crescent Pull**  
Verona Bronze  
PULL 3122VB  
96mm Center • Overall Length: 5 1/8"



**Twisted Crescent Pull**  
Matte Black  
PULL 3122MB  
96mm Center • Overall Length: 5 1/8"

NR12LG Bandera DFO, Elderidge

## Button



**Button Knob**  
Satin Nickel  
KNOB 3213SN



**Button Knob**  
Verona Bronze  
KNOB 3213VB



**Button Knob**  
Matte Black  
KNOB 3213MB

## Ringed



**Ringed Arch Pull**  
Satin Nickel  
PULL 3672SN  
3" Center • Overall Length: 5 1/2"



**Ringed Arch Pull**  
Verona Bronze  
PULL 3672VB  
3" Center • Overall Length: 5 1/2"



**Ringed Arch Pull**  
Matte Black  
PULL 3672MB  
3" Center • Overall Length: 5 1/2"

NR12 Canyon DFO

NR12LG Bandera DFO, Canyon DFO, Elderidge



**Ringed Knob**  
Satin Nickel  
KNOB 3673SN

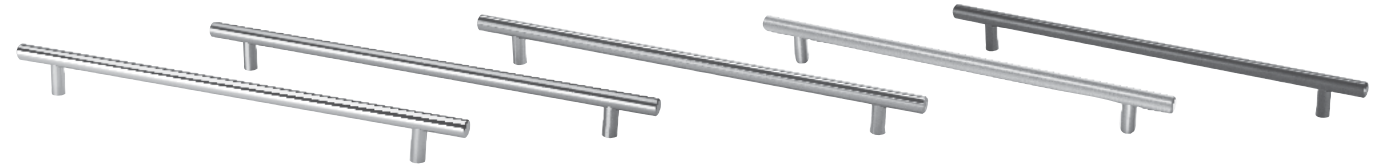


**Ringed Knob**  
Verona Bronze  
KNOB 3673VB



**Ringed Knob**  
Matte Black  
KNOB 3673MB

## T-Bar



**T-Bar Pull - 12 7/16"**  
Polished Chrome  
PULL 4730PC  
256mm Center  
Overall Length: 12 7/16"

**T-Bar Pull - 12 7/16"**  
Satin Nickel  
PULL 4730SN  
256mm Center  
Overall Length: 12 7/16"

**T-Bar Pull - 12 7/16"**  
Modern Brushed Gold  
PULL 4730MG  
256mm Center  
Overall Length: 12 7/16"

**T-Bar Pull - 12 7/16"**  
Brushed Copper  
PULL 4730CP  
256mm Center  
Overall Length: 12 7/16"

**T-Bar Pull - 12 7/16"**  
Matte Black  
PULL 4730MB  
256mm Center  
Overall Length: 12 7/16"

NR12 Any door style

NR15 Abilene DFO, Canyon DFO, Carson DFO, Clayton DFO, Cooper DFO, Denver DFO, Elderidge, Oxridge DFO

NR18 Bandera DFO

NR12LG Any door style

NR15LG Abilene DFO, Canyon DFO, Clayton DFO, Cooper DFO, Denver DFO, Durango, Oxridge DFO

NR18LG Bandera DFO, Carson DFO



**T-Bar Pull - 8 5/8"**  
Polished Chrome  
PULL 4712PC  
160mm Center  
Overall Length: 8 5/8"

**T-Bar Pull - 8 5/8"**  
Satin Nickel  
PULL 4712SN  
160mm Center  
Overall Length: 8 5/8"

**T-Bar Pull - 8 5/8"**  
Modern Brushed Gold  
PULL 4712MG  
160mm Center  
Overall Length: 8 5/8"

**T-Bar Pull - 8 5/8"**  
Brushed Copper  
PULL 4712CP  
160mm Center  
Overall Length: 8 5/8"

**T-Bar Pull - 8 5/8"**  
Matte Black  
PULL 4712MB  
160mm Center  
Overall Length: 8 5/8"

NR12 Abilene DFO, Bandera DFO, Carson DFO, Clayton DFO, Cooper DFO, Denver DFO, Elderidge, Oxridge DFO

NR15 Canyon DFO

NR12LG Abilene DFO, Bandera DFO, Cooper DFO, Clayton DFO, Denver DFO, Durango, Oxridge DFO

NR15LG Canyon DFO, Carson DFO, Elderidge



**T-Bar Pull - 5 5/16"**  
Polished Chrome  
PULL 4701PC  
3" Center  
Overall Length: 5 5/16"



**T-Bar Pull - 5 5/16"**  
Satin Nickel  
PULL 4701SN  
3" Center  
Overall Length: 5 5/16"



**T-Bar Pull - 5 5/16"**  
Modern Brushed Gold  
PULL 4701MG  
3" Center  
Overall Length: 5 5/16"



**T-Bar Pull - 5 5/16"**  
Brushed Copper  
PULL 4701CP  
3" Center  
Overall Length: 5 5/16"



**T-Bar Pull - 5 5/16"**  
Matte Black  
PULL 4701MB  
3" Center  
Overall Length: 5 5/16"

NR12LG Elderidge



**T-Bar Knob**  
Polished Chrome  
KNOB 4703PC



**T-Bar Knob**  
Satin Nickel  
KNOB 4703SN



**T-Bar Knob**  
Modern Brushed Gold  
KNOB 4703MG

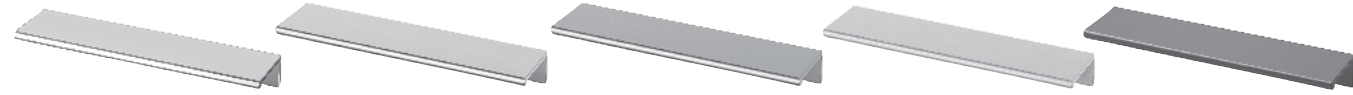


**T-Bar Knob**  
Brushed Copper  
KNOB 4703CP



**T-Bar Knob**  
Matte Black  
KNOB 4703MB

**Tab**



**Tab Pull - 6"**  
**Polished Chrome**  
 PULL 1060PC  
 Overall Length: 6"

**Tab Pull - 6"**  
**Satin Nickel**  
 PULL 1060SN  
 Overall Length: 6"

**Tab Pull - 6"**  
**Modern Brushed Gold**  
 PULL 1060MG  
 Overall Length: 6"

**Tab Pull - 6"**  
**Brushed Copper**  
 PULL 1060CP  
 Overall Length: 6"

**Tab Pull - 6"**  
**Matte Black**  
 PULL 1060MB  
 Overall Length: 6"



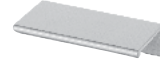
**Tab Pull - 3"**  
**Polished Chrome**  
 PULL 1055PC  
 Overall Length: 3"



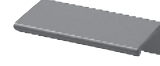
**Tab Pull - 3"**  
**Satin Nickel**  
 PULL 1055SN  
 Overall Length: 3"



**Tab Pull - 3"**  
**Modern Brushed Gold**  
 PULL 1055MG  
 Overall Length: 3"



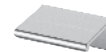
**Tab Pull - 3"**  
**Brushed Copper**  
 PULL 1055CP  
 Overall Length: 3"



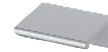
**Tab Pull - 3"**  
**Matte Black**  
 PULL 1055MB  
 Overall Length: 3"



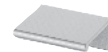
**Tab Pull - 1 1/4"**  
**Polished Chrome**  
 PULL 1050PC  
 Overall Length: 1 1/4"



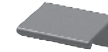
**Tab Pull - 1 1/4"**  
**Satin Nickel**  
 PULL 1050SN  
 Overall Length: 1 1/4"



**Tab Pull - 1 1/4"**  
**Modern Brushed Gold**  
 PULL 1050MG  
 Overall Length: 1 1/4"



**Tab Pull - 1 1/4"**  
**Brushed Copper**  
 PULL 1050CP  
 Overall Length: 1 1/4"



**Tab Pull - 1 1/4"**  
**Matte Black**  
 PULL 1050MB  
 Overall Length: 1 1/4"

**Coat Hooks**



**Polished Chrome**  
 HOOK PC  
 3 1/8" Deep • 4" High

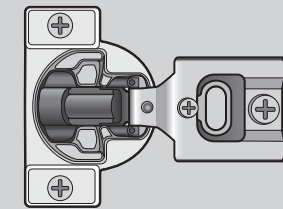
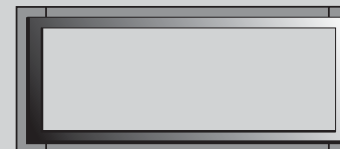
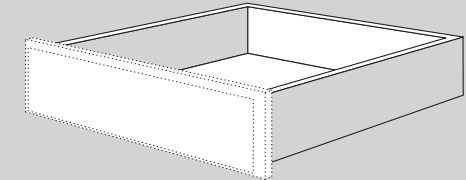
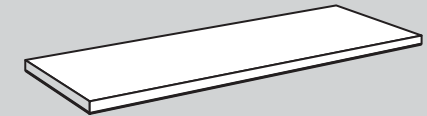


**Satin Nickel**  
 HOOK SN  
 3 1/8" Deep • 4" High



**Verona Bronze**  
 HOOK VB  
 3 1/8" Deep • 4" High

**PARTS DIRECTORY**



# Legend

DOOR NOMENCLATURE LEGEND		
Description:		Examples:
DR_	Door - must be ordered as hinged left, right or no drill	SKU: DR1230 Option: Left Hinge
DR_SD	Specialty Door - must be ordered as Mullion Frame or Open Frame and as hinged left, right, or no drill	SKU: DR1230 SD Option: OFD - Open Frame Door Option: Left Hinge
DR_FH	Full-Height Door - used for Full-Height Base, Full-Height Peninsula Base and Full-Height Vanity Base cabinets and must be ordered as hinged left, right, or no drill	SKU: DR15 FH Option: Left Hinge
DR_V	Standard Height Vanity Door - must be ordered as hinged left, right, or no drill	SKU: DR1821V Option: Right Hinge

DRAWER/PANEL FRONT NOMENCLATURE		
Description:		Examples:
DDF__	Drawer Front - used for Base, Desk, Oven or Vanity standard cabinet drawer	DDF12
DDF__D	Large Drawer Front - used for Partial Overlay Base, Desk, Oven or Vanity large cabinet drawer	DDF12D
DDF__M	Large Drawer Front - used for Full Overlay Base, Desk, Oven or Vanity large cabinet drawer	DDF12M
DDF__VD	Vanity Large Drawer Front - used for Full Overlay Vanity large cabinet drawer	DDF12VD
DDFOV__	Drawer Front for Full Overlay Oven cabinet	DDFOV33
DDFKDC__	Kneehole Drawer Front - used for Kneehole cabinet drawer	DDFKDC27/21

DRAWER BODY NOMENCLATURE		
Description:		Examples:
DRB__ DT FD	Upgraded Dovetail Drawer Box - for use with full-extension hidden glides	DRB12 X 21DP DT FD
DRB__ DT SG	Dovetail Drawer Box with side-mounted drawer glides	DRB12 X 18DP DT SG
DRB__ SG	Engineered Wood Drawer Box with side-mounted drawer glides	DRB12 X 18DP SG
DRB__ M DT FD	Large upgraded Dovetail Drawer Box - for use with full-extension hidden glides	DRB12M X 21DP DT FD
DRB__ M DT SG	Large Dovetail Drawer Box with side-mounted drawer glides	DRB12M X 18DP DT SG
DRB__ M SG	Large Engineered Wood Drawer Box with side-mounted drawer glides	DRB12M X 18DP SG

ADJUSTABLE SHELVING NOMENCLATURE		
Description:		Examples:
__" SHELF ¾	¾" Adjustable Shelf - used for standard construction Wall, Desk, Base cabinets with standard interior	12" SHELF ¾
__" SHELF MI	For standard construction Matching Interior ¾" Adjustable Shelf	12" SHELF MI
__" SHELF PLY	For All Plywood Construction ¾" Adjustable Shelf <b>NOTE:</b> All Base Cabinet shelves with the All Plywood Construction Option will default to 24" deep	12" SHELF PLY 12" SHELF 24DP PLY
__" SHELF MI PLY	For All Plywood Construction ¾" Matching Interior Adjustable Shelf	12" SHELF MI PLY
S __	¾" Adjustable Shelf - used for standard construction Utility, Oven or Vanity Linen cabinets with standard interior	S3024
	¾" Adjustable Shelf - used for Utility, Oven and Vanity Linen cabinets <b>NOTE:</b> For Matching Interior and/or All Plywood Construction, shelf needs to be upgraded using the MI and/or APC construction options	SKU: S3024 Option: MI - Matching Interior AND/OR Option: APC - All Plywood Construction
<b>Adjustable Shelving Notes:</b> Microwave Wall Cabinet replacement shelves feature Matching Interior standard		

# Contents

<b>WALL CABINETS</b>	
Standard Wall .....	214
Wall With Spice Rack .....	215
Blind Wall, Wall End Angle .....	216
Wall Top Hinge, Corner Wall, Refrigerator Wall .....	217
Appliance Garage .....	218
Microwave Wall, Compact Microwave Wall, Wall Range Hood, Wall Easy Reach .....	219
<b>BASE CABINETS</b>	
Standard Base, Base With Sliding Shelves, Base With Pot & Pan Organizer .....	220
Peninsula Base, Blind Corner, Base With Drawer Accessory .....	221
Base With Roll Out Tray Divider, Base With Wastebasket(s), Blind Peninsula Corner .....	223
Full-Height Base, Full-Height Base With Accessory, Full-Height Base With Sliding Shelves .....	224
Full-Height Base with Base Mixer Lift .....	224
Full-Height Blind Base, Full-Height Blind Base with Swing Out, Full-Height Blind Base with Pull Out .....	224
Full-Height Base With Wastebasket(s), Base End Angle, Full-Height Peninsula Base .....	225
Furniture Drawers, Pedestal Drawers .....	226
Two Drawer Bases .....	227
Three Drawer Bases, Three Drawer Base with Drawer Accessory .....	228
Four Drawer Bases, Four Drawer Base with Drawer Accessory .....	229
Base Microwave Cabinet, Base Spice Drawer Cabinet, Spice Drawer Cabinet .....	229
Corner Sink Base, Corner Sink Front, Deep Sink Base, Sink/Range Base and Front .....	230
Sink Base With Factory Installed Tilt-Out Tray(s) .....	230
Corner Bases, Base Plumbing Skirt, Adaptable Sink Base Kit .....	231
<b>TALL CABINETS</b>	
Utility With Adjustable Shelves .....	232
Utility With Sliding Shelves .....	234
Utility With Pantry Storage .....	235
Single Oven Cabinets .....	236
Double Oven Cabinets .....	240
Oven Microwave Cabinet .....	240
<b>VANITY CABINETS</b>	
31 1/8" Vanity Base, 31 1/8" Vanity Sink Base With Top Drawers, 18" Deep x 31 1/8" Vanity Combo Sink Base .....	241
31 1/8" Vanity Combo Sink Base .....	242
34 1/2" Vanity Base, Vanity Base With Factory Installed Wastebasket(s), 34 1/2" Vanity Sink Base With Top Drawers .....	242
18" Deep x 34 1/2" High Vanity Combo Sink Base, 34 1/2" Vanity Combo Sink Base .....	243
Vanity Linen, Medicine Cabinet, Tri-View Mirror, Valet Cabinet, Full-Height Vanity Base .....	244
31 1/8" Vanity Sink Base, Vanity Sink Front, Vanity Plumbing Skirt .....	245
Vanity Drawer Base .....	246
<b>DESK CABINETS</b>	
Desk Door .....	247
Kneehole Drawer Cabinet, Desk With Wastebasket(s), Desk Drawer Base, File Drawer Base .....	247
<b>DIMENSIONS</b>	
Doors .....	248
Decorator Doors .....	249
Shelves, Sliding Shelves, Base Pot & Pan Organizer, Roll Out Tray Divider .....	250
Drawer Fronts .....	251
Drawer Boxes .....	252
Glass Inserts .....	254
<b>MISCELLANEOUS PARTS &amp; ACCESSORIES</b> .....	256
<b>REPLACEMENT DRAWER REFERENCE SHEET</b> .....	259

SKU	Qty	DOOR	SPECIALTY DOOR	GLASS INSERT	Qty	ADJUSTABLE SHELF
		Part Name	Part Name	Part Name		*For All Plywood Construction and/or Matching Interior Adjustable Shelf, refer to Parts Directory Legend
						*Part Name
<b>STANDARD WALL - 42" HIGH</b>						
W942	1	DR942	N/A	N/A	3	9" SHELF 3/4
W1242	1	DR1242	DR1242 SD	DGI-1242	3	12" SHELF 3/4
W1542	1	DR1542	DR1542 SD	DGI-1542	3	15" SHELF 3/4
W1842	1	DR1842	DR1842 SD	DGI-1842	3	18" SHELF 3/4
W2142	1	DR2142	DR2142 SD	DGI-2142	3	21" SHELF 3/4
W2442 BUTT	2	DR1242 BUTT	DR1242 BUTT SD	DGI-1242 BUTT	3	24" SHELF 3/4
W2742 BUTT	2	DR1342 BUTT	DR1342 BUTT SD	DGI-1342 BUTT	3	27" SHELF 3/4
W3042 BUTT	2	DR1542 BUTT	DR1542 BUTT SD	DGI-1542 BUTT	3	30" SHELF 3/4
W3342 BUTT	2	DR1642 BUTT	DR1642 BUTT SD	DGI-1642 BUTT	3	33" SHELF 3/4
W3642 BUTT	2	DR1842 BUTT	DR1842 BUTT SD	DGI-1842 BUTT	3	36" SHELF 3/4
W3942	2	DR1942	DR1942 SD	DGI-1942	3	39" SHELF 3/4
W4242	2	DR2142	DR2142 SD	DGI-2142	3	42" SHELF 3/4
<b>STANDARD WALL - 39" HIGH</b>						
W939	1	DR939	N/A	N/A	3	9" SHELF 3/4
W1239	1	DR1239	DR1239 SD	DGI-1239	3	12" SHELF 3/4
W1539	1	DR1539	DR1539 SD	DGI-1539	3	15" SHELF 3/4
W1839	1	DR1839	DR1839 SD	DGI-1839	3	18" SHELF 3/4
W2139	1	DR2139	DR2139 SD	DGI-2139	3	21" SHELF 3/4
W2439 BUTT	2	DR1239 BUTT	DR1239 BUTT SD	DGI-1239 BUTT	3	24" SHELF 3/4
W2739 BUTT	2	DR1339 BUTT	DR1339 BUTT SD	DGI-1339 BUTT	3	27" SHELF 3/4
W3039 BUTT	2	DR1539 BUTT	DR1539 BUTT SD	DGI-1539 BUTT	3	30" SHELF 3/4
W3339 BUTT	2	DR1639 BUTT	DR1639 BUTT SD	DGI-1639 BUTT	3	33" SHELF 3/4
W3639 BUTT	2	DR1839 BUTT	DR1839 BUTT SD	DGI-1839 BUTT	3	36" SHELF 3/4
<b>STANDARD WALL - 36" HIGH</b>						
W936	1	DR936	N/A	N/A	2	9" SHELF 3/4
W1236	1	DR1236	DR1236 SD	DGI-1236	2	12" SHELF 3/4
W1536	1	DR1536	DR1536 SD	DGI-1536	2	15" SHELF 3/4
W1836	1	DR1836	DR1836 SD	DGI-1836	2	18" SHELF 3/4
W2136	1	DR2136	DR2136 SD	DGI-2136	2	21" SHELF 3/4
W2436 BUTT	2	DR1236 BUTT	DR1236 BUTT SD	DGI-1236 BUTT	2	24" SHELF 3/4
W2736 BUTT	2	DR1336 BUTT	DR1336 BUTT SD	DGI-1336 BUTT	2	27" SHELF 3/4
W3036 BUTT	2	DR1536 BUTT	DR1536 BUTT SD	DGI-1536 BUTT	2	30" SHELF 3/4
W3336 BUTT	2	DR1636 BUTT	DR1636 BUTT SD	DGI-1636 BUTT	2	33" SHELF 3/4
W3636 BUTT	2	DR1836 BUTT	DR1836 BUTT SD	DGI-1836 BUTT	2	36" SHELF 3/4
W3936	2	DR1936	DR1936 SD	DGI-1936	2	39" SHELF 3/4
W4236	2	DR2136	DR2136 SD	DGI-2136	2	42" SHELF 3/4
<b>STANDARD WALL - 30" HIGH</b>						
W930	1	DR930	N/A	N/A	2	9" SHELF 3/4
W1230	1	DR1230	DR1230 SD	DGI-1230	2	12" SHELF 3/4
W1530	1	DR1530	DR1530 SD	DGI-1530	2	15" SHELF 3/4
W1830	1	DR1830	DR1830 SD	DGI-1830	2	18" SHELF 3/4
W2130	1	DR2130	DR2130 SD	DGI-2130	2	21" SHELF 3/4
W2430	1	DR2430	N/A	N/A	2	24" SHELF 3/4
W2430 BUTT	2	DR1230 BUTT	DR1230 BUTT SD	DGI-1230 BUTT	2	24" SHELF 3/4
W2730 BUTT	2	DR1330 BUTT	DR1330 BUTT SD	DGI-1330 BUTT	2	27" SHELF 3/4
W3030 BUTT	2	DR1530 BUTT	DR1530 BUTT SD	DGI-1530 BUTT	2	30" SHELF 3/4
W3330 BUTT	2	DR1630 BUTT	DR1630 BUTT SD	DGI-1630 BUTT	2	33" SHELF 3/4
W3630 BUTT	2	DR1830 BUTT	DR1830 BUTT SD	DGI-1830 BUTT	2	36" SHELF 3/4
W3930	2	DR1930	DR1930 SD	DGI-1930	2	39" SHELF 3/4
W4230	2	DR2130	DR2130 SD	DGI-2130	2	42" SHELF 3/4
W4530	3	DR1530	DR1530 SD	DGI-1530	2	45" SHELF 3/4
W4830	2	DR2430	N/A	N/A	2	48" SHELF 3/4
<b>STANDARD WALL - 27" HIGH</b>						
W3027 BUTT	2	DR1527 BUTT	DR1527 BUTT SD	DGI-1527 BUTT	1	30" SHELF 3/4

SKU	Qty	DOOR	SPECIALTY DOOR	GLASS INSERT	Qty	ADJUSTABLE SHELF
		Part Name	Part Name	Part Name		*For All Plywood Construction and/or Matching Interior Adjustable Shelf, refer to Parts Directory Legend
						*Part Name
<b>STANDARD WALL - 24" HIGH</b>						
W1224	1	DR1224	DR1224 SD	DGI-1224	1	12" SHELF 3/4
W1524	1	DR1524	DR1524 SD	DGI-1524	1	15" SHELF 3/4
W1824	1	DR1824	DR1824 SD	DGI-1824	1	18" SHELF 3/4
W2124	1	DR2124	DR2124 SD	DGI-2124	1	21" SHELF 3/4
W2424 BUTT	2	DR1224 BUTT	DR1224 BUTT SD	DGI-1224 BUTT	1	24" SHELF 3/4
W2724 BUTT	2	DR1324 BUTT	DR1324 BUTT SD	DGI-1324 BUTT	1	27" SHELF 3/4
W3024 BUTT	2	DR1524 BUTT	DR1524 BUTT SD	DGI-1524 BUTT	1	30" SHELF 3/4
W3324 BUTT	2	DR1624 BUTT	DR1624 BUTT SD	DGI-1624 BUTT	1	33" SHELF 3/4
W3624 BUTT	2	DR1824 BUTT	DR1824 BUTT SD	DGI-1824 BUTT	1	36" SHELF 3/4
W3924	2	DR1924	DR1924 SD	DGI-1924	1	39" SHELF 3/4
W4224	2	DR2124	DR2124 SD	DGI-2124	1	42" SHELF 3/4
W4524	3	DR1524	DR1524 SD	DGI-1524	1	45" SHELF 3/4
<b>STANDARD WALL - 21" HIGH</b>						
W3021 BUTT	2	DR1521 BUTT	DR1521 BUTT SD	DGI-1521 BUTT	-	N/A
W3321 BUTT	2	DR1621 BUTT	DR1621 BUTT SD	DGI-1621 BUTT	-	N/A
W3621 BUTT	2	DR1821 BUTT	DR1821 BUTT SD	DGI-1821 BUTT	-	N/A
W3921	2	DR1921	DR1921 SD	DGI-1921	-	N/A
<b>STANDARD WALL - 18" HIGH</b>						
W1218	1	DR1218	DR1218 SD	DGI-1218	-	N/A
W1518	1	DR1518	DR1518 SD	DGI-1518	-	N/A
W1818	1	DR1818	DR1818 SD	DGI-1818	-	N/A
W2118	1	DR2118	DR2118 SD	DGI-2118	-	N/A
W2418 BUTT	2	DR1218 BUTT	DR1218 BUTT SD	DGI-1218 BUTT	-	N/A
W2718 BUTT	2	DR1318 BUTT	DR1318 BUTT SD	DGI-1318 BUTT	-	N/A
W3018 BUTT	2	DR1518 BUTT	DR1518 BUTT SD	DGI-1518 BUTT	-	N/A
W3318 BUTT	2	DR1618 BUTT	DR1618 BUTT SD	DGI-1618 BUTT	-	N/A
W3618 BUTT	2	DR1818 BUTT	DR1818 BUTT SD	DGI-1818 BUTT	-	N/A
W3918	2	DR1918	DR1918 SD	DGI-1918	-	N/A
W4218	2	DR2118	DR2118 SD	DGI-2118	-	N/A
<b>STANDARD WALL - 15" HIGH</b>						
W1215	1	DR1215	DR1215 SD	DGI-1215	-	N/A
W1515	1	DR1515	DR1515 SD	DGI-1515	-	N/A
W1815	1	DR1815	DR1815 SD	DGI-1815	-	N/A
W2115	1	DR2115	DR2115 SD	DGI-2115	-	N/A
W2415 BUTT	2	DR1215 BUTT	DR1215 BUTT SD	DGI-1215 BUTT	-	N/A
W2715 BUTT	2	DR1315 BUTT	DR1315 BUTT SD	DGI-1315 BUTT	-	N/A
W3015 BUTT	2	DR1515 BUTT	DR1515 BUTT SD	DGI-1515 BUTT	-	N/A
W3315 BUTT	2	DR1615 BUTT	DR1615 BUTT SD	DGI-1615 BUTT	-	N/A
W3615 BUTT	2	DR1815 BUTT	DR1815 BUTT SD	DGI-1815 BUTT	-	N/A
W3915	2	DR1915	DR1915 SD	DGI-1915	-	N/A
<b>STANDARD WALL - 12" HIGH</b>						
W1212	1	DR1212	DR1212 SD	DGI-1212	-	N/A
W1512	1	DR1512	DR1512 SD	DGI-1512	-	N/A
W1812	1	DR1812	DR1812 SD	DGI-1812	-	N/A
W2112	1	DR2112	DR2112 SD	DGI-2112	-	N/A
W2412 BUTT	2	DR1212 BUTT	DR1212 BUTT SD	DGI-1212 BUTT	-	N/A
W2712 BUTT	2	DR1312 BUTT	DR1312 BUTT SD	DGI-1312 BUTT	-	N/A
W3012 BUTT	2	DR1512 BUTT	DR1512 BUTT SD	DGI-1512 BUTT	-	N/A
W3312 BUTT	2	DR1612 BUTT	DR1612 BUTT SD	DGI-1612 BUTT	-	N/A
W3612 BUTT	2	DR1812 BUTT	DR1812 BUTT SD	DGI-1812 BUTT	-	N/A
W3912	2	DR1912	DR1912 SD	DGI-1912	-	N/A
<b>WITH SPICE RACK - 42" HIGH</b>						
W1542 SR	1	DR1542	N/A	N/A	3	15" SHELF 3/4
W1842 SR	1	DR1842	N/A	N/A	3	18" SHELF 3/4
W2142 SR	1	DR2142	N/A	N/A	3	21" SHELF 3/4



SKU	Qty	DOOR	SPECIALTY DOOR	GLASS INSERT	Qty	ADJUSTABLE SHELF
		Part Name	Part Name	Part Name		*For All Plywood Construction and/or Matching Interior Adjustable Shelf, refer to Parts Directory Legend
						*Part Name
<b>WITH SPICE RACK - 39" HIGH</b>						
W1539 SR	1	DR1539	N/A	N/A	3	15" SHELF 3/4
W1839 SR	1	DR1839	N/A	N/A	3	18" SHELF 3/4
W2139 SR	1	DR2139	N/A	N/A	3	21" SHELF 3/4
<b>WITH SPICE RACK - 36" HIGH</b>						
W1536 SR	1	DR1536	N/A	N/A	2	15" SHELF 3/4
W1836 SR	1	DR1836	N/A	N/A	2	18" SHELF 3/4
W2136 SR	1	DR2136	N/A	N/A	2	21" SHELF 3/4
<b>WITH SPICE RACK - 30" HIGH</b>						
W1530 SR	1	DR1530	N/A	N/A	2	15" SHELF 3/4
W1830 SR	1	DR1830	N/A	N/A	2	18" SHELF 3/4
W2130 SR	1	DR2130	N/A	N/A	2	21" SHELF 3/4
<b>BLIND WALL - 42" HIGH</b>						
BLW24/2742	1	DR1242	DR1242 SD	DGI-1242	3	24" SHELF 3/4
BLW30/3342	1	DR1842	DR1842 SD	DGI-1842	3	30" SHELF 3/4
BLW33/3642	1	DR2142	DR2142 SD	DGI-2142	3	33" SHELF 3/4
BLW36/3942 BUTT	2	DR1242 BUTT	DR1242 BUTT SD	DGI-1242 BUTT	3	36" SHELF 3/4
BLW39/4242 BUTT	2	DR1342 BUTT	DR1342 BUTT SD	DGI-1342 BUTT	3	39" SHELF 3/4
BLW42/4542 BUTT	2	DR1542 BUTT	DR1542 BUTT SD	DGI-1542 BUTT	3	42" SHELF 3/4
<b>BLIND WALL - 39" HIGH</b>						
BLW24/2739	1	DR1239	DR1239 SD	DGI-1239	3	24" SHELF 3/4
BLW30/3339	1	DR1839	DR1839 SD	DGI-1839	3	30" SHELF 3/4
BLW33/3639	1	DR2139	DR2139 SD	DGI-2139	3	33" SHELF 3/4
BLW36/3939 BUTT	2	DR1239 BUTT	DR1239 BUTT SD	DGI-1239 BUTT	3	36" SHELF 3/4
BLW39/4239 BUTT	2	DR1339 BUTT	DR1339 BUTT SD	DGI-1339 BUTT	3	39" SHELF 3/4
BLW42/4539 BUTT	2	DR1539 BUTT	DR1539 BUTT SD	DGI-1539 BUTT	3	42" SHELF 3/4
<b>BLIND WALL - 36" HIGH</b>						
BLW24/2736	1	DR1236	DR1236 SD	DGI-1236	2	24" SHELF 3/4
BLW30/3336	1	DR1836	DR1836 SD	DGI-1836	2	30" SHELF 3/4
BLW33/3636	1	DR2136	DR2136 SD	DGI-2136	2	33" SHELF 3/4
BLW36/3936 BUTT	2	DR1236 BUTT	DR1236 BUTT SD	DGI-1236 BUTT	2	36" SHELF 3/4
BLW39/4236 BUTT	2	DR1336 BUTT	DR1336 BUTT SD	DGI-1336 BUTT	2	39" SHELF 3/4
BLW42/4536 BUTT	2	DR1536 BUTT	DR1536 BUTT SD	DGI-1536 BUTT	2	42" SHELF 3/4
<b>BLIND WALL - 30" HIGH</b>						
BLW24/2730	1	DR1230	DR1230 SD	DGI-1230	2	24" SHELF 3/4
BLW27/3030	1	DR1530	DR1530 SD	DGI-1530	2	27" SHELF 3/4
BLW30/3330	1	DR1830	DR1830 SD	DGI-1830	2	30" SHELF 3/4
BLW33/3630	1	DR2130	DR2130 SD	DGI-2130	2	33" SHELF 3/4
BLW36/3930	1	DR2430	N/A	N/A	2	36" SHELF 3/4
BLW36/3930 BUTT	2	DR1230 BUTT	DR1230 BUTT SD	DGI-1230 BUTT	2	36" SHELF 3/4
BLW39/4230 BUTT	2	DR1330 BUTT	DR1330 BUTT SD	DGI-1330 BUTT	2	39" SHELF 3/4
BLW42/4530 BUTT	2	DR1530 BUTT	DR1530 BUTT SD	DGI-1530 BUTT	2	42" SHELF 3/4
BLW45/4830 BUTT	2	DR1630 BUTT	DR1630 BUTT SD	DGI-1630 BUTT	2	45" SHELF 3/4
BLW48/5130 BUTT	2	DR1830 BUTT	DR1830 BUTT SD	DGI-1830 BUTT	2	48" SHELF 3/4
<b>BLIND WALL - 24" HIGH</b>						
BLW24/2724	1	DR1224	DR1224 SD	DGI-1224	1	24" SHELF 3/4
BLW27/3024	1	DR1524	DR1524 SD	DGI-1524	1	27" SHELF 3/4
BLW30/3324	1	DR1824	DR1824 SD	DGI-1824	1	30" SHELF 3/4
BLW33/3624	1	DR2124	DR2124 SD	DGI-2124	1	33" SHELF 3/4
BLW36/3924 BUTT	2	DR1224 BUTT	DR1224 BUTT SD	DGI-1224 BUTT	1	36" SHELF 3/4
<b>WALL END ANGLE</b>						
WEA1242	1	DR1542	DR1542 SD	DGI-1542	3	WEA SHELF 3/4
WEA1239	1	DR1539	DR1539 SD	DGI-1539	3	WEA SHELF 3/4
WEA1236	1	DR1536	DR1536 SD	DGI-1536	2	WEA SHELF 3/4
WEA1230	1	DR1530	DR1530 SD	DGI-1530	2	WEA SHELF 3/4

SKU	Qty	DOOR	SPECIALTY DOOR	GLASS INSERT	Qty	ADJUSTABLE SHELF
		Part Name	Part Name	Part Name		*For All Plywood Construction and/or Matching Interior Adjustable Shelf, refer to Parts Directory Legend
						*Part Name
<b>WALL TOP HINGE - 12" HIGH</b>						
WTH4212	1	DR4212 WTH	DR4212 WTH SD	DGI-1242	-	N/A
<b>WALL TOP HINGE - 15" HIGH</b>						
WTH3015	1	DR3015 WTH	DR3015 WTH SD	DGI-1530	-	N/A
WTH3615	1	DR3615 WTH	DR3615 WTH SD	DGI-1536	-	N/A
<b>WALL TOP HINGE - 18" HIGH</b>						
WTH3018	1	DR3018 WTH	DR3018 WTH SD	DGI-1830	-	N/A
WTH3618	1	DR3618 WTH	DR3618 WTH SD	DGI-1836	-	N/A
<b>WALL TOP HINGE - 15" HIGH X 24" DEEP</b>						
WTH3015 X 24DP	1	DR3015 WTH	DR3015 WTH SD	DGI-1530	-	N/A
WTH3615 X 24DP	1	DR3615 WTH	DR3615 WTH SD	DGI-1536	-	N/A
<b>WALL TOP HINGE - 18" HIGH X 24" DEEP</b>						
WTH3018 X 24DP	1	DR3018 WTH	DR3018 WTH SD	DGI-1830	-	N/A
WTH3618 X 24DP	1	DR3618 WTH	DR3618 WTH SD	DGI-1836	-	N/A
<b>CORNER WALL CABINET WITH APPLIANCE GARAGE - 48" HIGH</b>						
CWD2448	1	DR1530 DR1518	DR1530 SD -	DGI-1530 -	2	CW SHELF ADJ 3/4
CWDS2448	1	DR1530 DR1518	DR1530 SD -	DGI-1530 -	2	CWS UNIT RAS
CWDS2448 WD	1	DR1530 DR1518	DR1530 SD -	DGI-1530 -	2	CWS24 SHELF WD NP
<b>CORNER WALL - 42" HIGH</b>						
CW2442	1	DR1542	DR1542 SD	DGI-1542	3	CW SHELF ADJ 3/4
CW2742	1	DR1542	DR1542 SD	DGI-1542	3	CW27 SHELF ADJ 3/4
CWS2442 WD	1	DR1542	DR1542 SD	DGI-1542	3	CWS24 SHELF WD NP
<b>CORNER WALL - 39" HIGH</b>						
CW2439	1	DR1539	DR1539 SD	DGI-1539	3	CW SHELF ADJ 3/4
CW2739	1	DR1539	DR1539 SD	DGI-1539	3	CW27 SHELF ADJ 3/4
CWS2439 WD	1	DR1539	DR1539 SD	DGI-1539	3	CWS24 SHELF WD NP
<b>CORNER WALL - 36" HIGH</b>						
CW2436	1	DR1536	DR1536 SD	DGI-1536	2	CW SHELF ADJ 3/4
CW2736	1	DR1536	DR1536 SD	DGI-1536	2	CW27 SHELF ADJ 3/4
CWS2436 WD	1	DR1536	DR1536 SD	DGI-1536	2	CWS24 SHELF WD NP
<b>CORNER WALL - 30" HIGH</b>						
CW2430	1	DR1530	DR1530 SD	DGI-1530	2	CW SHELF ADJ 3/4
CW2730	1	DR1530	DR1530 SD	DGI-1530	2	CW27 SHELF ADJ 3/4
CWS2430	1	DR1530	DR1530 SD	DGI-1530	1	CWS UNIT RAS
CWS2430 WD	1	DR1530	DR1530 SD	DGI-1530	2	CWS24 SHELF WD NP
<b>CORNER WALL - 24" HIGH</b>						
CW2424	1	DR1524	DR1524 SD	DGI-1524	-	N/A
CW2724	1	DR1524	DR1524 SD	DGI-1524	-	N/A
<b>CORNER WALL - 18" HIGH</b>						
CW2418	1	DR1518	DR1518 SD	DGI-1518	-	N/A
CW2718	1	DR1518	DR1518 SD	DGI-1518	-	N/A
<b>CORNER WALL - 15" HIGH</b>						
CW2415	1	DR1515	DR1515 SD	DGI-1515	-	N/A
CW2715	1	DR1515	DR1515 SD	DGI-1515	-	N/A
<b>CORNER WALL - 12" HIGH</b>						
CW2412	1	DR1512	DR1512 SD	DGI-1512	-	N/A
CW2712	1	DR1512	DR1512 SD	DGI-1512	-	N/A
<b>REFRIGERATOR WALL - 27" HIGH X 24" DEEP</b>						
W3027 X 24 DP BUTT	2	DR1527 BUTT	DR1527 BUTT SD	DGI-1527 BUTT	1	30" SHELF 3/4



SKU	Qty	DOOR	SPECIALTY DOOR	GLASS INSERT	Qty	ADJUSTABLE SHELF
						*For All Plywood Construction and/or Matching Interior Adjustable Shelf, refer to Parts Directory legend
		Part Name	Part Name	Part Name		*Part Name
<b>REFRIGERATOR WALL - 24" HIGH X 24" DEEP</b>						
W3024 X 24 DP BUTT	2	DR1524 BUTT	DR1524 BUTT SD	DGI-1524 BUTT	1	30" SHELF 3/4
W3324 X 24 DP BUTT	2	DR1624 BUTT	DR1624 BUTT SD	DGI-1624 BUTT	1	33" SHELF 3/4
W3624 X 24 DP BUTT	2	DR1824 BUTT	DR1824 BUTT SD	DGI-1824 BUTT	1	36" SHELF 3/4
W3724 X 24 DP BUTT	2	DR18.524 BUTT	DR18.524 BUTT SD	DGI-18.524 BUTT	1	37" SHELF 3/4
W3924 X 24 DP	2	DR1924	DR1924 SD	DGI-1924	1	39" SHELF 3/4
<b>REFRIGERATOR WALL - 21" HIGH X 24" DEEP</b>						
W3021 X 24 DP BUTT	2	DR1521 BUTT	DR1521 BUTT SD	DGI-1521 BUTT	-	N/A
W3321 X 24 DP BUTT	2	DR1621 BUTT	DR1621 BUTT SD	DGI-1621 BUTT	-	N/A
W3621 X 24 DP BUTT	2	DR1821 BUTT	DR1821 BUTT SD	DGI-1821 BUTT	-	N/A
W3721 X 24 DP BUTT	2	DR18.521 BUTT	DR18.521 BUTT SD	DGI-18.521 BUTT	-	N/A
W3921 X 24 DP BUTT	2	DR1921	DR1921 SD	DGI-1921	-	N/A
<b>REFRIGERATOR WALL - 18" HIGH X 24" DEEP</b>						
W3018 X 24 DP BUTT	2	DR1518 BUTT	DR1518 BUTT SD	DGI-1518 BUTT	-	N/A
W3318 X 24 DP BUTT	2	DR1618 BUTT	DR1618 BUTT SD	DGI-1618 BUTT	-	N/A
W3618 X 24 DP BUTT	2	DR1818 BUTT	DR1818 BUTT SD	DGI-1818 BUTT	-	N/A
W3718 X 24 DP BUTT	2	DR18.518 BUTT	DR18.518 BUTT SD	DGI-18.518 BUTT	-	N/A
W3918 X 24 DP	2	DR1918	DR1918 SD	DGI-1918	-	N/A
<b>REFRIGERATOR WALL - 15" HIGH X 24" DEEP</b>						
W3015 X 24 DP BUTT	2	DR1515 BUTT	DR1515 BUTT SD	DGI-1515 BUTT	-	N/A
W3315 X 24 DP BUTT	2	DR1615 BUTT	DR1615 BUTT SD	DGI-1615 BUTT	-	N/A
W3615 X 24 DP BUTT	2	DR1815 BUTT	DR1815 BUTT SD	DGI-1815 BUTT	-	N/A
W3715 X 24 DP BUTT	2	DR18.515 BUTT	DR18.515 BUTT SD	DGI-18.515 BUTT	-	N/A
W3915 X 24 DP	2	DR1915	DR1915 SD	DGI-1915	-	N/A
<b>REFRIGERATOR WALL - 12" HIGH X 24" DEEP</b>						
W3012 X 24 DP BUTT	2	DR1512 BUTT	DR1512 BUTT SD	DGI-1512 BUTT	-	N/A
W3312 X 24 DP BUTT	2	DR1612 BUTT	DR1612 BUTT SD	DGI-1621 BUTT	-	N/A
W3612 X 24 DP BUTT	2	DR1812 BUTT	DR1812 BUTT SD	DGI-1812 BUTT	-	N/A
W3712 X 24 DP BUTT	2	DR18.512 BUTT	DR18.512 BUTT SD	DGI-18.512 BUTT	-	N/A
W3912 X 24 DP	2	DR1912	DR1912 SD	DGI-1912	-	N/A
W4212 X 24 DP	2	DR2112	N/A	N/A	-	N/A
W4812 X 24 DP BUTT	4	DR1212 BUTT	N/A	N/A	-	N/A
<b>STRAIGHT APPLIANCE GARAGE</b>						
AGSD24	2	DR1218 BUTT	DR1218 BUTT SD	DGI-1218 BUTT	-	N/A
<b>CORNER APPLIANCE GARAGE</b>						
AGD2418	1	DR1518	DR1518 SD	DGI-1518	-	N/A
AGD2718	1	DR1518	DR1518 SD	DGI-1518	-	N/A

SKU	Qty	DOOR	Qty	ADJUSTABLE SHELF
				*For All Plywood Construction and/or Matching Interior Adjustable Shelf, refer to Parts Directory legend
		Part Name		*Part Name
<b>MICROWAVE WALL - 42" HIGH</b>				
WMC301842 BUTT	2	DR1521 BUTT	-	N/A
WMC302142 BUTT	2	DR1521 BUTT	-	N/A
<b>WALL MICROWAVE - 42" HIGH</b>				
WMSC271842 BUTT	2	DR1324 BUTT	1	WMSC2718 TOP SHELF
<b>WALL MICROWAVE - 39" HIGH</b>				
WMC271839 BUTT	2	DR1318 BUTT	-	N/A
WMC272139 BUTT	2	DR1318 BUTT	-	N/A
WMC301839 BUTT	2	DR1518 BUTT	-	N/A
WMC302139 BUTT	2	DR1518 BUTT	-	N/A
<b>WALL MICROWAVE - 36" HIGH</b>				
WMC271836 BUTT	2	DR1315 BUTT	-	N/A
WMC272136 BUTT	2	DR1315 BUTT	-	N/A
WMC301836 BUTT	2	DR1515 BUTT	-	N/A
WMC302136 BUTT	2	DR1515 BUTT	-	N/A
<b>WALL MICROWAVE - 36" HIGH</b>				
WMSC271236 BUTT	2	DR1315 BUTT	-	N/A
WMSC271836 BUTT	2	DR1315 BUTT	-	N/A
WMSC301236 BUTT	2	DR1515 BUTT	-	N/A
<b>COMPACT WALL MICROWAVE</b>				
WCMSC241236 BUTT	2	DR1218 BUTT	-	N/A
WCMSC271236 BUTT	2	DR1318 BUTT	-	N/A
<b>WALL RANGE HOOD - 30" HIGH</b>				
WRH3030 SV	2	DR1521 BUTT	-	N/A
WRH3630 SV	2	DR1821 BUTT	-	N/A
WRH3030 RP	2	DR1521 BUTT	-	N/A
WRH3630 RP	2	DR1821 BUTT	-	N/A
<b>WALL RANGE HOOD - 27" HIGH</b>				
WRH3027 SV	2	DR1518 BUTT	-	N/A
WRH3627 SV	2	DR1818 BUTT	-	N/A
WRH3027 RP	2	DR1518 BUTT	-	N/A
WRH3627 RP	2	DR1818 BUTT	-	N/A
<b>WALL RANGE HOOD - 24" HIGH</b>				
WRH3024 SV	2	DR1515 BUTT	-	N/A
WRH3624 SV	2	DR1815 BUTT	-	N/A
WRH3024 RP	2	DR1515 BUTT	-	N/A
WRH3624 RP	2	DR1815 BUTT	-	N/A
<b>WALL EASY REACH</b>				
WER2442	1 1	DR1242 WER DRILL DR1242 WER ND	3	WER SHELF 3/4
WER2439	1 1	DR1239 WER DRILL DR1239 WER ND	3	WER SHELF 3/4
WER2436	1 1	DR1236 WER DRILL DR1236 WER ND	2	WER SHELF 3/4
WER2430	1 1	DR1230 WER DRILL DR1230 WER ND	2	WER SHELF 3/4

SKU	Qty	DOOR	Qty	DRAWER FRONT	Qty	DRAWER BODY	Qty	SHELF / ACCESSORY
								*For All Plywood Construction Adjustable Shelf, refer to Parts Directory legend
						Part Name		*Part Name
<b>STANDARD BASE</b>								
B12	1	DR1224	1	DDF12	1	DRB12 X 21DP SG	1	12" SHELF 3/4
B15	1	DR1524	1	DDF15	1	DRB15 X 21DP SG	1	15" SHELF 3/4
B18	1	DR1824	1	DDF18	1	DRB18 X 21DP SG	1	18" SHELF 3/4
B21	1	DR2124	1	DDF21	1	DRB21 X 21DP SG	1	21" SHELF 3/4
B24	1	DR2424	1	DDF24	1	DRB24 X 21DP SG	1	24" SHELF 3/4
B24 BUTT	2	DR1224 BUTT	1	DDF24	1	DRB24 X 21DP SG	1	24" SHELF 3/4
B27 BUTT	2	DR1324 BUTT	1	DDF27	1	DRB27 X 21DP SG	1	27" SHELF 3/4
B30 BUTT	2	DR1524 BUTT	1	DDF30	1	DRB30 X 21DP SG	1	30" SHELF 3/4
B33 BUTT	2	DR1624 BUTT	1	DDF33	1	DRB33 X 21DP SG	1	33" SHELF 3/4
B36 1TD BUTT	2	DR1824 BUTT	1	DDF36	1	DRB36 X 21DP SG	1	36" SHELF 3/4
B39	2	DR1924	2	DDF19	2	DRB19 X 21DP SG	1	39" SHELF 3/4
B42	2	DR2124	2	DDF21	2	DRB21 X 21DP SG	1	42" SHELF 3/4
B45	3	DR1524	3	DDF15	3	DRB15 X 21DP SG	1	45" SHELF 3/4
B48	2	DR2424	2	DDF24	2	DRB24 X 21DP SG	1	48" SHELF 3/4
<b>BASE WITH ONE SLIDING SHELF</b>								
B12 SS1	1	DR1224	1	DDF12	1	DRB12 X 21DP SG	1	SSK12
B15 SS1	1	DR1524	1	DDF15	1	DRB15 X 21DP SG	1	SSK15
B18 SS1	1	DR1824	1	DDF18	1	DRB18 X 21DP SG	1	SSK18
B21 SS1	1	DR2124	1	DDF21	1	DRB21 X 21DP SG	1	SSK21
B24 SS1	1	DR2424	1	DDF24	1	DRB24 X 21DP SG	1	SSK24
B24 SS1 BUTT	2	DR1224 BUTT	1	DDF24	1	DRB24 X 21DP SG	1	SSK24
B27 SS1 BUTT	2	DR1324 BUTT	1	DDF27	1	DRB27 X 21DP SG	1	SSK27
B30 SS1 BUTT	2	DR1524 BUTT	1	DDF30	1	DRB30 X 21DP SG	1	SSK30
B33 SS1 BUTT	2	DR1624 BUTT	1	DDF33	1	DRB33 X 21DP SG	1	SSK33
B36 SS1 1TD BUTT	2	DR1824 BUTT	1	DDF36	1	DRB36 X 21DP SG	1	SSK36
<b>BASE WITH TWO HORIZONTAL SLIDING SHELVES</b>								
B39 SS1	2	DR1924	2	DDF19	2	DRB19 X 21DP SG	2	SSK19
B42 SS1	2	DR2124	2	DDF21	2	DRB21 X 21DP SG	2	SSK21
B48 SS1	2	DR2424	2	DDF24	2	DRB24 X 21DP SG	2	SSK24
<b>BASE WITH TWO VERTICAL SLIDING SHELVES</b>								
B12 SS2	1	DR1224	1	DDF12	1	DRB12 X 21DP SG	2	SSK12
B15 SS2	1	DR1524	1	DDF15	1	DRB15 X 21DP SG	2	SSK15
B18 SS2	1	DR1824	1	DDF18	1	DRB18 X 21DP SG	2	SSK18
B21 SS2	1	DR2124	1	DDF21	1	DRB21 X 21DP SG	2	SSK21
B24 SS2	1	DR2424	1	DDF24	1	DRB24 X 21DP SG	2	SSK24
B24 SS2 BUTT	2	DR1224 BUTT	1	DDF24	1	DRB24 X 21DP SG	2	SSK24
B27 SS2 BUTT	2	DR1324 BUTT	1	DDF27	1	DRB27 X 21DP SG	2	SSK27
B30 SS2 BUTT	2	DR1524 BUTT	1	DDF30	1	DRB30 X 21DP SG	2	SSK30
B33 SS2 BUTT	2	DR1624 BUTT	1	DDF33	1	DRB33 X 21DP SG	2	SSK33
B36 SS2 1TD BUTT	2	DR1824 BUTT	1	DDF36	1	DRB36 X 21DP SG	2	SSK36
<b>BASE WITH THREE HORIZONTAL SLIDING SHELVES</b>								
B45 SS1	3	DR1524	3	DDF15	3	DRB15 X 21DP SG	3	SSK15
<b>BASE WITH FOUR SLIDING SHELVES</b>								
B39 SS2	2	DR1924	2	DDF19	2	DRB19 X 21DP SG	4	SSK19
B42 SS2	2	DR2124	2	DDF21	2	DRB21 X 21DP SG	4	SSK21
B48 SS2	2	DR2424	2	DDF24	2	DRB24 X 21DP SG	4	SSK24
<b>BASE WITH SIX SLIDING SHELVES</b>								
B45 SS2	3	DR1524	3	DDF15	3	DRB15 X 21DP SG	6	SSK15
<b>BASE POT AND PAN ORGANIZER CABINET</b>								
B24 CCBPPO	1	DR2424	1	DDF24	1	DRB24 X 21DP SG	1	BPPOKCC24
B24 BUTT CCBPPO	2	DR1224 BUTT	1	DDF24	1	DRB24 X 21DP SG	1	BPPOKCC24
B27 BUTT CCBPPO	2	DR1324 BUTT	1	DDF27	1	DRB27 X 21DP SG	1	BPPOKCC27
B30 BUTT CCBPPO	2	DR1524 BUTT	1	DDF30	1	DRB30 X 21DP SG	1	BPPOKCC30
B33 BUTT CCBPPO	2	DR1624 BUTT	1	DDF33	1	DRB33 X 21DP SG	1	BPPOKCC33
B36 1TD BUTT CCBPPO	2	DR1824 BUTT	1	DDF36	1	DRB36 X 21DP SG	1	BPPOKCC36

SKU	Qty	DOOR	Qty	DRAWER FRONT	Qty	DRAWER BODY	Qty	SHELF / ACCESSORY
								*For All Plywood Construction Adjustable Shelf, refer to Parts Directory legend
						Part Name		*Part Name
<b>PENINSULA BASE</b>								
PB12	2	DR1224	2	DDF12	2	DRB12 X 21DP SG	1	12" SHELF PB 3/4
PB18	2	DR1824	2	DDF18	2	DRB18 X 21DP SG	1	18" SHELF PB 3/4
PB24	2	DR2424	2	DDF24	2	DRB24 X 21DP SG	1	24" SHELF PB 3/4
PB24 BUTT	4	DR1224 BUTT	2	DDF24	2	DRB24 X 21DP SG	1	24" SHELF PB 3/4
PB30 BUTT	4	DR1524 BUTT	2	DDF30	2	DRB30 X 21DP SG	1	30" SHELF PB 3/4
PB36 1TD BUTT	4	DR1824 BUTT	2	DDF36	2	DRB36 X 21DP SG	1	36" SHELF PB 3/4
PB42	4	DR2124	4	DDF21	4	DRB21 X 21DP SG	1	42" SHELF PB 3/4
<b>BLIND CORNER</b>								
BLB36/39	1	DR1224	1	DDF12	1	DRB12 X 21DP SG	1	27" SHELF 3/4
BLB39/42	1	DR1524	1	DDF15	1	DRB15 X 21DP SG	1	33" SHELF 3/4
BLB42/45	1	DR1824	1	DDF18	1	DRB18 X 21DP SG	1	39" SHELF 3/4
BLB45/48	1	DR2124	1	DDF21	1	DRB21 X 21DP SG	1	45" SHELF 3/4
BLB48/51	1	DR2124	1	DDF21	1	DRB21 X 21DP SG	1	48" SHELF 3/4
<b>STANDARD BASE WITH FACTORY INSTALLED CUTLERY DIVIDER</b>								
B15 CD	1	DR1524	1	DDF15	1	DRB15 X 21DP DT FD	1	15" SHELF 3/4 CDAK15
B18 CD	1	DR1824	1	DDF18	1	DRB18 X 21DP DT FD	1	18" SHELF 3/4 CDAK18
B21 CD	1	DR2124	1	DDF21	1	DRB21 X 21DP DT FD	1	21" SHELF 3/4 CDAK21
B24 CD	1	DR2424	1	DDF24	1	DRB24 X 21DP DT FD	1	24" SHELF 3/4 CDAK24
B24 BUTT CD	2	DR1224 BUTT	1	DDF24	1	DRB24 X 21DP DT FD	1	24" SHELF 3/4 CDAK24
B30 BUTT CD	2	DR1524 BUTT	1	DDF30	1	DRB30 X 21DP DT FD	1	30" SHELF 3/4 CDAK30
B36 1TD BUTT CD	2	DR1824 BUTT	1	DDF36	1	DRB36 X 21DP DT FD	1	36" SHELF 3/4 CDAK36
<b>STANDARD BASE WITH FACTORY INSTALLED SPICE DRAWER INSERT</b>								
B15 SDI	1	DR1524	1	DDF15	1	DRB15 X 21DP DT FD	1	15" SHELF 3/4 SDIAK15
B18 SDI	1	DR1824	1	DDF18	1	DRB18 X 21DP DT FD	1	18" SHELF 3/4 SDIAK18
B21 SDI	1	DR2124	1	DDF21	1	DRB21 X 21DP DT FD	1	21" SHELF 3/4 SDIAK21
B24 SDI	1	DR2424	1	DDF24	1	DRB24 X 21DP DT FD	1	24" SHELF 3/4 SDIAK24
B24 BUTT SDI	2	DR1224 BUTT	1	DDF24	1	DRB24 X 21DP DT FD	1	24" SHELF 3/4 SDIAK24
<b>STANDARD BASE WITH FACTORY INSTALLED WOOD TIERED CUTLERY DIVIDER</b>								
B15 WTCD	1	DR1524	1	DDF15	1	WTCDKFD15	1	15" SHELF 3/4
B18 WTCD	1	DR1824	1	DDF18	1	WTCDKFD18	1	18" SHELF 3/4
B21 WTCD	1	DR2124	1	DDF21	1	WTCDKFD21	1	21" SHELF 3/4
B24 WTCD	1	DR2424	1	DDF24	1	WTCDKFD24	1	24" SHELF 3/4
B24 BUTT WTCD	2	DR1224 BUTT	1	DDF24	1	WTCDKFD24	1	24" SHELF 3/4
B30 BUTT WTCD	2	DR1524 BUTT	1	DDF30	1	WTCDKFD30	1	30" SHELF 3/4
B36 1TD BUTT WTCD	2	DR1824 BUTT	1	DDF36	1	WTCDKFD36	1	36" SHELF 3/4

SKU	Qty	DOOR	Qty	DRAWER FRONT	Qty	DRAWER BODY	Qty	SHELF / ACCESSORY
								*For All Plywood Construction Adjustable Shelf, refer to Parts Directory legend
						Part Name		*Part Name
<b>BASE WITH ONE SLIDING SHELF AND FACTORY INSTALLED CUTLERY DIVIDER</b>								
B15 SS1 CD	1	DR1524	1	DDF15	1	DRB15 X 21DP DT FD	1	SSK15 CDAK15
B18 SS1 CD	1	DR1824	1	DDF18	1	DRB18 X 21DP DT FD	1	SSK18 CDAK18
B21 SS1 CD	1	DR2124	1	DDF21	1	DRB21 X 21DP DT FD	1	SSK21 CDAK21
B24 SS1 CD	1	DR2424	1	DDF24	1	DRB24 X 21DP DT FD	1	SSK24 CDAK24
B24 SS1 BUTT CD	2	DR1224 BUTT	1	DDF24	1	DRB24 X 21DP DT FD	1	SSK24 CDAK24
B30 SS1 BUTT CD	2	DR1524 BUTT	1	DDF30	1	DRB30 X 21DP DT FD	1	SSK30 CDAK30
B36 SS1 1TD BUTT CD	2	DR1824 BUTT	1	DDF36	1	DRB36 X 21DP DT FD	1	SSK36 CDAK36
<b>BASE WITH ONE SLIDING SHELF AND FACTORY INSTALLED SPICE DRAWER INSERT</b>								
B15 SS1 SDI	1	DR1524	1	DDF15	1	DRB15 X 21DP DT FD	1	SSK15 SDIAK15
B18 SS1 SDI	1	DR1824	1	DDF18	1	DRB18 X 21DP DT FD	1	SSK18 SDIAK18
B21 SS1 SDI	1	DR2124	1	DDF21	1	DRB21 X 21DP DT FD	1	SSK21 SDIAK21
B24 SS1 SDI	1	DR2424	1	DDF24	1	DRB24 X 21DP DT FD	1	SSK24 SDIAK24
B24 SS1 BUTT SDI	2	DR1224 BUTT	1	DDF24	1	DRB24 X 21DP DT FD	1	SSK24 SDIAK24
<b>BASE WITH ONE SLIDING SHELF AND FACTORY INSTALLED WOOD TIERED CUTLERY DIVIDER</b>								
B15 SS1 WTCD	1	DR1524	1	DDF15	1	WTCDKFD15	1	SSK15
B18 SS1 WTCD	1	DR1824	1	DDF18	1	WTCDKFD18	1	SSK18
B21 SS1 WTCD	1	DR2124	1	DDF21	1	WTCDKFD21	1	SSK21
B24 SS1 WTCD	1	DR2424	1	DDF24	1	WTCDKFD24	1	SSK24
B24 SS1 BUTT WTCD	2	DR1224 BUTT	1	DDF24	1	WTCDKFD24	1	SSK24
B30 SS1 BUTT WTCD	2	DR1524 BUTT	1	DDF30	1	WTCDKFD30	1	SSK30
B36 1TD SS1 BUTT WTCD	2	DR1824 BUTT	1	DDF36	1	WTCDKFD36	1	SSK36
<b>BASE WITH TWO SLIDING SHELVES AND FACTORY INSTALLED CUTLERY DIVIDER</b>								
B15 SS2 CD	1	DR1524	1	DDF15	1	DRB15 X 21DP DT FD	2	SSK15 CDAK15
B18 SS2 CD	1	DR1824	1	DDF18	1	DRB18 X 21DP DT FD	2	SSK18 CDAK18
B21 SS2 CD	1	DR2124	1	DDF21	1	DRB21 X 21DP DT FD	2	SSK21 CDAK21
B24 SS2 CD	1	DR2424	1	DDF24	1	DRB24 X 21DP DT FD	2	SSK24 CDAK24
B24 SS2 BUTT CD	2	DR1224 BUTT	1	DDF24	1	DRB24 X 21DP DT FD	2	SSK24 CDAK24
B30 SS2 BUTT CD	2	DR1524 BUTT	1	DDF30	1	DRB30 X 21DP DT FD	2	SSK30 CDAK30
B36 1TD SS2 BUTT CD	2	DR1824 BUTT	1	DDF36	1	DRB36 X 21DP DT FD	2	SSK36 CDAK36

SKU	Qty	DOOR	Qty	DRAWER FRONT	Qty	DRAWER BODY	Qty	SHELF / ACCESSORY
								*For All Plywood Construction Adjustable Shelf, refer to Parts Directory legend
						Part Name		*Part Name
<b>BASE WITH TWO SLIDING SHELVES AND FACTORY INSTALLED SPICE DRAWER INSERT</b>								
B15 SS2 SDI	1	DR1524	1	DDF15	1	DRB15 X 21DP DT FD	2	SSK15 SDIAK15
B18 SS2 SDI	1	DR1824	1	DDF18	1	DRB18 X 21DP DT FD	2	SSK18 SDIAK18
B21 SS2 SDI	1	DR2124	1	DDF21	1	DRB21 X 21DP DT FD	2	SSK21 SDIAK21
B24 SS2 SDI	1	DR2424	1	DDF24	1	DRB24 X 21DP DT FD	2	SSK24 SDIAK24
B24 SS2 BUTT SDI	2	DR1224 BUTT	1	DDF24	1	DRB24 X 21DP DT FD	2	SSK24 SDIAK24
<b>BASE WITH TWO SLIDING SHELVES AND FACTORY INSTALLED WOOD TIERED CUTLERY DIVIDER</b>								
B15 SS2 WTCD	1	DR1524	1	DDF15	1	WTCDKFD15	2	SSK15
B18 SS2 WTCD	1	DR1824	1	DDF18	1	WTCDKFD18	2	SSK18
B21 SS2 WTCD	1	DR2124	1	DDF21	1	WTCDKFD21	2	SSK21
B24 SS2 WTCD	1	DR2424	1	DDF24	1	WTCDKFD24	2	SSK24
B24 SS2 BUTT WTCD	2	DR1224 BUTT	1	DDF24	1	WTCDKFD24	2	SSK24
B30 SS2 BUTT WTCD	2	DR1524 BUTT	1	DDF30	1	WTCDKFD30	2	SSK30
B36 SS2 BUTT WTCD	2	DR1824 BUTT	1	DDF36	1	WTCDKFD36	2	SSK36
<b>BASE WITH ROLL OUT TRAY DIVIDER</b>								
B12 CCR0TD	1	DR1224	1	DDF12	1	DRB12 X 21DP SG	1	ROTDKCC12
B15 CCR0TD	1	DR1524	1	DDF15	1	DRB15 X 21DP SG	1	ROTDKCC15
<b>BASE WITH BOTTOM MOUNT WASTEBASKET(S)</b>								
BWBB15	1	DR1524 ND	1	DDF15	1	DRB15 X 21DP SG	1	BWBB15_OL KIT
BWBB15-2	1	DR1524 ND	1	DDF15	1	DRB15 X 21DP SG	1	BWBB15-2_OL KIT
BWBB18-2	1	DR1824 ND	1	DDF18	1	DRB18 X 21DP SG	1	BWBB18-2_OL KIT
BWBB21-2	1	DR2124 ND	1	DDF21	1	DRB21 X 21DP SG	1	BWBB21-2_OL KIT
<b>BLIND PENINSULA CORNER</b>								
PBC24	1	DR2424	1	DDF24	1	DRB24 X 21DP SG	1	24" SHELF PB 3/4
PBC24 BUTT	2	DR1224 BUTT	1	DDF24	1	DRB24 X 21DP SG	1	24" SHELF PB 3/4

SKU	Qty	DOOR		Qty	ADJUSTABLE SHELF/ACCESSORY
		Full Overlay	Partial Overlay		*For All Plywood Construction Adjustable Shelf, refer to Parts Directory legend
		Part Name	Part Name		*Part Name
<b>FULL HEIGHT BASE</b>					
TB9	1	DR9FH	DR930	-	N/A
B12 FH	1	DR12FH	DR1230	1	12" SHELF 3/4
B15 FH	1	DR15FH	DR1530	1	15" SHELF 3/4
B18 FH	1	DR18FH	DR1830	1	18" SHELF 3/4
B21 FH	1	DR21FH	DR2130	1	21" SHELF 3/4
B24 FH	1	DR24FH	DR2430	1	24" SHELF 3/4
B24 BUTT FH	2	DR12BUTT FH	DR1230 BUTT	1	24" SHELF 3/4
B27 BUTT FH	2	DR13BUTT FH	DR1330 BUTT	1	27" SHELF 3/4
B30 BUTT FH	2	DR15BUTT FH	DR1530 BUTT	1	30" SHELF 3/4
B33 BUTT FH	2	DR16BUTT FH	DR1630 BUTT	1	33" SHELF 3/4
B36 BUTT FH	2	DR18BUTT FH	DR1830 BUTT	1	36" SHELF 3/4
<b>FULL HEIGHT BASE WITH ACCESSORY</b>					
TB9 TDS	1	DR9FH	DR930	1	9" SHELF 24 DP 3/4
BTDP9	1	DR9FH ND	DR930 ND	1	BTDP9 KIT CC
BPP9	1	DR9FH ND	DR930 ND	1	BPP9 KIT CC
BPP12	1	DR12 FH ND	DR1230 ND	1	BPP12 KIT CC
BPPUS9	1	DR9FH ND	DR930 ND	1	BPPUS9 KIT CC
BPPUS12	1	DR12FH ND	DR1230 ND	1	BPPUS12 KIT CC
<b>FULL HEIGHT BASE WITH TWO SLIDING SHELVES</b>					
B12 FH SS2	1	DR12FH	DR1230	2	SSK12
B15 FH SS2	1	DR15FH	DR1530	2	SSK15
B18 FH SS2	1	DR18FH	DR1830	2	SSK18
B21 FH SS2	1	DR21FH	DR2130	2	SSK21
B24 FH SS2	1	DR24FH	DR2430	2	SSK24
B24 BUTT FH SS2	2	DR12BUTT FH	DR1230 BUTT	2	SSK24
B27 BUTT FH SS2	2	DR13BUTT FH	DR1330 BUTT	2	SSK27
B30 BUTT FH SS2	2	DR15BUTT FH	DR1530 BUTT	2	SSK30
B33 BUTT FH SS2	2	DR16BUTT FH	DR1630 BUTT	2	SSK33
B36 BUTT FH SS2	2	DR18BUTT FH	DR1830 BUTT	2	SSK36
<b>FULL HEIGHT BASE WITH FOUR SLIDING SHELVES</b>					
B12 FH SS4	1	DR12FH	DR1230	4	SSK12
B15 FH SS4	1	DR15FH	DR1530	4	SSK15
B18 FH SS4	1	DR18FH	DR1830	4	SSK18
B21 FH SS4	1	DR21FH	DR2130	4	SSK21
B24 FH SS4	1	DR24FH	DR2430	4	SSK24
B24 BUTT FH SS4	2	DR12BUTT FH	DR1230 BUTT	4	SSK24
B27 BUTT FH SS4	2	DR13BUTT FH	DR1330 BUTT	4	SSK27
B30 BUTT FH SS4	2	DR15BUTT FH	DR1530 BUTT	4	SSK30
B33 BUTT FH SS4	2	DR16BUTT FH	DR1630 BUTT	4	SSK33
B36 BUTT FH SS4	2	DR18BUTT FH	DR1830 BUTT	4	SSK36
<b>FULL-HEIGHT BASE MIXER LIFT</b>					
B18 FH MLK	1	DR21FH	DR2130	1	BMLK18
<b>FULL-HEIGHT BLIND BASE</b>					
BLB36/39 FH	1	DR12FH	DR1230	1	27" SHELF 3/4
BLB39/42 FH	1	DR15FH	DR1530	1	33" SHELF 3/4
BLB42/45 FH	1	DR18FH	DR1830	1	39" SHELF 3/4
BLB45/48 FH	1	DR21FH	DR2130	1	45" SHELF 3/4
BLB48/51 FH	1	DR21FH	DR2130	1	48" SHELF 3/4
<b>FULL-HEIGHT BLIND BASE - PULL OUT KIT</b>					
BLB45/48 FH POK	1	DR21FH	DR2130	1	BLBPOK45
BLB48/51 FH POK	1	DR21FH	DR2130	1	BLBPOK45
<b>FULL-HEIGHT BLIND BASE - SWING OUT KIT</b>					
BLB45/48 FH SOKL	1	DR21FH	DR2130	1	BLBSOK45L
BLB45/48 FH SOKR	1	DR21FH	DR2130	1	BLBSOK45R
BLB48/51 FH SOKL	1	DR21FH	DR2130	1	BLBSOK45L
BLB48/51 FH SOKR	1	DR21FH	DR2130	1	BLBSOK45R

SKU	Qty	DOOR		Qty	ADJUSTABLE SHELF/ACCESSORY
		Full Overlay	Partial Overlay		*For All Plywood Construction Adjustable Shelf, refer to Parts Directory legend
		Part Name	Part Name		*Part Name
<b>FULL-HEIGHT BASE WITH BOTTOM MOUNT WASTEBASKET(S)</b>					
BWBB15 FH	1	DR15FH ND	DR1530 ND	1	BWBB15 FH _OL KIT
BWBB18 FH	1	DR18FH ND	DR1830 ND	1	BWBB18 FH _OL KIT
BWBB21-2 FH	1	DR21FH ND	DR2130 ND	1	BWBB21-2 FH _OL KIT
<b>BASE END ANGLE</b>					
BEA12 FH	1	DR15FH	DR1530	1	BEA12 SHELF 3/4
BEA24 FH	2	DR18FH	DR1830	1	BEA SHELF 3/4
<b>FULL HEIGHT PENINSULA BASE</b>					
PB12 FH	2	DR12FH	DR1230	1	12" SHELF PB 3/4
PB18 FH	2	DR18FH	DR1830	1	18" SHELF PB 3/4
PB24 BUTT FH	4	DR12BUTT FH	DR1230 BUTT	1	24" SHELF PB 3/4
PB30 BUTT FH	4	DR15BUTT FH	DR1530 BUTT	1	30" SHELF PB 3/4
PB36 BUTT FH	4	DR18BUTT FH	DR1830 BUTT	1	36" SHELF PB 3/4

SKU	Qty	DRAWER FRONT		DRAWER BODY
		Full Overlay	Partial Overlay	Part Name
		Part Name	Part Name	
<b>FURNITURE DRAWERS - 12" DEEP - 6" HIGH</b>				
FD121206	1	DDF12	DDF12	DRB12 X 9DP SG
FD151206	1	DDF15	DDF15	DRB15 X 9DP SG
FD181206	1	DDF18	DDF18	DRB18 X 9DP SG
FD211206	1	DDF21	DDF21	DRB21 X 9DP SG
FD241206	1	DDF24	DDF24	DRB24 X 9DP SG
FD271206	1	DDF27	DDF27	DRB27 X 9DP SG
FD301206	1	DDF30	DDF30	DRB30 X 9DP SG
FD331206	1	DDF33	DDF33	DRB33 X 9DP SG
FD361206	1	DDF36	DDF36	DRB36 X 9DP SG
<b>FURNITURE DRAWERS - 24" DEEP - 6" HIGH</b>				
FD122406	1	DDF12	DDF12	DRB12 X 21DP SG
FD152406	1	DDF15	DDF15	DRB15 X 21DP SG
FD182406	1	DDF18	DDF18	DRB18 X 21DP SG
FD212406	1	DDF21	DDF21	DRB21 X 21DP SG
FD242406	1	DDF24	DDF24	DRB24 X 21DP SG
FD272406	1	DDF27	DDF27	DRB27 X 21DP SG
FD302406	1	DDF30	DDF30	DRB30 X 21DP SG
FD332406	1	DDF33	DDF33	DRB33 X 21DP SG
FD362406	1	DDF36	DDF36	DRB36 X 21DP SG
<b>FURNITURE DRAWERS - 12" DEEP - 12" HIGH</b>				
FD121212	1	DDF12M	DDF12D	DRB12M X 9DP SG
FD151212	1	DDF15M	DDF15D	DRB15M X 9DP SG
FD181212	1	DDF18M	DDF18D	DRB18M X 9DP SG
FD211212	1	DDF21M	DDF21D	DRB21M X 9DP SG
FD241212	1	DDF24M	DDF24D	DRB24M X 9DP SG
FD271212	1	DDF27M	DDF27D	DRB27M X 9DP SG
FD301212	1	DDF30M	DDF30D	DRB30M X 9DP SG
FD331212	1	DDF33M	DDF33D	DRB33M X 9DP SG
FD361212	1	DDF36M	DDF36D	DRB36M X 9DP SG
<b>FURNITURE DRAWERS - 24" DEEP - 12" HIGH</b>				
FD122412	1	DDF12M	DDF12D	DRB12M X 21DP SG
FD152412	1	DDF15M	DDF15D	DRB15M X 21DP SG
FD182412	1	DDF18M	DDF18D	DRB18M X 21DP SG
FD212412	1	DDF21M	DDF21D	DRB21M X 21DP SG
FD242412	1	DDF24M	DDF24D	DRB24M X 21DP SG
FD272412	1	DDF27M	DDF27D	DRB27M X 21DP SG
FD302412	1	DDF30M	DDF30D	DRB30M X 21DP SG
FD332412	1	DDF33M	DDF33D	DRB33M X 21DP SG
FD362412	1	DDF36M	DDF36D	DRB36M X 21DP SG
<b>PEDESTAL DRAWERS</b>				
PD1217 1DWR	1	DDF12M	DDF12D	DRB12M X 21DP SG
PD1517 1DWR	1	DDF15M	DDF15D	DRB15M X 21DP SG
PD1817 1DWR	1	DDF18M	DDF18D	DRB18M X 21DP SG
PD2117 1DWR	1	DDF21M	DDF21D	DRB21M X 21DP SG
PD2417 1DWR	1	DDF24M	DDF24D	DRB24M X 21DP SG
PD2717 1DWR	1	DDF27M	DDF27D	DRB27M X 21DP SG
PD3017 1DWR	1	DDF30M	DDF30D	DRB30M X 21DP SG
PD3317 1DWR	1	DDF33M	DDF33D	DRB33M X 21DP SG
PD3617 1DWR	1	DDF36M	DDF36D	DRB36M X 21DP SG

SKU	Qty	DRAWER / PANEL FRONT		Qty	DRAWER BODY
		Full Overlay	Partial Overlay		Part Name
		Part Name	Part Name		
<b>TWO DRAWER BASE</b>					
DB21 2DWR	2	DDF21 2DB	DDF21 2DB	2	DRB21 HD X 21DPDTFD
DB24 2DWR	2	DDF24 2DB	DDF24 2DB	2	DRB24 HD X 21DPDTFD
DB27 2DWR	2	DDF27 2DB	DDF27 2DB	2	DRB27 HD X 21DPDTFD
DB30 2DWR	2	DDF30 2DB	DDF30 2DB	2	DRB30 HD X 21DPDTFD
DB33 2DWR	2	DDF33 2DB	DDF33 2DB	2	DRB33 HD X 21DPDTFD
DB36 2DWR	2	DDF36 2DB	DDF36 2DB	2	DRB36 HD X 21DPDTFD
<b>TWO DRAWER BASE WITH PEG DISH ORGANIZER</b>					
DB21 2DWR PDO	2	DDF21 2DB	DDF21 2DB	2	DRB21 HD X 21DPDTFD
DB24 2DWR PDO	2	DDF24 2DB	DDF24 2DB	2	DRB24 HD X 21DPDTFD
DB27 2DWR PDO	2	DDF27 2DB	DDF27 2DB	2	DRB27 HD X 21DPDTFD
DB30 2DWR PDO	2	DDF30 2DB	DDF30 2DB	2	DRB30 HD X 21DPDTFD
DB33 2DWR PDO	2	DDF33 2DB	DDF33 2DB	2	DRB33 HD X 21DPDTFD
DB36 2DWR PDO	2	DDF36 2DB	DDF36 2DB	2	DRB36 HD X 21DPDTFD
<b>TWO DRAWER BASE WITH DEEP SLIDING SHELF</b>					
DB21 2DWR SFWT	2	DDF21 2DB	DDF21 2DB	2	DRB21 HD X 21DPDTFD SDROT21
DB24 2DWR SFWT	2	DDF24 2DB	DDF24 2DB	2	DRB24 HD X 21DPDTFD SDROT24
DB27 2DWR SFWT	2	DDF27 2DB	DDF27 2DB	2	DRB27 HD X 21DPDTFD SDROT27
DB30 2DWR SFWT	2	DDF30 2DB	DDF30 2DB	2	DRB30 HD X 21DPDTFD SDROT30
DB33 2DWR SFWT	2	DDF33 2DB	DDF33 2DB	2	DRB33 HD X 21DPDTFD SDROT33
DB36 2DWR SFWT	2	DDF36 2DB	DDF36 2DB	2	DRB36 HD X 21DPDTFD SDROT36
<b>TWO DRAWER BASE WITH SCALLOPED DEEP SLIDING SHELF &amp; PEG DISH ORGANIZER</b>					
DB21 2DWR SFWT PDO	2	DDF21 2DB	DDF21 2DB	2	DRB21 HD X 21DPDTFD SDROT21
DB24 2DWR SFWT PDO	2	DDF24 2DB	DDF24 2DB	2	DRB24 HD X 21DPDTFD SDROT24
DB27 2DWR SFWT PDO	2	DDF27 2DB	DDF27 2DB	2	DRB27 HD X 21DPDTFD SDROT27
DB30 2DWR SFWT PDO	2	DDF30 2DB	DDF30 2DB	2	DRB30 HD X 21DPDTFD SDROT30
DB33 2DWR SFWT PDO	2	DDF33 2DB	DDF33 2DB	2	DRB33 HD X 21DPDTFD SDROT33
DB36 2DWR SFWT PDO	2	DDF36 2DB	DDF36 2DB	2	DRB36 HD X 21DPDTFD SDROT36
<b>THREE DRAWER BASE</b>					
DB12	1 2	DDF12 DDF12M	DDF12 DDF12D	1 2	DRB12 X 21DP SG DRB12M X 21DP SG
DB15	1 2	DDF15 DDF15M	DDF15 DDF15D	1 2	DRB15 X 21DP SG DRB15M X 21DP SG
DB18	1 2	DDF18 DDF18M	DDF18 DDF18D	1 2	DRB18 X 21DP SG DRB18M X 21DP SG
DB21	1 2	DDF21 DDF21M	DDF21 DDF21D	1 2	DRB21 X 21DP SG DRB21M X 21DP SG
DB24	1 2	DDF24 DDF24M	DDF24 DDF24D	1 2	DRB24 X 21DP SG DRB24M X 21DP SG
DB27	1 2	DDF27 DDF27M	DDF27 DDF27D	1 2	DRB27 X 21DP SG DRB27M X 21DP SG
DB30	1 2	DDF30 DDF30M	DDF30 DDF30D	1 2	DRB30 X 21DP SG DRB30M X 21DP SG
DB33	1 2	DDF33 DDF33M	DDF33 DDF33D	1 2	DRB33 X 21DP SG DRB33M X 21DP SG
DB36 1TD	1 2	DDF36 DDF36M	DDF36 DDF36D	1 2	DRB36 X 21DP SG DRB36M X 21DP SG

SKU	Qty	DRAWER / PANEL FRONT		Qty	DRAWER BODY
		Full Overlay	Partial Overlay		Part Name
		Part Name	Part Name		
<b>THREE DRAWER BASE WITH FACTORY INSTALLED WOOD TIERED CUTLERY DIVIDER</b>					
DB15 WTCD	1	DDF15	DDF15	1	WTCDFD15
	2	DDF15M	DDF15D	2	DRB24M X 21DP SG
DB18 WTCD	1	DDF18	DDF18	1	WTCDFD18
	2	DDF18M	DDF18D	2	DRB24M X 21DP SG
DB21 WTCD	1	DDF21	DDF21	1	WTCDFD21
	2	DDF21M	DDF21D	2	DRB24M X 21DP SG
DB24 WTCD	1	DDF24	DDF24	1	WTCDFD24
	2	DDF24M	DDF24D	2	DRB24M X 21DP SG
DB30 WTCD	1	DDF30	DDF30	1	WTCDFD30
	2	DDF30M	DDF30D	2	DRB30M X 21DP SG
DB36 1TD WTCD	1	DDF36	DDF36	1	WTCDFD36
	2	DDF36M	DDF36D	2	DRB36M X 21DP SG
<b>THREE DRAWER BASE WITH FACTORY INSTALLED CUTLERY DIVIDER</b>					
DB15 CD	1	DDF15	DDF15	1	DRB15 X 21DP DT FD
	2	DDF15M	DDF15D	2	DRB15M X 21DP SG
DB18 CD	1	DDF18	DDF18	1	DRB18 X 21DP DT FD
	2	DDF18M	DDF18D	2	DRB18M X 21DP SG
DB21 CD	1	DDF21	DDF21	1	DRB21 X 21DP DT FD
	2	DDF21M	DDF21D	2	DRB21M X 21DP SG
DB24 CD	1	DDF24	DDF24	1	DRB24 X 21DP DT FD
	2	DDF24M	DDF24D	2	DRB24M X 21DP SG
DB30 CD	1	DDF30	DDF30	1	DRB30 X 21DP DT FD
	2	DDF30M	DDF30D	2	DRB30M X 21DP SG
DB36 1TD CD	1	DDF36	DDF36	1	DRB36 X 21DP DT FD
	2	DDF36M	DDF36D	2	DRB36M X 21DP SG
<b>THREE DRAWER BASE WITH FACTORY INSTALLED SPICE DRAWER</b>					
DB15 SDI	1	DDF15	DDF15	1	DRB15 X 21DP DT FD
	2	DDF15M	DDF15D	2	DRB15M X 21DP SG
DB18 SDI	1	DDF18	DDF18	1	DRB18 X 21DP DT FD
	2	DDF18M	DDF18D	2	DRB18M X 21DP SG
DB21 SDI	1	DDF21	DDF21	1	DRB21 X 21DP DT FD
	2	DDF21M	DDF21D	2	DRB21M X 21DP SG
DB24 SDI	1	DDF24	DDF24	1	DRB24 X 21DP DT FD
	2	DDF24M	DDF24D	2	DRB24M X 21DP SG
<b>FOUR DRAWER BASE</b>					
DB12 4DWR	3	DDF12	DDF12	3	DRB12 X 21DP SG
	1	DDF12M	DDF12D	1	DRB12M X 21DP SG
DB15 4DWR	3	DDF15	DDF15	3	DRB15 X 21DP SG
	1	DDF15M	DDF15D	1	DRB15M X 21DP SG
DB18 4DWR	3	DDF18	DDF18	3	DRB18 X 21DP SG
	1	DDF18M	DDF18D	1	DRB18M X 21DP SG
DB21 4DWR	3	DDF21	DDF21	3	DRB21 X 21DP SG
	1	DDF21M	DDF21D	1	DRB21M X 21DP SG
DB24 4DWR	3	DDF24	DDF24	3	DRB24 X 21DP SG
	1	DDF24M	DDF24D	1	DRB24M X 21DP SG
<b>FOUR DRAWER BASE WITH FACTORY INSTALLED WOOD TIERED CUTLERY DIVIDER</b>					
DB15 4DWR WTCD	1	DDF15	DDF15	1	WTCDFD15
	2	DDF15	DDF15	2	DRB15 X 21DP SG
	1	DDF15M	DDF15D	1	DRB15M X 21DP SG
DB18 4DWR WTCD	1	DDF18	DDF18	1	WTCDFD18
	2	DDF18	DDF18	2	DRB18 X 21DP SG
	1	DDF18M	DDF18D	1	DRB18M X 21DP SG
DB21 4DWR WTCD	1	DDF21	DDF21	1	WTCDFD21
	2	DDF21	DDF21	2	DRB21 X 21DP SG
	1	DDF21M	DDF21D	1	DRB21M X 21DP SG
DB24 4DWR WTCD	1	DDF24	DDF24	1	WTCDFD24
	2	DDF24	DDF24	2	DRB24 X 21DP SG
	1	DDF24M	DDF24D	1	DRB24M X 21DP SG

SKU	Qty	DRAWER / PANEL FRONT		Qty	DRAWER BODY
		Full Overlay	Partial Overlay		Part Name
		Part Name	Part Name		
<b>FOUR DRAWER BASE WITH FACTORY INSTALLED CUTLERY DIVIDER</b>					
DB15 4DWR CD	3	DDF15	DDF15	1	DRB15 X 21DP DT FD
	1	DDF15M	DDF15D	2	DRB15 X 21DP SG
DB18 4DWR CD	3	DDF18	DDF18	1	DRB18 X 21DP DT FD
	1	DDF18M	DDF18D	2	DRB18 X 21DP SG
DB21 4DWR CD	3	DDF21	DDF21	1	DRB21 X 21DP DT FD
	1	DDF21M	DDF21D	2	DRB21 X 21DP SG
DB24 4DWR CD	3	DDF24	DDF24	1	DRB24 X 21DP DT FD
	1	DDF24M	DDF24D	2	DRB24 X 21DP SG
<b>FOUR DRAWER BASE WITH FACTORY INSTALLED SPICE DRAWER INSERT</b>					
DB15 4DWR SDI	3	DDF15	DDF15	1	DRB15 X 21DP DT FD
	1	DDF15M	DDF15D	2	DRB15 X 21DP SG
DB18 4DWR SDI	3	DDF18	DDF18	1	DRB18 X 21DP DT FD
	1	DDF18M	DDF18D	2	DRB18 X 21DP SG
DB21 4DWR SDI	3	DDF21	DDF21	1	DRB21 X 21DP DT FD
	1	DDF21M	DDF21D	2	DRB21 X 21DP SG
DB24 4DWR SDI	3	DDF24	DDF24	1	DRB24 X 21DP DT FD
	1	DDF24M	DDF24D	2	DRB24 X 21DP SG
<b>BUILT-IN BASE MICROWAVE CABINET</b>					
BBMC24	1	DDF24	DDF24	1	DRB21 X 21DP SG
BBMC27	1	DDF27	DDF27	1	DRB24 X 21DP SG
BBMC30	1	DDF30	DDF30	1	DRB27 X 21DP SG
<b>BASE MICROWAVE CABINET</b>					
BMC24	2	DDF24	DDF24	2	DRB24 X 21DP SG
BMC27	2	DDF27	DDF27	2	DRB27 X 21DP SG
BMC30	2	DDF30	DDF30	2	DRB30 X 21DP SG
<b>BASE SPICE DRAWER CABINET</b>					
BSDC6	5	DDF SDC	DDF SDC	5	DRB6 BSDC6
<b>WALL SPICE DRAWER CABINET</b>					
SDC18	3	DDF SDC	DDF SDC	3	DRB6 SDC30
SDC24	4	DDF SDC	DDF SDC	4	DRB6 SDC30
SDC30	5	DDF SDC	DDF SDC	5	DRB6 SDC30
SDC36	6	DDF SDC	DDF SDC	6	DRB6 SDC30



SKU	Qty	DOOR		PANEL	
		Part Name	Qty	Part Name	Qty
<b>CORNER SINK BASE</b>					
CSB36	1	DR1524	1	DDF15	
<b>CORNER SINK FRONT</b>					
CSF36	1	DR1524	1	DDF15	
CSF42	1	DR2424	1	DDF24	
<b>DEEP SINK/RANGE BASE</b>					
DSB30 BUTT	2	DR1521V BUTT	-	N/A	
DSB33 BUTT	2	DR1621V BUTT	-	N/A	
DSB36 BUTT	2	DR1821V BUTT	-	N/A	
DSB39	2	DR1921V	-	N/A	
<b>SINK BASE MULTI-STORAGE</b>					
SBMSC30 BUTT STO	2	DR1524 BUTT	1	DDF30 DRILL	
SBMSC36 BUTT STO	2	DR1824 BUTT	1	DDF36 DRILL	
<b>SINK/COOKTOP BASE AND FRONT</b>					
SF12	1	DR1224	1	DDF12	
SF15	1	DR1524	1	DDF15	
SB18 / SF18	1	DR1824	1	DDF18	
SB21 / SF21	1	DR2124	1	DDF21	
SB24 / SF24	1	DR2424	1	DDF24	
SB24 BUTT / SF24 BUTT	2	DR1224 BUTT	1	DDF24	
SB27 BUTT / SF27 BUTT	2	DR1324 BUTT	1	DDF27	
SB30 BUTT / SF30 BUTT	2	DR1524 BUTT	1	DDF30	
SB33 BUTT / SF33 BUTT	2	DR1624 BUTT	1	DDF33	
SB36 BUTT / SF36 BUTT	2	DR1824 BUTT	1	DDF36	
SB39 / SF39	2	DR1924	2	DDF19	
SB42 / SF42	2	DR2124	2	DDF21	
SB45 / SF45	3	DR1524	3	DDF15	
SB48 / SF48	2	DR2424	2	DDF24	
<b>SINK BASE WITH FACTORY INSTALLED TILT-OUT TRAY(S)</b>					
SB21 STO	1	DR2124	1	DDF21 DRILL	
SB24 STO	1	DR2424	1	DDF24 DRILL	
SB24 BUTT STO	2	DR1224 BUTT	1	DDF24 DRILL	
SB27 BUTT STO	2	DR1324 BUTT	1	DDF27 DRILL	
SB30 BUTT STO	2	DR1524 BUTT	1	DDF30 DRILL	
SB33 BUTT STO	2	DR1624 BUTT	1	DDF33 DRILL	
SB36 BUTT STO	2	DR1824 BUTT	1	DDF36 DRILL	
SB39 STO	2	DR1924	2	DDF19 DRILL	
SB42 STO	2	DR2124	2	DDF21 DRILL	
SB48 STO	2	DR2424	2	DDF24 DRILL	
<b>BASE PLUMBING SKIRT</b>					
BPS30 UD	-	N/A	1	DDFKDC33/27	
BPS36 UD	-	N/A	1	DDFKDC36/33	
BPS3034 UD	-	N/A	1	DDFKDC33/27	
BPS3634 UD	-	N/A	1	DDFKDC36/33	
<b>ADAPTABLE SINK BASE KIT</b>					
ASB3032 KIT	2	DR1521 BUTT	-	N/A	
ASB3632 KIT	2	DR1821 BUTT	-	N/A	
ASB3034 KIT	2	DR1524 BUTT	-	N/A	
ASB3634 KIT	2	DR1824 BUTT	-	N/A	

SKU	Qty	DOOR		SPIN UNIT	
		Part Name	Qty	Part Name	Qty
<b>CORNER BASE</b>					
BER33 (L/R)	1 1	DR930 BER DRILL DR930 BER ND	-	N/A	
BER3336L	1 1	DR930 BER DRILL DR1230 BER ND	-	N/A	
BER3336R	1 1	DR930 BER ND DR1230 BER DRILL	-	N/A	
BER36 (L/R)	1 1	DR1230 BER DRILL DR1230 BER ND	-	N/A	
BER3633L	1 1	DR1230 BER DRILL DR930 BER ND	-	N/A	
BER3633R	1 1	DR1230 BER ND DR930 BER DRILL	-	N/A	
BSS33 (L/R)	1 1	DR930 BER DRILL DR930 BER ND	1	BSS33 UNIT RAS	
BSS33 (L/R) WD	1 1	DR930 BER DRILL DR930 BER ND	2	BSS33 SHELF WD NP	
BSS3336L	1 1	DR930 BER DRILL DR1230 BER ND	1	BSS33 UNIT RAS	
BSS3336L WD	1 1	DR930 BER DRILL DR1230 BER ND	2	BSS3336 SHELF WD NP	
BSS3336R	1 1	DR930 BER ND DR1230 BER DRILL	1	BSS33 UNIT RAS	
BSS3336R WD	1 1	DR930 BER ND DR1230 BER DRILL	2	BSS3336 SHELF WD NP	
BSS36 (L/R)	1 1	DR1230 BER DRILL DR1230 BER ND	1	BSS36 UNIT RAS	
BSS36 (L/R) WD	1 1	DR1230 BER DRILL DR1230 BER ND	2	BSS36 SHELF WD NP	
BSS3633L	1 1	DR1230 BER DRILL DR930 BER ND	1	BSS33 UNIT RAS	
BSS3633L WD	1 1	DR1230 BER DRILL DR930 BER ND	2	BSS3633 SHELF WD NP	
BSS3633R	1 1	DR1230 BER ND DR930 BER DRILL	1	BSS33 UNIT RAS	
BSS3633R WD	1 1	DR1230 BER ND DR930 BER DRILL	2	BSS3633 SHELF WD NP	
CAR36 (L/R)	1 1	DR1230 BER DRILL DR1230 BER ND	1	CAR36 UNIT RAS	
CAR36 (L/R) WD	1 1 1	DR1230 BER DRILL DR1230 BER ND	2 1 1	CAR36 SHELF WD BSSCWSCAR T-SHAFT RA WOOD SPIN SHELF HDW	
CBS36	1	DRCBS36	1	CBS36 UNIT RAS	
CBS36 WD	1	DRCBS36	2	CBS SHELF WD NP	

SKU	Qty	DOOR	SPECIALTY DOOR	GLASS INSERT	Qty	ADJUSTABLE SHELF
						*For All Plywood Construction and/or Matching Interior Adjustable Shelf, refer to Parts Directory legend
		Part Name	Part Name	Part Name		*Part Name
<b>UTILITY WITH ADJUSTABLE SHELVES - 12" DEEP X 84" HIGH</b>						
UT1212 X 84 AS	1 1	DR1230 DR1250	DR1230 SD	DGI-1230	5	S1212
UT1512 X 84 AS	1 1	DR1530 DR1550	DR1530 SD	DGI-1530	5	S1512
UT1812 X 84 AS	1 1	DR1830 DR1850	DR1830 SD	DGI-1830	5	S1812
UT2112 X 84 AS	1 1	DR2130 DR2150	DR2130 SD	DGI-2130	5	S2112
UT2412 X 84 AS BUTT	2 2	DR1230 BUTT DR1250 BUTT	DR1230 BUTT SD	DGI-1230 BUTT	5	S2412
<b>UTILITY WITH ADJUSTABLE SHELVES - 12" DEEP X 90" HIGH</b>						
UT1212 X 90 AS	1 1	DR1236 DR1250	DR1236 SD	DGI-1236	6	S1212
UT1512 X 90 AS	1 1	DR1536 DR1550	DR1536 SD	DGI-1536	6	S1512
UT1812 X 90 AS	1 1	DR1836 DR1850	DR1836 SD	DGI-1836	6	S1812
UT2112 X 90 AS	1 1	DR2136 DR2150	DR2136 SD	DGI-2136	6	S2112
UT2412 X 90 AS BUTT	2 2	DR1236 BUTT DR1250 BUTT	DR1236 BUTT SD	DGI-1236 BUTT	6	S2412
<b>UTILITY WITH ADJUSTABLE SHELVES - 12" DEEP X 93" HIGH</b>						
UT1212 X 93 AS	1 1	DR1239 DR1250	DR1239 SD	DGI-1239	7	S1212
UT1512 X 93 AS	1 1	DR1539 DR1550	DR1539 SD	DGI-1539	7	S1512
UT1812 X 93 AS	1 1	DR1839 DR1850	DR1839 SD	DGI-1839	7	S1812
UT2112 X 93 AS	1 1	DR2139 DR2150	DR2139 SD	DGI-2139	7	S2112
UT2412 X 93 AS BUTT	2 2	DR1239 BUTT DR1250 BUTT	DR1239 BUTT SD	DGI-1239 BUTT	7	S2412
<b>UTILITY WITH ADJUSTABLE SHELVES - 12" DEEP X 96" HIGH</b>						
UT1212 X 96 AS	1 1	DR1242 DR1250	DR1242 SD	DGI-1242	7	S1212
UT1512 X 96 AS	1 1	DR1542 DR1550	DR1542 SD	DGI-1542	7	S1512
UT1812 X 96 AS	1 1	DR1842 DR1850	DR1842 SD	DGI-1842	7	S1812
UT2112 X 96 AS	1 1	DR2142 DR2150	DR2142 SD	DGI-2142	7	S2112
UT2412 X 96 AS BUTT	2 2	DR1242 BUTT DR1250 BUTT	DR1242 BUTT SD	DGI-1242 BUTT	7	S2412
<b>UTILITY WITH ADJUSTABLE SHELVES - 24" DEEP X 84" HIGH</b>						
UT1224 X 84 AS	1 1	DR1230 DR1250	DR1230 SD	DGI-1230	5	S1224
UT1524 X 84 AS	1 1	DR1530 DR1550	DR1530 SD	DGI-1530	5	S1524
UT1824 X 84 AS	1 1	DR1830 DR1850	DR1830 SD	DGI-1830	5	S1824
UT2124 X 84 AS	1 1	DR2130 DR2150	DR2130 SD	DGI-2130	5	S2124
UT2424 X 84 AS BUTT	2 2	DR1230 BUTT DR1250 BUTT	DR1230 BUTT SD	DGI-1230 BUTT	5	S2424
UT2724 X 84 AS BUTT	2 2	DR1330 BUTT DR1350 BUTT	DR1330 BUTT SD	DGI-1330 BUTT	5	S2724
UT3024 X 84 AS BUTT	2 2	DR1530 BUTT DR1550 BUTT	DR1530 BUTT SD	DGI-1530 BUTT	5	S3024
UT3324 X 84 AS BUTT	2 2	DR1630 BUTT DR1650 BUTT	DR1630 BUTT SD	DGI-1630 BUTT	5	S3324
UT3624 X 84 AS BUTT	2 2	DR1830 BUTT DR1850 BUTT	DR1830 BUTT SD	DGI-1830 BUTT	5	S3624

SKU	Qty	DOOR	SPECIALTY DOOR	GLASS INSERT	Qty	ADJUSTABLE SHELF
						*For All Plywood Construction and/or Matching Interior Adjustable Shelf, refer to Parts Directory legend
		Part Name	Part Name	Part Name		*Part Name
<b>UTILITY WITH ADJUSTABLE SHELVES - 24" DEEP X 90" HIGH</b>						
UT1224 X 90 AS	1 1	DR1236 DR1250	DR1236 SD	DGI-1236	6	S1224
UT1524 X 90 AS	1 1	DR1536 DR1550	DR1536 SD	DGI-1536	6	S1524
UT1824 X 90 AS	1 1	DR1836 DR1850	DR1836 SD	DGI-1836	6	S1824
UT2124 X 90 AS	1 1	DR2136 DR2150	DR2136 SD	DGI-2136	6	S2124
UT2424 X 90 AS BUTT	2 2	DR1236 BUTT DR1250 BUTT	DR1236 BUTT SD	DGI-1236 BUTT	6	S2424
UT2724 X 90 AS BUTT	2 2	DR1336 BUTT DR1350 BUTT	DR1336 BUTT SD	DGI-1336 BUTT	6	S2724
UT3024 X 90 AS BUTT	2 2	DR1536 BUTT DR1550 BUTT	DR1536 BUTT SD	DGI-1536 BUTT	6	S3024
UT3324 X 90 AS BUTT	2 2	DR1636 BUTT DR1650 BUTT	DR1636 BUTT SD	DGI-1636 BUTT	6	S3324
UT3624 X 90 AS BUTT	2 2	DR1836 BUTT DR1850 BUTT	DR1836 BUTT SD	DGI-1836 BUTT	6	S3624
<b>UTILITY WITH ADJUSTABLE SHELVES - 24" DEEP X 93" HIGH</b>						
UT1224 X 93 AS	1 1	DR1239 DR1250	DR1239 SD	DGI-1239	7	S1224
UT1524 X 93 AS	1 1	DR1539 DR1550	DR1539 SD	DGI-1539	7	S1524
UT1824 X 93 AS	1 1	DR1839 DR1850	DR1839 SD	DGI-1839	7	S1824
UT2124 X 93 AS	1 1	DR2139 DR2150	DR2139 SD	DGI-2139	7	S2124
UT2424 X 93 AS BUTT	2 2	DR1239 BUTT DR1250 BUTT	DR1239 BUTT SD	DGI-1239 BUTT	7	S2424
UT2724 X 93 AS BUTT	2 2	DR1339 BUTT DR1350 BUTT	DR1339 BUTT SD	DGI-1339 BUTT	7	S2724
UT3024 X 93 AS BUTT	2 2	DR1539 BUTT DR1550 BUTT	DR1539 BUTT SD	DGI-1539 BUTT	7	S3024
UT3324 X 93 AS BUTT	2 2	DR1639 BUTT DR1650 BUTT	DR1639 BUTT SD	DGI-1639 BUTT	7	S3324
UT3624 X 93 AS BUTT	2 2	DR1839 BUTT DR1850 BUTT	DR1839 BUTT SD	DGI-1839 BUTT	7	S3624
<b>UTILITY WITH ADJUSTABLE SHELVES - 24" DEEP X 96" HIGH</b>						
UT1224 X 96 AS	1 1	DR1242 DR1250	DR1242 SD	DGI-1242	7	S1224
UT1524 X 96 AS	1 1	DR1542 DR1550	DR1542 SD	DGI-1542	7	S1524
UT1824 X 96 AS	1 1	DR1842 DR1850	DR1842 SD	DGI-1842	7	S1824
UT2124 X 96 AS	1 1	DR2142 DR2150	DR2142 SD	DGI-2142	7	S2124
UT2424 X 96 AS BUTT	2 2	DR1242 BUTT DR1250 BUTT	DR1242 BUTT SD	DGI-1242 BUTT	7	S2424
UT2724 X 96 AS BUTT	2 2	DR1342 BUTT DR1350 BUTT	DR1342 BUTT SD	DGI-1342 BUTT	7	S2724
UT3024 X 96 AS BUTT	2 2	DR1542 BUTT DR1550 BUTT	DR1542 BUTT SD	DGI-1542 BUTT	7	S3024
UT3324 X 96 AS BUTT	2 2	DR1642 BUTT DR1650 BUTT	DR1642 BUTT SD	DGI-1642 BUTT	7	S3324
UT3624 X 96 AS BUTT	2 2	DR1842 BUTT DR1850 BUTT	DR1842 BUTT SD	DGI-1842 BUTT	7	S3624

SKU	Qty	DOOR	SPECIALTY DOOR	GLASS INSERT	Qty	ADJUSTABLE SHELF
						*For All Plywood Construction and/or Matching Interior Adjustable Shelf, refer to Parts Directory legend
		Part Name	Part Name	Part Name		*Part Name
<b>UTILITY WITH SLIDING SHELVES - 84" HIGH</b>						
UT1224 X 84 4SSK	1 1	DR1230 DR1250	DR1230 SD	DGI-1230	1 4	S1224 SSK12
UT1524 X 84 4SSK	1 1	DR1530 DR1550	DR1530 SD	DGI-1530	1 4	S1524 SSK15
UT1824 X 84 4SSK	1 1	DR1830 DR1850	DR1830 SD	DGI-1830	1 4	S1824 SSK18
UT2124 X 84 4SSK	1 1	DR2130 DR2150	DR2130 SD	DGI-2130	1 4	S2124 SSK21
UT2424 X 84 4SSK BUTT	2 2	DR1230 BUTT DR1250 BUTT	DR1230 BUTT SD	DGI-1230 BUTT	1 4	S2424 SSK24
UT2724 X 84 4SSK BUTT	2 2	DR1330 BUTT DR1350 BUTT	DR1330 BUTT SD	DGI-1330 BUTT	1 4	S2724 SSK27
UT3024 X 84 4SSK BUTT	2 2	DR1530 BUTT DR1550 BUTT	DR1530 BUTT SD	DGI-1530 BUTT	1 4	S3024 SSK30
UT3324 X 84 4SSK BUTT	2 2	DR1630 BUTT DR1650 BUTT	DR1630 BUTT SD	DGI-1630 BUTT	1 4	S3324 SSK33
UT3624 X 84 4SSK BUTT	2 2	DR1830 BUTT DR1850 BUTT	DR1830 BUTT SD	DGI-1830 BUTT	1 4	S3624 SSK36
<b>UTILITY WITH SLIDING SHELVES - 90" HIGH</b>						
UT1224 X 90 4SSK	1 1	DR1236 DR1250	DR1236 SD	DGI-1236	2 4	S1224 SSK12
UT1524 X 90 4SSK	1 1	DR1536 DR1550	DR1536 SD	DGI-1536	2 4	S1524 SSK15
UT1824 X 90 4SSK	1 1	DR1836 DR1850	DR1836 SD	DGI-1836	2 4	S1824 SSK18
UT2124 X 90 4SSK	1 1	DR2136 DR2150	DR2136 SD	DGI-2136	2 4	S2124 SSK21
UT2424 X 90 4SSK BUTT	2 2	DR1236 BUTT DR1250 BUTT	DR1236 BUTT SD	DGI-1236 BUTT	2 4	S2424 SSK24
UT2724 X 90 4SSK BUTT	2 2	DR1336 BUTT DR1350 BUTT	DR1336 BUTT SD	DGI-1336 BUTT	2 4	S2724 SSK27
UT3024 X 90 4SSK BUTT	2 2	DR1536 BUTT DR1550 BUTT	DR1536 BUTT SD	DGI-1536 BUTT	2 4	S3024 SSK30
UT3324 X 90 4SSK BUTT	2 2	DR1636 BUTT DR1650 BUTT	DR1636 BUTT SD	DGI-1636 BUTT	2 4	S3324 SSK33
UT3624 X 90 4SSK BUTT	2 2	DR1836 BUTT DR1850 BUTT	DR1836 BUTT SD	DGI-1836 BUTT	2 4	S3624 SSK36
<b>UTILITY WITH SLIDING SHELVES - 93" HIGH</b>						
UT1224 X 93 4SSK	1 1	DR1239 DR1250	DR1239 SD	DGI-1239	3 4	S1224 SSK12
UT1524 X 93 4SSK	1 1	DR1539 DR1550	DR1539 SD	DGI-1539	3 4	S1524 SSK15
UT1824 X 93 4SSK	1 1	DR1839 DR1850	DR1839 SD	DGI-1839	3 4	S1824 SSK18
UT2124 X 93 4SSK	1 1	DR2139 DR2150	DR2139 SD	DGI-2139	3 4	S2124 SSK21
UT2424 X 93 4SSK BUTT	2 2	DR1239 BUTT DR1250 BUTT	DR1239 BUTT SD	DGI-1239 BUTT	3 4	S2424 SSK24
UT2724 X 93 4SSK BUTT	2 2	DR1339 BUTT DR1350 BUTT	DR1339 BUTT SD	DGI-1339 BUTT	3 4	S2724 SSK27
UT3024 X 93 4SSK BUTT	2 2	DR1539 BUTT DR1550 BUTT	DR1539 BUTT SD	DGI-1539 BUTT	3 4	S3024 SSK30
UT3324 X 93 4SSK BUTT	2 2	DR1639 BUTT DR1650 BUTT	DR1639 BUTT SD	DGI-1639 BUTT	3 4	S3324 SSK33
UT3624 X 93 4SSK BUTT	2 2	DR1839 BUTT DR1850 BUTT	DR1839 BUTT SD	DGI-1839 BUTT	3 4	S3624 SSK36

SKU	Qty	DOOR	SPECIALTY DOOR	GLASS INSERT	Qty	ADJUSTABLE SHELF
						*For All Plywood Construction and/or Matching Interior Adjustable Shelf, refer to Parts Directory legend
		Part Name	Part Name	Part Name		*Part Name
<b>UTILITY WITH SLIDING SHELVES - 96" HIGH</b>						
UT1224 X 96 4SSK	1 1	DR1242 DR1250	DR1242 SD	DGI-1242	3 4	S1224 SSK12
UT1524 X 96 4SSK	1 1	DR1542 DR1550	DR1542 SD	DGI-1542	3 4	S1524 SSK15
UT1824 X 96 4SSK	1 1	DR1842 DR1850	DR1842 SD	DGI-1842	3 4	S1824 SSK18
UT2124 X 96 4SSK	1 1	DR2142 DR2150	DR2142 SD	DGI-2142	3 4	S2124 SSK21
UT2424 X 96 4SSK BUTT	2 2	DR1242 BUTT DR1250 BUTT	DR1242 BUTT SD	DGI-1242 BUTT	3 4	S2424 SSK24
UT2724 X 96 4SSK BUTT	2 2	DR1342 BUTT DR1350 BUTT	DR1342 BUTT SD	DGI-1342 BUTT	3 4	S2724 SSK27
UT3024 X 96 4SSK BUTT	2 2	DR1542 BUTT DR1550 BUTT	DR1542 BUTT SD	DGI-1542 BUTT	3 4	S3024 SSK30
UT3324 X 96 4SSK BUTT	2 2	DR1642 BUTT DR1650 BUTT	DR1642 BUTT SD	DGI-1642 BUTT	3 4	S3324 SSK33
UT3624 X 96 4SSK BUTT	2 2	DR1842 BUTT DR1850 BUTT	DR1842 BUTT SD	DGI-1842 BUTT	3 4	S3624 SSK36
<b>UTILITY WITH PANTRY STORAGE - 24" DEEP X 84" HIGH</b>						
UT3624 X 84 PCDS BUTT	2 2	DR1830 BUTT DR1850 BUTT	DR1830 BUTT SD	DGI-1830 BUTT	1 1 2 2 1	S3624 PCKS36 PDSK18 PSK36
<b>UTILITY WITH PANTRY STORAGE - 24" DEEP X 90" HIGH</b>						
UT3624 X 90 PCDS BUTT	2 2	DR1836 BUTT DR1850 BUTT	DR1836 BUTT SD	DGI-1836 BUTT	2 1 2 2 1	S3624 PCKS36 PDSK18 PSK36
<b>UTILITY WITH PANTRY STORAGE - 24" DEEP X 93" HIGH</b>						
UT3624 X 93 PCDS BUTT	2 2	DR1839 BUTT DR1850 BUTT	DR1839 BUTT SD	DGI-1839 BUTT	3 1 2 2 1	S3624 PCKS36 PDSK18 PSK36
<b>UTILITY WITH PANTRY STORAGE - 24" DEEP X 96" HIGH</b>						
UT3624 X 96 PCDS BUTT	2 2	DR1842 BUTT DR1850 BUTT	DR1842 BUTT SD	DGI-1842 BUTT	3 1 2 2 1	S3624 PCKS36 PDSK18 PSK36

SKU	Qty	DOOR		SHELF / ACCESSORY		DRAWER FRONT		DRAWER BODY
		Part Name	Qty	*For All Plywood Construction Adjustable Shelf, refer to Parts Directory legend		Full Overlay	Partial Overlay	Part Name
				*Part Name	Qty			
<b>SINGLE OVEN CABINETS WITH 4 BUTT DOORS AND 1 DRAWER - 84" HIGH</b>								
OVS2784 BUTT 1DWR	2	DR1318 BUTT	-	N/A	-	DDF27	DDF27	DRB24 X 21DP SG
	2	DR1324 BUTT						
OVS3084 BUTT 1DWR	2	DR1518 BUTT	-	N/A	-	DDF30	DDF30	DRB27 X 21DP SG
	2	DR1524 BUTT						
OVS3384 BUTT 1DWR	2	DR1618 BUTT	-	N/A	-	DDF33	DDF33	DRB30 X 21DP SG
	2	DR1624 BUTT						
<b>SINGLE OVEN CABINETS WITH 4 BUTT DOORS AND 1 DRAWER - 90" HIGH</b>								
OVS2790 AS BUTT 1DWR	4	DR1324 BUTT	1	S2724	1	DDF27	DDF27	DRB24 X 21DP SG
OVS3090 AS BUTT 1DWR	4	DR1524 BUTT	1	S3024	1	DDF30	DDF30	DRB27 X 21DP SG
OVS3390 AS BUTT 1DWR	4	DR1624 BUTT	1	S3324	1	DDF33	DDF33	DRB30 X 21DP SG
<b>SINGLE OVEN CABINETS WITH 4 BUTT DOORS AND 1 DRAWER - 93" HIGH</b>								
OVS2793 AS BUTT 1DWR	2	DR1327 BUTT	1	S2724	2	DDF27	DDF27	DRB24 X 21DP SG
	2	DR1324 BUTT						
OVS3093 AS BUTT 1DWR	2	DR1527 BUTT	1	S3024	2	DDF30	DDF30	DRB27 X 21DP SG
	2	DR1524 BUTT						
OVS3393 AS BUTT 1DWR	2	DR1627 BUTT	1	S3324	2	DDF33	DDF33	DRB30 X 21DP SG
	2	DR1624 BUTT						
<b>SINGLE OVEN CABINETS WITH 4 BUTT DOORS AND 1 DRAWER - 96" HIGH</b>								
OVS2796 AS BUTT 1DWR	2	DR1330 BUTT	1	S2724	2	DDF27	DDF27	DRB24 X 21DP SG
	2	DR1324 BUTT						
OVS3096 AS BUTT 1DWR	2	DR1530 BUTT	1	S3024	2	DDF30	DDF30	DRB27 X 21DP SG
	2	DR1524 BUTT						
OVS3396 AS BUTT 1DWR	2	DR1630 BUTT	1	S3324	2	DDF33	DDF33	DRB30 X 21DP SG
	2	DR1624 BUTT						
<b>SINGLE OVEN CABINETS WITH 4 BUTT DOORS, 1 DRAWER AND 1 POT &amp; PAN ORGANIZER - 84" HIGH</b>								
OVS2784 BUTT 1DWR CCBPPO	2	DR1318 BUTT		N/A	1	DDF27	DDF27	DRB24 X 21DP SG
	2	DR1324 BUTT	1	BPPOKCC24				
OVS3084 BUTT 1DWR CCBPPO	2	DR1518 BUTT		N/A	1	DDF30	DDF30	DRB27 X 21DP SG
	2	DR1524 BUTT	1	BPPOKCC27				
OVS3384 BUTT 1DWR CCBPPO	2	DR1618 BUTT		N/A	1	DDF33	DDF33	DRB30 X 21DP SG
	2	DR1624 BUTT	1	BPPOKCC30				
<b>SINGLE OVEN CABINETS WITH 4 BUTT DOORS, 1 DRAWER AND 1 POT &amp; PAN ORGANIZER - 90" HIGH</b>								
OVS2790 BUTT 1DWR CCBPPO	4	DR1324 BUTT	1	S2724	1	DDF27	DDF27	DRB24 X 21DP SG
			1	BPPOKCC24				
OVS3090 BUTT 1DWR CCBPPO	4	DR1524 BUTT	1	S3024	1	DDF30	DDF30	DRB27 X 21DP SG
			1	BPPOKCC27				
OVS3390 BUTT 1DWR CCBPPO	4	DR1624 BUTT	1	S3324	1	DDF33	DDF33	DRB30 X 21DP SG
			1	BPPOKCC30				
<b>SINGLE OVEN CABINETS WITH 4 BUTT DOORS, 1 DRAWER AND 1 POT &amp; PAN ORGANIZER - 93" HIGH</b>								
OVS2793 BUTT 1DWR CCBPPO	2	DR1327 BUTT	1	S2724	2	DDF27	DDF27	DRB24 X 21DP SG
	2	DR1324 BUTT	1	BPPOKCC24				
OVS3093 BUTT 1DWR CCBPPO	2	DR1527 BUTT	1	S3024	2	DDF30	DDF30	DRB27 X 21DP SG
	2	DR1524 BUTT	1	BPPOKCC27				
OVS3393 BUTT 1DWR CCBPPO	2	DR1627 BUTT	1	S3324	2	DDF33	DDF33	DRB30 X 21DP SG
	2	DR1624 BUTT	1	BPPOKCC30				
<b>SINGLE OVEN CABINETS WITH 4 BUTT DOORS, 1 DRAWER AND 1 POT &amp; PAN ORGANIZER - 96" HIGH</b>								
OVS2796 BUTT 1DWR CCBPPO	2	DR1330 BUTT	1	S2724	2	DDF27	DDF27	DRB24 X 21DP SG
	2	DR1324 BUTT	1	BPPOKCC24				
OVS3096 BUTT 1DWR CCBPPO	2	DR1530 BUTT	1	S3024	2	DDF30	DDF30	DRB27 X 21DP SG
	2	DR1524 BUTT	1	BPPOKCC27				
OVS3396 BUTT 1DWR CCBPPO	2	DR1630 BUTT	1	S3324	2	DDF33	DDF33	DRB30 X 21DP SG
	2	DR1624 BUTT	1	BPPOKCC30				

SKU	Qty	DOOR		SHELF / ACCESSORY		DRAWER FRONT		DRAWER BODY
		Part Name	Qty	*For All Plywood Construction Adjustable Shelf, refer to Parts Directory legend		Full Overlay	Partial Overlay	Part Name
				*Part Name	Qty			
<b>SINGLE OVEN CABINETS WITH 4 BUTT DOORS AND 2 DRAWERS - 84" HIGH</b>								
OVS2784 BUTT 2DWR	2	DR1318 BUTT	-	N/A	2	DDF27	DDF27	DRB24 X 21DP SG
	2	DR1324 BUTT						
OVS3084 BUTT 2DWR	2	DR1518 BUTT	-	N/A	2	DDF30	DDF30	DRB27 X 21DP SG
	2	DR1524 BUTT						
OVS3384 BUTT 2DWR	2	DR1618 BUTT	-	N/A	2	DDF33	DDF33	DRB30 X 21DP SG
	2	DR1624 BUTT						
<b>SINGLE OVEN CABINETS WITH 4 BUTT DOORS AND 2 DRAWERS - 90" HIGH</b>								
OVS2790 AS BUTT 2DWR	4	DR1324 BUTT	1	S2724	2	DDF27	DDF27	DRB24 X 21DP SG
OVS3090 AS BUTT 2DWR	4	DR1524 BUTT	1	S3024	2	DDF30	DDF30	DRB27 X 21DP SG
OVS3390 AS BUTT 2DWR	4	DR1624 BUTT	1	S3324	2	DDF33	DDF33	DRB30 X 21DP SG
<b>SINGLE OVEN CABINETS WITH 4 BUTT DOORS AND 2 DRAWERS - 93" HIGH</b>								
OVS2793 AS BUTT 2DWR	2	DR1327 BUTT	2	S2724	2	DDF27	DDF27	DRB24 X 21DP SG
	2	DR1324 BUTT						
OVS3093 AS BUTT 2DWR	2	DR1527 BUTT	2	S3024	2	DDF30	DDF30	DRB27 X 21DP SG
	2	DR1524 BUTT						
OVS3393 AS BUTT 2DWR	2	DR1627 BUTT	2	S3324	2	DDF33	DDF33	DRB30 X 21DP SG
	2	DR1624 BUTT						
<b>SINGLE OVEN CABINETS WITH 4 BUTT DOORS AND 2 DRAWERS - 96" HIGH</b>								
OVS2796 AS BUTT 2DWR	2	DR1330 BUTT	2	S2724	2	DDF27	DDF27	DRB24 X 21DP SG
	2	DR1324 BUTT						
OVS3096 AS BUTT 2DWR	2	DR1530 BUTT	2	S3024	2	DDF30	DDF30	DRB27 X 21DP SG
	2	DR1524 BUTT						
OVS3396 AS BUTT 2DWR	2	DR1630 BUTT	2	S3324	2	DDF33	DDF33	DRB30 X 21DP SG
	2	DR1624 BUTT						
<b>SINGLE OVEN CABINETS WITH 4 BUTT DOORS, 2 DRAWERS AND 1 POT &amp; PAN ORGANIZER - 84" HIGH</b>								
OVS2784 BUTT 2DWR CCBPPO	2	DR1318 BUTT		N/A	1	DDF27	DDF27	DRB24 X 21DP SG
	2	DR1324 BUTT	2	BPPOKCC24				
OVS3084 BUTT 2DWR CCBPPO	2	DR1518 BUTT		N/A	1	DDF30	DDF30	DRB27 X 21DP SG
	2	DR1524 BUTT	2	BPPOKCC27				
OVS3384 BUTT 2DWR CCBPPO	2	DR1618 BUTT		N/A	1	DDF33	DDF33	DRB30 X 21DP SG
	2	DR1624 BUTT	2	BPPOKCC30				
<b>SINGLE OVEN CABINETS WITH 4 BUTT DOORS, 2 DRAWERS AND 1 POT &amp; PAN ORGANIZER - 90" HIGH</b>								
OVS2790 BUTT 2DWR CCBPPO	4	DR1324 BUTT	1	S2724	1	DDF27	DDF27	DRB24 X 21DP SG
			1	BPPOKCC24				
OVS3090 BUTT 2DWR CCBPPO	4	DR1524 BUTT	1	S3024	1	DDF30	DDF30	DRB27 X 21DP SG
			1	BPPOKCC27				
OVS3390 BUTT 2DWR CCBPPO	4	DR1624 BUTT	1	S3324	1	DDF33	DDF33	DRB30 X 21DP SG
			1	BPPOKCC30				
<b>SINGLE OVEN CABINETS WITH 4 BUTT DOORS, 2 DRAWERS AND 1 POT &amp; PAN ORGANIZER - 93" HIGH</b>								
OVS2793 BUTT 2DWR CCBPPO	2	DR1327 BUTT	2	S2724	2	DDF27	DDF27	DRB24 X 21DP SG
	2	DR1324 BUTT	1	BPPOKCC24				
OVS3093 BUTT 2DWR CCBPPO	2	DR1527 BUTT	2	S3024	2	DDF30	DDF30	DRB27 X 21DP SG
	2	DR1524 BUTT	1	BPPOKCC27				
OVS3393 BUTT 2DWR CCBPPO	2	DR1627 BUTT	2	S3324	2	DDF33	DDF33	DRB30 X 21DP SG
	2	DR1624 BUTT	1	BPPOKCC30				
<b>SINGLE OVEN CABINETS WITH 4 BUTT DOORS, 2 DRAWERS AND 1 POT &amp; PAN ORGANIZER - 96" HIGH</b>								
OVS2796 BUTT 2DWR CCBPPO	2	DR1330 BUTT	2	S2724	2	DDF27	DDF27	DRB24 X 21DP SG
	2	DR1324 BUTT	1	BPPOKCC24				
OVS3096 BUTT 2DWR CCBPPO	2	DR1530 BUTT	2	S3024	2	DDF30	DDF30	DRB27 X 21DP SG
	2	DR1524 BUTT	1	BPPOKCC27				
OVS3396 BUTT 2DWR CCBPPO	2	DR1630 BUTT	2	S3324	2	DDF33	DDF33	DRB30 X 21DP SG
	2	DR1624 BUTT	1	BPPOKCC30				

SKU	Qty	DOOR		SHELF / ACCESSORY		DRAWER FRONT		DRAWER BODY
		Part Name	Qty	*For All Plywood Construction Adjustable Shelf, refer to Parts Directory legend		Full Overlay	Partial Overlay	Part Name
				Qty	*Part Name			
<b>SINGLE OVEN CABINETS WITH 2 BUTT DOORS 4 DRAWERS - 84" HIGH</b>								
OVS2784 BUTT 4DWR	2	DR1318 BUTT	-	N/A	2	DDF27	DDF27	DRB24 X 21DP SG
					2	DDF27M	DDF27D	DRB24M X 21DP SG
OVS3084 BUTT 4DWR	2	DR1518 BUTT	-	N/A	2	DDF30	DDF30	DRB27 X 21DP SG
					2	DDF30M	DDF30D	DRB27M X 21DP SG
OVS3384 BUTT 4DWR	2	DR1618 BUTT	-	N/A	2	DDF33	DDF33	DRB30 X 21DP SG
					2	DDF33M	DDF33D	DRB30M X 21DP SG
<b>SINGLE OVEN CABINETS WITH 2 BUTT DOORS 4 DRAWERS - 90" HIGH</b>								
OVS2790 AS BUTT 4DWR	2	DR1324 BUTT	1	S2724	2	DDF27	DDF27	DRB24 X 21DP SG
					2	DDF27M	DDF27D	DRB24M X 21DP SG
OVS3090 AS BUTT 4DWR	2	DR1524 BUTT	1	S3024	2	DDF30	DDF30	DRB27 X 21DP SG
					2	DDF30M	DDF30D	DRB27M X 21DP SG
OVS3390 AS BUTT 4DWR	2	DR1624 BUTT	1	S3324	2	DDF33	DDF33	DRB30 X 21DP SG
					2	DDF33M	DDF33D	DRB30M X 21DP SG
<b>SINGLE OVEN CABINETS WITH 2 BUTT DOORS 4 DRAWERS - 93" HIGH</b>								
OVS2793 AS BUTT 4DWR	2	DR1327 BUTT	2	S2724	2	DDF27	DDF27	DRB24 X 21DP SG
					2	DDF27M	DDF27D	DRB24M X 21DP SG
OVS3093 AS BUTT 4DWR	2	DR1527 BUTT	2	S3024	2	DDF30	DDF30	DRB27 X 21DP SG
					2	DDF30M	DDF30D	DRB27M X 21DP SG
OVS3393 AS BUTT 4DWR	2	DR1627 BUTT	2	S3324	2	DDF33	DDF33	DRB30 X 21DP SG
					2	DDF33M	DDF33D	DRB30M X 21DP SG
<b>SINGLE OVEN CABINETS WITH 2 BUTT DOORS 4 DRAWERS - 96" HIGH</b>								
OVS2796 AS BUTT 4DWR	2	DR1330 BUTT	2	S2724	2	DDF27	DDF27	DRB24 X 21DP SG
					2	DDF27M	DDF27D	DRB24M X 21DP SG
OVS3096 AS BUTT 4DWR	2	DR1530 BUTT	2	S3024	2	DDF30	DDF30	DRB27 X 21DP SG
					2	DDF30M	DDF30D	DRB27M X 21DP SG
OVS3396 AS BUTT 4DWR	2	DR1630 BUTT	2	S3324	2	DDF33	DDF33	DRB30 X 21DP SG
					2	DDF33M	DDF33D	DRB30M X 21DP SG

SKU	Qty	DOOR		ADJUSTABLE SHELF	
		Part Name	Qty	*For All Plywood Construction Adjustable Shelf, refer to Parts Directory legend	
				Qty	*Part Name
<b>SINGLE OVEN CABINETS WITH 4 BUTT DOORS - 84" HIGH</b>					
OVS2784 BUTT	2	DR1318 BUTT	-	N/A	
	2	DR1324 BUTT			
OVS3084 BUTT	2	DR1518 BUTT	-	N/A	
	2	DR1524 BUTT			
OVS3384 BUTT	2	DR1618 BUTT	-	N/A	
	2	DR1624 BUTT			
<b>SINGLE OVEN CABINETS WITH 4 BUTT DOORS - 90" HIGH</b>					
OVS2790 AS BUTT	4	DR1324 BUTT	1	S2724	
OVS3090 AS BUTT	4	DR1524 BUTT	1	S3024	
OVS3390 AS BUTT	4	DR1624 BUTT	1	S3324	
<b>SINGLE OVEN CABINETS WITH 4 BUTT DOORS - 93" HIGH</b>					
OVS2793 AS BUTT	2	DR1327 BUTT	2	S2724	
	2	DR1324 BUTT			
OVS3093 AS BUTT	2	DR1527 BUTT	2	S3024	
	2	DR1524 BUTT			
OVS3393 AS BUTT	2	DR1627 BUTT	2	S3324	
	2	DR1624 BUTT			
<b>SINGLE OVEN CABINETS WITH 4 BUTT DOORS - 96" HIGH</b>					
OVS2796 AS BUTT	2	DR1330 BUTT	2	S2724	
	2	DR1324 BUTT			
OVS3096 AS BUTT	2	DR1530 BUTT	2	S3024	
	2	DR1524 BUTT			
OVS3396 AS BUTT	2	DR1630 BUTT	2	S3324	
	2	DR1624 BUTT			
<b>SINGLE OVEN CABINETS WITH POT &amp; PAN ORGANIZER - 84" HIGH</b>					
OVS2784 BUTT CCBPPO	2	DR1318 BUTT	1	N/A	
	2	DR1324 BUTT		BPPOKCC24	
OVS3084 BUTT CCBPPO	2	DR1518 BUTT	1	N/A	
	2	DR1524 BUTT		BPPOKCC27	
OVS3384 BUTT CCBPPO	2	DR1618 BUTT	1	N/A	
	2	DR1624 BUTT		BPPOKCC30	
<b>SINGLE OVEN CABINETS WITH POT &amp; PAN ORGANIZER - 90" HIGH</b>					
OVS2790 BUTT CCBPPO	4	DR1324 BUTT	1	S2724	
			1	BPPOKCC24	
OVS3090 BUTT CCBPPO	4	DR1524 BUTT	1	S3024	
			1	BPPOKCC27	
OVS3390 BUTT CCBPPO	4	DR1624 BUTT	1	S3324	
			1	BPPOKCC30	
<b>SINGLE OVEN CABINETS WITH POT &amp; PAN ORGANIZER - 93" HIGH</b>					
OVS2793 BUTT CCBPPO	2	DR1327 BUTT	2	S2724	
	2	DR1324 BUTT	1	BPPOKCC24	
OVS3093 BUTT CCBPPO	2	DR1527 BUTT	2	S3024	
	2	DR1524 BUTT	1	BPPOKCC27	
OVS3393 BUTT CCBPPO	2	DR1627 BUTT	2	S3324	
	2	DR1624 BUTT	1	BPPOKCC30	
<b>SINGLE OVEN CABINETS WITH POT &amp; PAN ORGANIZER - 96" HIGH</b>					
OVS2796 BUTT CCBPPO	2	DR1330 BUTT	2	S2724	
	2	DR1324 BUTT	1	BPPOKCC24	
OVS3096 BUTT CCBPPO	2	DR1530 BUTT	2	S3024	
	2	DR1524 BUTT	1	BPPOKCC27	
OVS3396 BUTT CCBPPO	2	DR1630 BUTT	2	S3324	
	2	DR1624 BUTT	1	BPPOKCC30	



SKU	Qty	DOOR		SHELF / ACCESSORY		DRAWER FRONT		DRAWER BODY
		Part Name	Qty	*For All Plywood Construction Adjustable Shelf, refer to Parts Directory legend		Full Overlay	Partial Overlay	
				*Part Name	Qty			
<b>DOUBLE OVEN CABINETS WITH 2 BUTT DOORS, 1 DRAWER - 84" HIGH</b>								
OVD2784 BUTT	2	DR1318 BUTT	-	N/A	1	DDFOV27	DDF27	DRB24 X 21DP SG
OVD3084 BUTT	2	DR1518 BUTT	-	N/A	1	DDFOV30	DDF30	DRB27 X 21DP SG
OVD3384 BUTT	2	DR1618 BUTT	-	N/A	1	DDFOV33	DDF33	DRB30 X 21DP SG
<b>DOUBLE OVEN CABINETS WITH 2 BUTT DOORS, 1 DRAWER - 90" HIGH</b>								
OVD2790 AS BUTT	2	DR1324 BUTT	1	S2724	1	DDFOV27	DDF27	DRB24 X 21DP SG
OVD3090 AS BUTT	2	DR1524 BUTT	1	S3024	1	DDFOV30	DDF30	DRB27 X 21DP SG
OVD3390 AS BUTT	2	DR1624 BUTT	1	S3324	1	DDFOV33	DDF33	DRB30 X 21DP SG
<b>DOUBLE OVEN CABINETS WITH 2 BUTT DOORS, 1 DRAWER - 93" HIGH</b>								
OVD2793 AS BUTT	2	DR1327 BUTT	2	S2724	1	DDFOV27	DDF27	DRB24 X 21DP SG
OVD3093 AS BUTT	2	DR1527 BUTT	2	S3024	1	DDFOV30	DDF30	DRB27 X 21DP SG
OVD3393 AS BUTT	2	DR1627 BUTT	2	S3324	1	DDFOV33	DDF33	DRB30 X 21DP SG
<b>DOUBLE OVEN CABINETS WITH 2 BUTT DOORS, 1 DRAWER - 96" HIGH</b>								
OVD2796 AS BUTT	2	DR1330 BUTT	2	S2724	1	DDFOV27	DDF27	DRB24 X 21DP SG
OVD3096 AS BUTT	2	DR1530 BUTT	2	S3024	1	DDFOV30	DDF30	DRB27 X 21DP SG
OVD3396 AS BUTT	2	DR1630 BUTT	2	S3324	1	DDFOV33	DDF33	DRB30 X 21DP SG
<b>DOUBLE OVEN CABINETS WITH 2 BUTT DOORS AND 1 LARGE DRAWER - 84" HIGH</b>								
OVD2784 BUTT 1DDWR	2	DR1318 BUTT	-	N/A	1	DDF27M	DDF27D	DRB24M X 21DP SG
OVD3084 BUTT 1DDWR	2	DR1518 BUTT	-	N/A	1	DDF30M	DDF30D	DRB27M X 21DP SG
OVD3384 BUTT 1DDWR	2	DR1618 BUTT	-	N/A	1	DDF33M	DDF33D	DRB30M X 21DP SG
<b>DOUBLE OVEN CABINETS WITH 2 BUTT DOORS AND 1 LARGE DRAWER - 90" HIGH</b>								
OVD2790 AS BUTT 1DDWR	2	DR1324 BUTT	1	S2724	1	DDF27M	DDF27D	DRB24M X 21DP SG
OVD3090 AS BUTT 1DDWR	2	DR1524 BUTT	1	S3024	1	DDF30M	DDF30D	DRB27M X 21DP SG
OVD3390 AS BUTT 1DDWR	2	DR1624 BUTT	1	S3324	1	DDF33M	DDF33D	DRB30M X 21DP SG
<b>DOUBLE OVEN CABINETS WITH 2 BUTT DOORS AND 1 LARGE DRAWER - 93" HIGH</b>								
OVD2793 AS BUTT 1DDWR	2	DR1327 BUTT	2	S2724	1	DDF27M	DDF27D	DRB24M X 21DP SG
OVD3093 AS BUTT 1DDWR	2	DR1527 BUTT	2	S3024	1	DDF30M	DDF30D	DRB27M X 21DP SG
OVD3393 AS BUTT 1DDWR	2	DR1627 BUTT	2	S3324	1	DDF33M	DDF33D	DRB30M X 21DP SG
<b>DOUBLE OVEN CABINETS WITH 2 BUTT DOORS AND 1 LARGE DRAWER - 96" HIGH</b>								
OVD2796 AS BUTT 1DDWR	2	DR1330 BUTT	2	S2724	1	DDF27M	DDF27D	DRB24M X 21DP SG
OVD3096 AS BUTT 1DDWR	2	DR1530 BUTT	2	S3024	1	DDF30M	DDF30D	DRB27M X 21DP SG
OVD3396 AS BUTT 1DDWR	2	DR1630 BUTT	2	S3324	1	DDF33M	DDF33D	DRB30M X 21DP SG
<b>DOUBLE OVEN CABINETS WITH 2 BUTT DOORS AND 2 DRAWERS - 84" HIGH</b>								
OVD2784 BUTT 2DWR	2	DR1318 BUTT	-	N/A	2	DDF27	DDF27	DRB24 X 21DP SG
OVD3084 BUTT 2DWR	2	DR1518 BUTT	-	N/A	2	DDF30	DDF30	DRB27 X 21DP SG
OVD3384 BUTT 2DWR	2	DR1618 BUTT	-	N/A	2	DDF33	DDF33	DRB30 X 21DP SG
<b>DOUBLE OVEN CABINETS WITH 2 BUTT DOORS AND 2 DRAWERS - 90" HIGH</b>								
OVD2790 AS BUTT 2DWR	2	DR1324 BUTT	1	S2724	2	DDF27	DDF27	DRB24 X 21DP SG
OVD3090 AS BUTT 2DWR	2	DR1524 BUTT	1	S3024	2	DDF30	DDF30	DRB27 X 21DP SG
OVD3390 AS BUTT 2DWR	2	DR1624 BUTT	1	S3324	2	DDF33	DDF33	DRB30 X 21DP SG
<b>DOUBLE OVEN CABINETS WITH 2 BUTT DOORS AND 2 DRAWERS - 93" HIGH</b>								
OVD2793 AS BUTT 2DWR	2	DR1327 BUTT	2	S2724	2	DDF27	DDF27	DRB24 X 21DP SG
OVD3093 AS BUTT 2DWR	2	DR1527 BUTT	2	S3024	2	DDF30	DDF30	DRB27 X 21DP SG
OVD3393 AS BUTT 2DWR	2	DR1627 BUTT	2	S3324	2	DDF33	DDF33	DRB30 X 21DP SG
<b>DOUBLE OVEN CABINETS WITH 2 BUTT DOORS AND 2 DRAWERS - 96" HIGH</b>								
OVD2796 AS BUTT 2DWR	2	DR1330 BUTT	2	S2724	2	DDF27	DDF27	DRB24 X 21DP SG
OVD3096 AS BUTT 2DWR	2	DR1530 BUTT	2	S3024	2	DDF30	DDF30	DRB27 X 21DP SG
OVD3396 AS BUTT 2DWR	2	DR1630 BUTT	2	S3324	2	DDF33	DDF33	DRB30 X 21DP SG
<b>OVEN MICROWAVE CABINET - 96" HIGH</b>								
OMC3396 AS OS BUTT	2	DR1624 BUTT	1	S3324	1	DDFOV33	DDF33	DRB30 X 21DP SG

SKU	Qty	DOOR		DRAWER FRONT/PANEL			DRAWER BODY
		Part Name	Qty	Full Overlay		Qty	
				Part Name	Part Name		
<b>VANITY BASE - 31 1/8" HIGH</b>							
VB12	1	DR1221V	1	DDF12	DDF12	1	DRB12 X 18DP SG
VB15	1	DR1521V	1	DDF15	DDF15	1	DRB15 X 18DP SG
VB18	1	DR1821V	1	DDF18	DDF18	1	DRB18 X 18DP SG
VB21	1	DR2121V	1	DDF21	DDF21	1	DRB21 X 18DP SG
VB24 BUTT	2	DR1221V BUTT	1	DDF24	DDF24	1	DRB24 X 18DP SG
VB27 BUTT	2	DR1321V BUTT	1	DDF27	DDF27	1	DRB27 X 18DP SG
VB30 BUTT	2	DR1521V BUTT	1	DDF30	DDF30	1	DRB30 X 18DP SG
VB33 BUTT	2	DR1621V BUTT	1	DDF33	DDF33	1	DRB33 X 18DP SG
VB36 BUTT	2	DR1821V BUTT	1	DDF36	DDF36	1	DRB36 X 18DP SG
<b>VANITY SINK BASE WITH TOP DRAWERS - 31 1/8" HIGH</b>							
VAN36 BUTT	2	DR1821V BUTT	3	DDF12	DDF12	2	DRB10 X 18DP SG
VAN39	2	DR1921V	2	DDF12	DDF12	2	DRB12 X 18DP SG
			1	DDF15	DDF15		
VAN42	2	DR2121V	2	DDF12	DDF12	2	DRB12 X 18DP SG
			1	DDF18	DDF18		
VAN48	2	DR1521V	2	DDF15	DDF15	2	DRB15 X 18DP SG
	1	DR1821V	1	DDF18	DDF18		
VAN54 BK BUTT	2	DR1221V	2	DDF12	DDF12	2	DRB12 X 18DP SG
	2	DR1521V BUTT	1	DDF30	DDF30		
VAN60 BK BUTT	2	DR1521V	2	DDF15	DDF15	2	DRB15 X 18DP SG
	2	DR1521V BUTT	1	DDF30	DDF30		
<b>VANITY COMBO SINK BASE - 18" DEEP X 31 1/8" HIGH</b>							
VSDB2418 BK	1	DR1221V	1	DDF12	DDF12	1	DRB12 X 15DP SG
			1	DDF12VD	DDF12D	1	DRB12M X 15DP SG
			1	DDF24	DDF24		
VSDB2718 BK	1	DR1521V	1	DDF12	DDF12	1	DRB12 X 15DP SG
			1	DDF12VD	DDF12D	1	DRB12M X 15DP SG
			1	DDF27	DDF27		
VSDB3018 BK	1	DR1821V	1	DDF12	DDF12	1	DRB12 X 15DP SG
			1	DDF12VD	DDF12D	1	DRB12M X 15DP SG
			1	DDF30	DDF30		
VSDB3318 BK	1	DR2121V	1	DDF12	DDF12	1	DRB12 X 15DP SG
			1	DDF12VD	DDF12D	1	DRB12M X 15DP SG
			1	DDF33	DDF33		
VSDB3618 BK	1	DR2121V	1	DDF15	DDF15	1	DRB15 X 15DP SG
			1	DDF15VD	DDF15D	1	DRB15M X 15DP SG
			1	DDF36	DDF36		



SKU	Qty	DOOR		DRAWER FRONT/PANEL		Qty	DRAWER BODY
		Part Name	Qty	Full Overlay	Partial Overlay		Part Name
				Part Name	Part Name		
<b>VANITY COMBO SINK BASE - 31 1/8" HIGH</b>							
VSDB24 BK	1	DR1221V	1	DDF12	DDF12	1	DRB12 X 18DP SG
				DDF12VD	DDF12D	1	DRB12M X 18DP SG
				DDF24	DDF24	1	
VSDB27 BK	1	DR1521V	1	DDF12	DDF12	1	DRB12 X 18DP SG
				DDF12VD	DDF12D	1	DRB12M X 18DP SG
				DDF27	DDF27	1	
VSDB30 BK	1	DR1821V	1	DDF12	DDF12	1	DRB12 X 18DP SG
				DDF12VD	DDF12D	1	DRB12M X 18DP SG
				DDF30	DDF30	1	
VSDB33 BK	1	DR2121V	1	DDF12	DDF12	1	DRB12 X 18DP SG
				DDF12VD	DDF12D	1	DRB12M X 18DP SG
				DDF33	DDF33	1	
VSDB36 BK	1	DR2121V	1	DDF15	DDF15	1	DRB15 X 18DP SG
				DDF15VD	DDF15D	1	DRB15M X 18DP SG
				DDF36	DDF36	1	
VSDB42 BK BUTT	2	DR1521V BUTT	1	DDF30	DDF30	2	DRB12 X 18DP SG
				DDF12	DDF12	1	DRB12M X 18DP SG
				DDF12VD	DDF12D	1	
VSDB48D BK BUTT	2	DR1221V BUTT	1	DDF24	DDF24	4	DRB12 X 18DP SG
				DDF12	DDF12	2	DRB12M X 18DP SG
				DDF12VD	DDF12D	2	
VSDB54D BK BUTT	2	DR1221V BUTT	1	DDF24	DDF24	4	DRB15 X 18DP SG
				DDF15	DDF15	2	DRB15M X 18DP SG
				DDF15VD	DDF15D	2	
VSDB60C BK BUTT	4	DR1221V BUTT	2	DDF24	DDF24	2	DRB12 X 18DP SG
				DDF12	DDF12	1	DRB12M X 18DP SG
				DDF12VD	DDF12D	1	
VSDB60D BK BUTT	2	DR1521V BUTT	1	DDF30	DDF30	4	DRB15 X 18DP SG
				DDF15	DDF15	2	DRB15M X 18DP SG
				DDF15VD	DDF15D	2	
<b>VANITY BASE - 34 1/2" HIGH</b>							
VB1234H	1	DR1224	1	DDF12	DDF12	1	DRB12 X 18DP SG
VB1534H	1	DR1524	1	DDF15	DDF15	1	DRB15 X 18DP SG
VB1834H	1	DR1824	1	DDF18	DDF18	1	DRB18 X 18DP SG
VB2134H	1	DR2124	1	DDF21	DDF21	1	DRB21 X 18DP SG
VB2434H BUTT	2	DR1224 BUTT	1	DDF24	DDF24	1	DRB24 X 18DP SG
VB2734H BUTT	2	DR1324 BUTT	1	DDF27	DDF27	1	DRB27 X 18DP SG
VB3034H BUTT	2	DR1524 BUTT	1	DDF30	DDF30	1	DRB30 X 18DP SG
VB3334H BUTT	2	DR1624 BUTT	1	DDF33	DDF33	1	DRB33 X 18DP SG
VB3634H BUTT	2	DR1824 BUTT	1	DDF36	DDF36	1	DRB36 X 18DP SG
<b>VANITY BASE WITH BOTTOM MOUNT WASTEBASKET - 34 1/2" HIGH</b>							
VWBB1834H	1	DR1824 ND	1	DDF18	DDF18	1	DRB18 X 18DP SG VWBB1834H_OL KIT
<b>VANITY SINK BASE WITH TOP DRAWERS - 34 1/2" HIGH</b>							
VAN3634H BUTT	2	DR1824 BUTT	3	DDF12	DDF12	2	DRB10 X 18DP SG
VAN4234H	2	DR2124	2	DDF12	DDF12	2	DRB12 X 18DP SG
			1	DDF18	DDF18	2	
VAN3934H	2	DR1924	2	DDF12	DDF12	2	DRB12 X 18DP SG
			1	DDF15	DDF15	2	
VAN4834H	2	DR1524	2	DDF15	DDF15	2	DRB15 X 18DP SG
			1	DDF18	DDF18	2	
VAN5434H BK BUTT	2	DR1224	2	DDF12	DDF12	2	DRB12 X 18DP SG
			2	DDF30	DDF30	2	
VAN6034H BK BUTT	2	DR1524	2	DDF15	DDF15	2	DRB15 X 18DP SG
			2	DDF30	DDF30	2	

SKU	Qty	DOOR		DRAWER FRONT/PANEL		Qty	DRAWER BODY
		Part Name	Qty	Full Overlay	Partial Overlay		Part Name
				Part Name	Part Name		
<b>VANITY COMBO SINK BASE - 18" DEEP X 34 1/2" HIGH</b>							
VSDB241834H BK	1	DR1224	2	DDF12M	DDF12D	2	DRB12M X 15DP SG
			1	DDF24	DDF24	1	
VSDB271834H BK	1	DR1524	2	DDF12M	DDF12D	2	DRB12M X 15DP SG
			1	DDF27	DDF27	1	
VSDB301834H BK	1	DR1824	2	DDF12M	DDF12D	2	DRB12M X 15DP SG
			1	DDF30	DDF30	1	
VSDB331834H BK	1	DR2124	2	DDF12M	DDF12D	2	DRB12M X 15DP SG
			1	DDF33	DDF33	1	
VSDB361834H BK	1	DR2124	2	DDF15M	DDF15D	2	DRB15M X 15DP SG
			1	DDF36	DDF36	1	
<b>VANITY COMBO SINK BASE - 34 1/2" HIGH</b>							
VSDB2434H BK	1	DR1224	2	DDF12M	DDF12D	2	DRB12M X 18DP SG
			1	DDF24	DDF24	1	
VSDB2734H BK	1	DR1524	2	DDF12M	DDF12D	2	DRB12M X 18DP SG
			1	DDF27	DDF27	1	
VSDB3034H BK	1	DR1824	2	DDF12M	DDF12D	2	DRB12M X 18DP SG
			1	DDF30	DDF30	1	
VSDB3334H BK	1	DR2124	2	DDF12M	DDF12D	2	DRB12M X 18DP SG
			1	DDF33	DDF33	1	
VSDB3634H BK	1	DR2124	2	DDF15M	DDF15D	2	DRB15M X 18DP SG
			1	DDF36	DDF36	1	
VSDB3934H BK	1	DR2124	1	DDF21	DDF21	2	DRB18M X 18DP SG
			1	DDF18	DDF18	2	
			2	DDF18M	DDF18D	2	
VSDB4234H BK BUTT	2	DR1524 BUTT	1	DDF30	DDF30	1	DRB12 X 18DP SG
			1	DDF12	DDF12	2	DRB12M X 18DP SG
			2	DDF12M	DDF12D	2	
VSDB4834HD BK BUTT	2	DR1224 BUTT	1	DDF24	DDF24	2	DRB12 X 18DP SG
			2	DDF12	DDF12	4	DRB12M X 18DP SG
			2	DDF12M	DDF12D	2	
			4	DDF12M	DDF12D	2	
VSDB5434HD BK BUTT	2	DR1224 BUTT	1	DDF24	DDF24	2	DRB15 X 18DP SG
			2	DDF15	DDF15	4	DRB15M X 18DP SG
			4	DDF15M	DDF15D	2	
			2	DDF15M	DDF15D	2	
VSDB6034HC BK BUTT	4	DR1224 BUTT	2	DDF24	DDF24	1	DRB12 X 18DP SG
			1	DDF12	DDF12	2	DRB12M X 18DP SG
			2	DDF12M	DDF12D	2	
VSDB6034HD BK BUTT	2	DR1524 BUTT	1	DDF30	DDF30	2	DRB15 X 18DP SG
			2	DDF15	DDF15	4	DRB15M X 18DP SG
			4	DDF15M	DDF15D	2	

SKU	Qty	DOOR	SPECIALTY DOOR	GLASS INSERT	Qty	ADJUSTABLE SHELF
		Part Name	Part Name	Part Name		*Part Name
		*For All Plywood Construction and/or Matching Interior Adjustable Shelf, refer to Parts Directory legend				
<b>VANITY LINEN WITH ADJUSTABLE SHELVES</b>						
VLC122184 AS	1 1	DR1230 DR1250	DR1230 SD	DGI-1230	5	S1221
VLC152184 AS	1 1	DR1530 DR1550	DR1530 SD	DGI-1530	5	S1521
VLC182184 AS	1 1	DR1830 DR1850	DR1830 SD	DGI-1830	5	S1821
VLC242184 AS BUTT	2 2	DR1230 BUTT DR1250 BUTT	DR1230 BUTT SD	DGI-1230 BUTT	5	S2421
<b>VANITY LINEN WITH SLIDING SHELVES</b>						
VLC122184 4SSK	1 1	DR1230 DR1250	DR1230 SD	DGI-1230	1 4	S1221 SSK1221
VLC152184 4SSK	1 1	DR1530 DR1550	DR1530 SD	DGI-1530	1 4	S1521 SSK1521
VLC182184 4SSK	1 1	DR1830 DR1850	DR1830 SD	DGI-1830	1 4	S1821 SSK1821
VLC242184 4SSK BUTT	2 2	DR1230 BUTT DR1250 BUTT	DR1230 BUTT SD	DGI-1230 BUTT	1 4	S2421 SSK2421
<b>MEDICINE CABINET</b>						
MC1530	1	DR1530	N/A	N/A	2	MC SHELF
MCM1530	1	DRMCM1530	N/A	N/A	2	MC SHELF
<b>TRI-VIEW MIRROR</b>						
TV3030	3	MIRROR TV3030	N/A	N/A	3 6	TV30 SHELF 9 TV30 SHELF 18
TV3630	3	MIRROR TV3630	N/A	N/A	3 6	TV36 SHELF 11 TV36 SHELF 22
<b>VALET CABINET</b>						
VC2436 BUTT	2	DR1224 BUTT	N/A	N/A	-	N/A

SKU	Qty	DOORS	
		Full Overlay	Partial Overlay
		Part Name	Part Name
<b>VANITY FULL HEIGHT BASE - 34 1/2" HIGH</b>			
VB1234H FH	1	DR12FH	DR1230
VB1534H FH	1	DR15FH	DR1530
VB1834H FH	1	DR18FH	DR1830
VB2434H BUTT FH	2	DR12BUTT FH	DR1230 BUTT
VB3034H BUTT FH	2	DR15BUTT FH	DR1530 BUTT
VB3634H BUTT FH	2	DR18BUTT FH	DR1830 BUTT

SKU	Qty	DOOR	Qty	DRAWER FRONT/PANEL
		Part Name		Part Name
<b>VANITY SINK BASE - 31 1/8" HIGH</b>				
VSB15	1	DR1521V	1	DDF15
VSB18	1	DR1821V	1	DDF18
VSB21	1	DR2121V	1	DDF21
VSB24 BUTT	2	DR1221V BUTT	1	DDF24
VSB27 BUTT	2	DR1321V BUTT	1	DDF27
VSB30 BUTT	2	DR1521V BUTT	1	DDF30
VSB33 BUTT	2	DR1621V BUTT	1	DDF33
VSB36 BUTT	2	DR1821V BUTT	1	DDF36
VSB39	2	DR1921V	2	DDF19
VSB42	2	DR2121V	2	DDF21
VSB48	2 1	DR1521V DR1821V	2 1	DDF15 DDF18
VSB54 BUTT	4	DR1321V BUTT	2	DDF27
VSB60 BUTT	4	DR1521V BUTT	2	DDF30
<b>VANITY SINK BASE - 18" DEEP X 31 1/8" HIGH</b>				
VSB2418 BUTT	2	DR1221V BUTT	1	DDF24
VSB3018 BUTT	2	DR1521V BUTT	1	DDF30
VSB3618 BUTT	2	DR1821V BUTT	1	DDF36
<b>VANITY SINK BASE - 34 1/2" HIGH</b>				
VSB1534H	1	DR1524	1	DDF15
VSB1834H	1	DR1824	1	DDF18
VSB2134H	1	DR2124	1	DDF21
VSB2434H BUTT	2	DR1224 BUTT	1	DDF24
VSB2734H BUTT	2	DR1324 BUTT	1	DDF27
VSB3034H BUTT	2	DR1524 BUTT	1	DDF30
VSB3334H BUTT	2	DR1624 BUTT	1	DDF33
VSB3634H BUTT	2	DR1824 BUTT	1	DDF36
VSB3934H	2	DR1924	2	DDF19
VSB4234H	2	DR2124	2	DDF21
VSB4834H	2 1	DR1524 DR1824	2 1	DDF15 DDF18
VSB5434H BUTT	4	DR1324 BUTT	2	DDF27
VSB6034H BUTT	4	DR1524 BUTT	2	DDF30
<b>VANITY SINK BASE - 18" DEEP X 34 1/2" HIGH</b>				
VSB243418H BUTT	2	DR1224 BUTT	1	DDF24
VSB303418H BUTT	2	DR1524 BUTT	1	DDF30
VSB363418H BUTT	2	DR1824 BUTT	1	DDF36
<b>VANITY SINK FRONT</b>				
VSF21	1	DR2121V	1	DDF21
VSF24 BUTT	2	DR1221V BUTT	1	DDF24
VSF30 BUTT	2	DR1521V BUTT	1	DDF30
VSF36 BUTT	2	DR1821V BUTT	1	DDF36
VSF39	2	DR1921V	2	DDF19
VSF42	2	DR2121V	2	DDF21
VSF48	2 1	DR1521V DR1821V	2 1	DDF15 DDF18
<b>VANITY PLUMBING SKIRT</b>				
VPS30 UD	-	N/A	1	DDFKDC33/27
VPS36 UD	-	N/A	1	DDFKDC36/33

SKU	Qty	DRAWER FRONT		DRAWER BODY
		Full Overlay	Partial Overlay	Part Name
		Part Name	Part Name	
<b>VANITY DRAWER BASE - 31 1/8" HIGH</b>				
VDB12	2 1	DDF12 DDF12VD	DDF12 DDF12D	DRB12 X 18DP SG DRB12M X 18DP SG
VDB15	2 1	DDF15 DDF15VD	DDF15 DDF15D	DRB15 X 18DP SG DRB15M X 18DP SG
VDB18	2 1	DDF18 DDF18VD	DDF18 DDF18D	DRB18 X 18DP SG DRB18M X 18DP SG
VDB21	2 1	DDF21 DDF21VD	DDF21 DDF21D	DRB21 X 18DP SG DRB21M X 18DP SG
VDB24	2 1	DDF24 DDF24VD	DDF24 DDF24D	DRB24 X 18DP SG DRB24M X 18DP SG
<b>VANITY DRAWER BASE - 34 1/2" HIGH</b>				
VDB1234H	1 2	DDF12 DDF12M	DDF12 DDF12D	DRB12 X 18DP SG DRB12M X 18DP SG
VDB1534H	1 2	DDF15 DDF15M	DDF15 DDF15D	DRB15 X 18DP SG DRB15M X 18DP SG
VDB1834H	1 2	DDF18 DDF18M	DDF18 DDF18D	DRB18 X 18DP SG DRB18M X 18DP SG
VDB2134H	1 2	DDF21 DDF21M	DDF21 DDF21D	DRB21 X 18DP SG DRB21M X 18DP SG
VDB2434H	1 2	DDF24 DDF24M	DDF24 DDF24D	DRB24 X 18DP SG DRB24M X 18DP SG

SKU	Qty	DOOR	Qty	SHELF	Qty	DRAWER FRONT	DRAWER BODY
		Part Name		*For All Plywood Construction Adjustable Shelf, refer to Parts Directory legend		Part Name	Part Name
				*Part Name			
<b>DESK DOOR - 21" DEEP</b>							
DDO1221	1	DR1218	1	12" SHELF 21DP 3/4	1	DDF12	DRB12 X 18DP SG
DDO1521	1	DR1518	1	15" SHELF 21DP 3/4	1	DDF15	DRB15 X 18DP SG
DDO1821	1	DR1818	1	18" SHELF 21DP 3/4	1	DDF18	DRB18 X 18DP SG
DDO2121	1	DR2118	1	21" SHELF 21DP 3/4	1	DDF21	DRB21 X 18DP SG
DDO2421 BUTT	2	DR1218 BUTT	1	24" SHELF 21DP 3/4	1	DDF24	DRB24 X 18DP SG
<b>DESK DOOR - 24" DEEP</b>							
DDO1224	1	DR1218	1	12" SHELF 24DP 3/4	1	DDF12	DRB12 X 21DP SG
DDO1524	1	DR1518	1	15" SHELF 24DP 3/4	1	DDF15	DRB15 X 21DP SG
DDO1824	1	DR1818	1	18" SHELF 24DP 3/4	1	DDF18	DRB18 X 21DP SG
DDO2124	1	DR2118	1	21" SHELF 24DP 3/4	1	DDF21	DRB21 X 21DP SG
DDO2424 BUTT	2	DR1218 BUTT	1	24" SHELF 24DP 3/4	1	DDF24	DRB24 X 21DP SG

SKU	Qty	DRAWER FRONT		DRAWER BODY
		Full Overlay	Partial Overlay	Part Name
		Part Name	Part Name	
<b>KNEEHOLE DRAWER CABINET</b>				
KDC27/21	1	DDFKDC27/21	DDFKDC27/21	DRBKDC27X 15DP DT SG
KDC33/27	1	DDFKDC33/27	DDFKDC33/27	DRBKDC33X 15DP DT SG
KDC36/33	1	DDFKDC36/33	DDFKDC36/33	DRBKDC36X 15DP DT SG
<b>DESK DRAWER BASE - 21" DEEP</b>				
DDR1221	2 1	DDF12 DDF12M	DDF12 DDF12D	DRB12 X 18DP SG DRB12M X 18DP SG
DDR1521	2 1	DDF15 DDF15M	DDF15 DDF15D	DRB15 X 18DP SG DRB15M X 18DP SG
DDR1821	2 1	DDF18 DDF18M	DDF18 DDF18D	DRB18 X 18DP SG DRB18M X 18DP SG
DDR2121	2 1	DDF21 DDF21M	DDF21 DDF21D	DRB21 X 18DP SG DRB21M X 18DP SG
DDR2421	2 1	DDF24 DDF24M	DDF24 DDF24D	DRB24 X 18DP SG DRB24M X 18DP SG
<b>DESK DRAWER BASE - 24" DEEP</b>				
DDR1224	2 1	DDF12 DDF12M	DDF12 DDF12D	DRB12 X 21DP SG DRB12M X 21DP SG
DDR1524	2 1	DDF15 DDF15M	DDF15 DDF15D	DRB15 X 21DP SG DRB15M X 21DP SG
DDR1824	2 1	DDF18 DDF18M	DDF18 DDF18D	DRB18 X 21DP SG DRB18M X 21DP SG
DDR2124	2 1	DDF21 DDF21M	DDF21 DDF21D	DRB21 X 21DP SG DRB21M X 21DP SG
DDR2424	2 1	DDF24 DDF24M	DDF24 DDF24D	DRB24 X 21DP SG DRB24M X 21DP SG
<b>DESK FILE PULL OUT CABINET</b>				
DFDC1821	1 1	DDF18 DR1818	DDF18 DR1818	DRB18 X 18DP DT FD DFDC FILE UNIT 21
DFDC1824	1 1	DDF18 DR1818	DDF18 DR1818	DRB18 X 21DP DT FD DFDC FILE UNIT 24
<b>FULL-HEIGHT DESK WITH BOTTOM MOUNT WASTEBASKET(S)</b>				
DWBB1821	1	DR1824 ND	DR1824 ND	DWBB1821_OL KIT
DWBB1824	1	DR1824 ND	DR1824 ND	DWBB1824_OL KIT

DOORS		
Specialty Doors, Solid Doors & ND Doors are the same dimension		
Part Name	Full Overlay	Partial Overlay
<b>50" High</b>		
DR1250	11 9/16" x 49 1/4"	9 7/8" x 47 3/4"
DR1250 BUTT	11 23/32" x 49 1/4"	10 15/16" x 47 3/4"
DR1350 BUTT	13 7/32" x 49 1/4"	12 7/16" x 47 3/4"
DR1550	14 9/16" x 49 1/4"	12 7/8" x 47 3/4"
DR1550 BUTT	14 23/32" x 49 1/4"	13 15/16" x 47 3/4"
DR1650 BUTT	16 7/32" x 49 1/4"	15 7/16" x 47 3/4"
DR1850	17 9/16" x 49 1/4"	15 7/8" x 47 3/4"
DR1850 BUTT	17 23/32" x 49 1/4"	16 15/16" x 47 3/4"
DR2150	20 9/16" x 49 1/4"	18 7/8" x 47 3/4"
<b>42" High</b>		
DR942	8 9/16" x 41 1/2"	6 7/8" x 40"
DR1242	11 9/16" x 41 1/2"	9 7/8" x 40"
DR1242 BUTT	11 23/32" x 41 1/2"	10 15/16" x 40"
DR1242 WER DRILL	10 3/4" x 41 1/2"	10" x 40"
DR1242 WER ND	10 3/4" x 41 1/2"	10" x 40"
DR1342 BUTT	13 7/32" x 41 1/2"	12 7/16" x 40"
DR1542	14 9/16" x 41 1/2"	12 7/8" x 40"
DR1542 BUTT	14 23/32" x 41 1/2"	13 15/16" x 40"
DR1642 BUTT	16 7/32" x 41 1/2"	15 7/16" x 40"
DR1842	17 9/16" x 41 1/2"	15 7/8" x 40"
DR1842 BUTT	17 23/32" x 41 1/2"	16 15/16" x 40"
DR1942	19 1/16" x 41 1/2"	17 3/8" x 40"
DR2142	20 9/16" x 41 1/2"	18 7/8" x 40"
<b>39" High</b>		
DR939	8 9/16" x 38 1/2"	6 7/8" x 37"
DR1239	11 9/16" x 38 1/2"	9 7/8" x 37"
DR1239 BUTT	11 23/32" x 38 1/2"	10 15/16" x 37"
DR1239 WER DRILL	10 3/4" x 38 1/2"	10" x 37"
DR1239 WER ND	10 3/4" x 38 1/2"	10" x 37"
DR1339 BUTT	13 7/32" x 38 1/2"	12 7/16" x 37"
DR1539	14 9/16" x 38 1/2"	12 7/8" x 37"
DR1539 BUTT	14 23/32" x 38 1/2"	13 15/16" x 37"
DR1639 BUTT	16 7/32" x 38 1/2"	15 7/16" x 37"
DR1839	17 9/16" x 38 1/2"	15 7/8" x 37"
DR1839 BUTT	17 23/32" x 38 1/2"	16 15/16" x 37"
DR2139	20 9/16" x 38 1/2"	18 7/8" x 37"
<b>36" High</b>		
DR936	8 9/16" x 35 1/2"	6 7/8" x 34"
DR1236	11 9/16" x 35 1/2"	9 7/8" x 34"
DR1236 BUTT	11 23/32" x 35 1/2"	10 15/16" x 34"
DR1236 WER DRILL	10 3/4" x 35 1/2"	10" x 34"
DR1236 WER ND	10 3/4" x 35 1/2"	10" x 34"
DR1336 BUTT	13 7/32" x 35 1/2"	12 7/16" x 34"
DR1536	14 9/16" x 35 1/2"	12 7/8" x 34"
DR1536 BUTT	14 23/32" x 35 1/2"	13 15/16" x 34"
DR1636 BUTT	16 7/32" x 35 1/2"	15 7/16" x 34"
DR1836	17 9/16" x 35 1/2"	15 7/8" x 34"
DR1836 BUTT	17 23/32" x 35 1/2"	16 15/16" x 34"
DR1936	19 1/16" x 35 1/2"	17 3/8" x 34"
DR2136	20 9/16" x 35 1/2"	18 7/8" x 34"

DOORS		
Specialty Doors, Solid Doors & ND Doors are the same dimension		
Part Name	Full Overlay	Partial Overlay
<b>30" High</b>		
DR930	8 9/16" x 29 1/2"	6 7/8" x 28"
DR930 BER DRILL	7 3/4" x 29 7/8"	7" x 28"
DR930 BER ND	7 3/4" x 29 7/8"	7" x 28"
DR1230	11 9/16" x 29 1/2"	9 7/8" x 28"
DR1230 BUTT	11 23/32" x 29 1/2"	10 15/16" x 28"
DR1230 BER DRILL	10 3/4" x 29 7/8"	10" x 28"
DR1230 BER ND	10 3/4" x 29 7/8"	10" x 28"
DR1230 WER DRILL	10 3/4" x 29 1/2"	10" x 28"
DR1230 WER ND	10 3/4" x 29 1/2"	10" x 28"
DR1330 BUTT	13 7/32" x 29 1/2"	12 7/16" x 28"
DR1530	14 9/16" x 29 1/2"	12 7/8" x 28"
DR1530 BUTT	14 23/32" x 29 1/2"	13 15/16" x 28"
DR1630 BUTT	16 7/32" x 29 1/2"	15 7/16" x 28"
DR1830	17 9/16" x 29 1/2"	15 7/8" x 28"
DR1830 BUTT	17 23/32" x 29 1/2"	16 15/16" x 28"
DR1930	19 1/16" x 29 1/2"	17 3/8" x 28"
DR2130	20 9/16" x 29 1/2"	18 7/8" x 28"
DR2430	23 9/16" x 29 1/2"	21 7/8" x 28"
<b>27" High</b>		
DR1327 BUTT	13 7/32" x 26 1/2"	12 7/16" x 25"
DR1527 BUTT	14 23/32" x 26 1/2"	13 15/16" x 25"
DR1627 BUTT	16 7/32" x 26 1/2"	15 7/16" x 25"
<b>24" High</b>		
DR1224	11 9/16" x 23 7/8"	9 7/8" x 22 3/8"
DR1224 BUTT	11 23/32" x 23 7/8"	10 15/16" x 22 3/8"
DR1324 BUTT	13 7/32" x 23 7/8"	12 7/16" x 22 3/8"
DR1524	14 9/16" x 23 7/8"	12 7/8" x 22 3/8"
DR1524 BUTT	14 23/32" x 23 7/8"	13 15/16" x 22 3/8"
DR1624 BUTT	16 7/32" x 23 7/8"	15 7/16" x 22 3/8"
DR1824	17 9/16" x 23 7/8"	15 7/8" x 22 3/8"
DR1824 BUTT	17 23/32" x 23 7/8"	16 15/16" x 22 3/8"
DR18.524 BUTT	18 7/32" x 23 7/8"	17 7/16" x 22 3/8"
DR1924	19 1/16" x 23 7/8"	17 3/8" x 22 3/8"
DR2124	20 9/16" x 23 7/8"	18 7/8" x 22 3/8"
DR2424	23 9/16" x 23 7/8"	21 7/8" x 22 3/8"
<b>21" High</b>		
DR1221V	11 9/16" x 20"	9 7/8" x 18 1/2"
DR1221V BUTT	11 23/32" x 20"	10 15/16" x 18 1/2"
DR1321V BUTT	13 7/32" x 20"	12 7/16" x 18 1/2"
DR1521 BUTT	14 23/32" x 20"	13 15/16" x 18 1/2"
DR1521V	14 9/16" x 20"	12 7/8" x 18 1/2"
DR1521V BUTT	14 23/32" x 20"	13 15/16" x 18 1/2"
DR1621 BUTT	16 7/32" x 20"	15 7/16" x 18 1/2"
DR1621V BUTT	16 7/32" x 20"	15 7/16" x 18 1/2"
DR1821 BUTT	17 23/32" x 20"	16 15/16" x 18 1/2"
DR1821V	17 9/16" x 20"	15 7/8" x 18 1/2"
DR1821V BUTT	17 23/32" x 20"	16 15/16" x 18 1/2"
DR18.521 BUTT	18 7/32" x 20"	17 7/16" x 18 1/2"
DR1921	19 1/16" x 20"	17 3/8" x 18 1/2"
DR1921V	19 1/16" x 20"	17 3/8" x 18 1/2"
DR2121V	20 9/16" x 20"	18 7/8" x 18 1/2"

DOORS		
Specialty Doors, Solid Doors & ND Doors are the same dimension		
Part Name	Full Overlay	Partial Overlay
<b>18" High</b>		
DR1218	11 9/16" x 17 1/2"	9 7/8" x 16"
DR1218 BUTT	11 23/32" x 17 1/2"	10 15/16" x 16"
DR1318 BUTT	13 7/32" x 17 1/2"	12 7/16" x 16"
DR1518	14 9/16" x 17 1/2"	12 7/8" x 16"
DR1518 BUTT	14 23/32" x 17 1/2"	13 15/16" x 16"
DR1618 BUTT	16 7/32" x 17 1/2"	15 7/16" x 16"
DR1818	17 9/16" x 17 1/2"	15 7/8" x 16"
DR1818 BUTT	17 23/32" x 17 1/2"	16 15/16" x 16"
DR18.518 BUTT	18 7/32" x 17 1/2"	17 7/16" x 16"
DR1918	19 1/16" x 17 1/2"	17 3/8" x 16"
DR2118	20 9/16" x 17 1/2"	18 7/8" x 16"
DR3018 WTH	29 1/2" x 17 9/16"	28" x 15 7/8"
DR3618 WTH	35 1/2" x 17 9/16"	34" x 15 7/8"
<b>15" High</b>		
DR1215	11 9/16" x 14 1/2"	9 7/8" x 13"
DR1215 BUTT	11 23/32" x 14 1/2"	10 15/16" x 13"
DR1315 BUTT	13 7/32" x 14 1/2"	12 7/16" x 13"
DR1515	14 9/16" x 14 1/2"	12 7/8" x 13"
DR1515 BUTT	14 23/32" x 14 1/2"	13 15/16" x 13"
DR1615 BUTT	16 7/32" x 14 1/2"	15 7/16" x 13"
DR1815	17 9/16" x 14 1/2"	15 7/8" x 13"
DR1815 BUTT	17 23/32" x 14 1/2"	16 15/16" x 13"
DR18.515 BUTT	18 7/32" x 14 1/2"	17 7/16" x 13"
DR1915	19 1/16" x 14 1/2"	17 3/8" x 13"
DR2115	20 9/16" x 14 1/2"	18 7/8" x 13"
DR3015 WTH	29 1/2" x 14 9/16"	28" x 12 7/8"
DR3615 WTH	35 1/2" x 14 9/16"	34" x 12 7/8"
<b>12" High</b>		
DR1212	11 9/16" x 11 1/2"	9 7/8" x 10"
DR1212 BUTT	11 23/32" x 11 1/2"	10 15/16" x 10"
DR1312 BUTT	13 7/32" x 11 1/2"	12 7/16" x 10"
DR1512	14 9/16" x 11 1/2"	12 7/8" x 10"
DR1512 BUTT	14 23/32" x 11 1/2"	13 15/16" x 10"
DR1612 BUTT	16 7/32" x 11 1/2"	15 7/16" x 10"
DR1812	17 9/16" x 11 1/2"	15 7/8" x 10"
DR1812 BUTT	17 23/32" x 11 1/2"	16 15/16" x 10"
DR18.512 BUTT	18 7/32" x 11 1/2"	17 7/16" x 10"
DR1912	19 1/16" x 11 1/2"	17 3/8" x 10"
DR2112	20 9/16" x 11 1/2"	18 7/8" x 10"
DR4212 WTH	41 1/2" x 11 9/16"	40" x 9 7/8"
DR4212 WTH	41 1/2" x 11 9/16"	40" x 9 7/8"
<b>Miscellaneous Doors</b>		
DRMCM1530	14 9/16" x 29 1/2"	12 7/8" x 28"
MIRROR TV3030	8 13/16" x 26 1/2"	8 13/16" x 26 1/2"
MIRROR TV3630	10 13/16" x 26 1/2"	10 13/16" x 26 1/2"

DOORS		
Specialty Doors, Solid Doors & ND Doors are the same dimension		
Part Name	Full Overlay	Partial Overlay
<b>Full-Height Doors</b>		
DR9FH	8 9/16" x 29 7/8"	-
DR12FH	11 9/16" x 29 7/8"	-
DR12BUTT FH	11 23/32" x 29 7/8"	-
DR13BUTT FH	13 7/32" x 29 7/8"	-
DR15FH	14 9/16" x 29 7/8"	-
DR15BUTT FH	14 23/32" x 29 7/8"	-
DR16BUTT FH	16 7/32" x 29 7/8"	-
DR18FH	17 9/16" x 29 7/8"	-
DR18BUTT FH	17 23/32" x 29 7/8"	-
DR21FH	20 9/16" x 29 7/8"	-
DR24FH	23 9/16" x 29 7/8"	-
DRCBS36	14 9/16" x 29 7/8"	12 7/8" x 28"
<b>Decorator Doors</b>		
DMDDB	23 9/16" x 29 7/8"	21 7/8" x 28"
DMDBEA12	11 9/16" x 29 7/8"	9 7/8" x 28"
DMDD21	20 9/16" x 23 7/8"	18 7/8" x 22 3/8"
DMDD24	23 9/16" x 23 7/8"	21 7/8" x 22 3/8"
DMDW18	11 9/16" x 17 1/2"	9 7/8" x 16"
DMDW24	11 9/16" x 23 7/8"	9 7/8" x 22 3/8"
DMDW30	11 9/16" x 29 1/2"	9 7/8" x 28"
DMDW36	11 9/16" x 35 1/2"	9 7/8" x 34"
DMDW39	11 9/16" x 38 1/2"	9 7/8" x 37"
DMDW42	11 9/16" x 41 1/2"	9 7/8" x 40"
DMDV	20 9/16" x 20" 20 9/16" x 5 13/16"	18 7/8" x 17 7/8" 18 7/8" x 5 1/8"
DMDT8412	11 9/16" x 29 1/2" 11 9/16" x 49 1/4"	9 7/8" x 28" 9 7/8" x 47 3/4"
DMDT8424	11 9/16" x 29 1/2" 11 9/16" x 49 1/4"	9 7/8" x 28" 9 7/8" x 47 3/4"
DMDT9012	11 9/16" x 35 1/2" 11 9/16" x 49 1/4"	9 7/8" x 34" 9 7/8" x 47 3/4"
DMDT9024	11 9/16" x 35 1/2" 11 9/16" x 49 1/4"	9 7/8" x 34" 9 7/8" x 47 3/4"
DMDT9312	11 9/16" x 38 1/2" 11 9/16" x 49 1/4"	9 7/8" x 37" 9 7/8" x 47 3/4"
DMDT9324	11 9/16" x 38 1/2" 11 9/16" x 49 1/4"	9 7/8" x 37" 9 7/8" x 47 3/4"
DMDT9612	11 9/16" x 41 1/2" 11 9/16" x 49 1/4"	9 7/8" x 40" 9 7/8" x 47 3/4"
DMDT9624	11 9/16" x 41 1/2" 11 9/16" x 49 1/4"	9 7/8" x 40" 9 7/8" x 47 3/4"

SHELVES	
Part Name	Dimensions
<b>3/4" Shelves</b>	
9" SHELF 3/4	7 1/4" x 10 1/4" x 3/4"
12" SHELF 3/4	10 1/4" x 10 1/4" x 3/4"
15" SHELF 3/4	13 1/4" x 10 1/4" x 3/4"
18" SHELF 3/4	16 1/4" x 10 1/4" x 3/4"
21" SHELF 3/4	19 1/4" x 10 1/4" x 3/4"
24" SHELF 3/4	22 1/4" x 10 1/4" x 3/4"
27" SHELF 3/4	25 1/4" x 10 1/4" x 3/4"
30" SHELF 3/4	28 1/4" x 10 1/4" x 3/4"
33" SHELF 3/4	31 1/4" x 10 1/4" x 3/4"
36" SHELF 3/4	34 1/4" x 10 1/4" x 3/4"
39" SHELF 3/4	37 1/4" x 10 1/4" x 3/4"
42" SHELF 3/4	40 1/4" x 10 1/4" x 3/4"
45" SHELF 3/4	43 1/4" x 10 1/4" x 3/4"
48" SHELF 3/4	46 1/4" x 10 1/4" x 3/4"
12" SHELF PB 3/4	10 3/16" x 22 1/8" x 3/4"
18" SHELF PB 3/4	16 3/16" x 22 1/8" x 3/4"
24" SHELF PB 3/4	22 3/16" x 22 1/8" x 3/4"
24" SHELF PB 3/4	22 3/16" x 22 1/8" x 3/4"
30" SHELF PB 3/4	28 3/16" x 22 1/8" x 3/4"
36" SHELF PB 3/4	34 3/16" x 22 1/8" x 3/4"
42" SHELF PB 3/4	40 3/16" x 22 1/8" x 3/4"
S1212	10 1/4" x 10 1/4" x 3/4"
S1512	13 1/4" x 10 1/4" x 3/4"
S1812	16 1/4" x 10 1/4" x 3/4"
S2112	19 1/4" x 10 1/4" x 3/4"
S2412	22 1/4" x 10 1/4" x 3/4"
S3612	34 1/4" x 10 1/4" x 3/4"
S1221	10 3/16" x 18 7/8" x 3/4"
S1521	13 3/16" x 18 7/8" x 3/4"
S1821	16 3/16" x 18 7/8" x 3/4"
S2421	22 3/16" x 18 7/8" x 3/4"
S924	7 3/16" x 22 1/8" x 3/4"
S1224	10 3/16" x 22 1/8" x 3/4"
S1524	13 3/16" x 22 1/8" x 3/4"
S1824	16 3/16" x 22 1/8" x 3/4"
S2124	19 3/16" x 22 1/8" x 3/4"
S2424	22 3/16" x 22 1/8" x 3/4"
S2724	25 3/16" x 22 1/8" x 3/4"
S3024	28 3/16" x 22 1/8" x 3/4"
S3324	31 3/16" x 22 1/8" x 3/4"
S3624	34 3/16" x 22 1/8" x 3/4"
<b>Miscellaneous Shelves</b>	
BS18 SHELF _PK	16 1/4" x 10 1/4" x 23/32"
BS24 SHELF _PK	22 1/4" x 10 1/4" x 23/32"
BS30 SHELF _PK	28 1/4" x 10 1/4" x 23/32"
BS36 SHELF _PK	34 1/4" x 10 1/4" x 23/32"
TV30 SHELF 9	8 7/8" x 3" x 1/2"
TV30 SHELF 18	17 9/32" x 3" x 1/2"
TV36 SHELF 11	10 7/8" x 3" x 1/2"
TV36 SHELF 22	21 9/32" x 3" x 1/2"
WMSC2718 TOP SHELF	25 1/4" x 16 1/4" x 3/4"

## SLIDING ACCESSORIES

Part Name	Dimensions
<b>Sliding Shelves</b>	
SSK12	8 1/2" x 21 3/16" x 2"
SSK15	11 1/2" x 21 3/16" x 2"
SSK18	14 1/2" x 21 3/16" x 2"
SSK19	16" x 21 3/16" x 2"
SSK21	17 1/2" x 21 3/16" x 2"
SSK24	20 1/2" x 21 3/16" x 2"
SSK27	23 1/2" x 21 3/16" x 2"
SSK30	26 1/2" x 21 3/16" x 2"
SSK33	29 1/2" x 21 3/16" x 2"
SSK36	32 1/2" x 21 3/16" x 2"
SSK1221	8 1/2" x 18 3/16" x 2"
SSK1521	11 1/2" x 18 3/16" x 2"
SSK1821	14 1/2" x 18 3/16" x 2"
SSK2421	20 1/2" x 18 3/16" x 2"
<b>Base Pot &amp; Pan Organizers</b>	
BPPOKCC24	19 3/4" x 19" x 21"
BPPOKCC27	22 3/4" x 19" x 21"
BPPOKCC30	25 3/4" x 19" x 21"
BPPOKCC33	28 3/4" x 19" x 21"
BPPOKCC36	31 3/4" x 19" x 21"
<b>Roll-Out Tray Dividers</b>	
ROTDKCC12	7 3/4" x 21"
ROTDKCC15	10 3/4" x 21"

## DRAWER FRONTS

Part Name	Full Overlay	Partial Overlay
<b>Standard Drawer Front</b>		
DDF12	11 9/16" x 5 13/16"	9 7/8" x 5 1/8"
DDF15	14 9/16" x 5 13/16"	12 7/8" x 5 1/8"
DDF18	17 9/16" x 5 13/16"	15 7/8" x 5 1/8"
DDF19	19 1/16" x 5 13/16"	17 3/8" x 5 1/8"
DDF21	20 9/16" x 5 13/16"	18 7/8" x 5 1/8"
DDF24	23 9/16" x 5 13/16"	21 7/8" x 5 1/8"
DDF27	26 9/16" x 5 13/16"	24 7/8" x 5 1/8"
DDF30	29 9/16" x 5 13/16"	27 7/8" x 5 1/8"
DDF33	32 9/16" x 5 13/16"	30 7/8" x 5 1/8"
DDF36	35 9/16" x 5 13/16"	33 7/8" x 5 1/8"
DDF18 DRILL	17 9/16" x 5 13/16"	15 7/8" x 5 1/8"
DDF19 DRILL	19 1/16" x 5 13/16"	17 3/8" x 5 1/8"
DDF21 DRILL	20 9/16" x 5 13/16"	18 7/8" x 5 1/8"
DDF24 DRILL	23 9/16" x 5 13/16"	21 7/8" x 5 1/8"
DDF27 DRILL	26 9/16" x 5 13/16"	24 7/8" x 5 1/8"
DDF30 DRILL	29 9/16" x 5 13/16"	27 7/8" x 5 1/8"
DDF33 DRILL	32 9/16" x 5 13/16"	30 7/8" x 5 1/8"
DDFOV27	26 9/16" x 7 7/16"	-
DDFOV30	29 9/16" x 7 7/16"	-
DDFOV33	32 9/16" x 7 7/16"	-
<b>Large Drawer Front</b>		
DDF12D	-	9 7/8" x 10 13/16"
DDF12M	11 9/16" x 11 27/32"	-
DDF12VD	11 9/16" x 13 3/8"	-
DDF15D	-	12 7/8" x 10 13/16"
DDF15M	14 9/16" x 11 27/32"	-
DDF15VD	14 9/16" x 13 3/8"	-
DDF18D	-	15 7/8" x 10 13/16"
DDF18M	17 9/16" x 11 27/32"	-
DDF18VD	17 9/16" x 13 3/8"	-
DDF21D	-	18 7/8" x 10 13/16"
DDF21M	20 9/16" x 11 27/32"	-
DDF21VD	20 9/16" x 13 3/8"	-
DDF24D	-	21 7/8" x 10 13/16"
DDF24M	23 9/16" x 11 27/32"	-
DDF24VD	23 9/16" x 13 3/8"	-
DDF27D	-	24 7/8" x 10 13/16"
DDF27M	26 9/16" x 11 27/32"	-
DDF30D	-	27 7/8" x 10 13/16"
DDF30M	29 9/16" x 11 27/32"	-
DDF33D	-	30 7/8" x 10 13/16"
DDF33M	32 9/16" x 11 27/32"	-
DDF36D	-	33 7/8" x 10 13/16"
DDF36M	35 9/16" x 11 27/32"	-
<b>2DB Drawer Front</b>		
DDF21 2DB	20 9/16" x 14 27/32"	18 7/8" x 13 13/16"
DDF24 2DB	23 9/16" x 14 27/32"	21 7/8" x 13 13/16"
DDF27 2DB	26 9/16" x 14 27/32"	24 7/8" x 13 13/16"
DDF30 2DB	29 9/16" x 14 27/32"	27 7/8" x 13 13/16"
DDF33 2DB	31 9/16" x 14 27/32"	30 7/8" x 13 13/16"
DDF36 2DB	35 9/16" x 14 27/32"	33 7/8" x 13 13/16"
<b>Miscellaneous Drawer Front</b>		
DDFKDC27/21	20 9/16" x 4 7/16"	18 7/8" x 3 3/4"
DDFKDC33/27	26 9/16" x 4 7/16"	24 7/8" x 3 3/4"
DDFKDC36/33	32 9/16" x 4 7/16"	30 7/8" x 3 3/4"
DDF SDC	5 11/16" x 5 1/2" x 1/2"	5 11/16" x 5 1/2" x 1/2"

DRAWER BODIES	
Part Name	Dimensions
<b>Standard "SG" Drawer Bodies</b>	
<b>21" Deep</b>	
DRB12 X 21DP SG	8 1/16" x 3 1/2" x 21"
DRB15 X 21DP SG	11 1/16" x 3 1/2" x 21"
DRB18 X 21DP SG	14 1/16" x 3 1/2" x 21"
DRB19 X 21DP SG	15 9/16" x 3 1/2" x 21"
DRB21 X 21DP SG	17 1/16" x 3 1/2" x 21"
DRB24 X 21DP SG	20 1/16" x 3 1/2" x 21"
DRB27 X 21DP SG	23 1/16" x 3 1/2" x 21"
DRB30 X 21DP SG	26 1/16" x 3 1/2" x 21"
DRB33 X 21DP SG	29 1/16" x 3 1/2" x 21"
DRB36 X 21DP SG	32 1/16" x 3 1/2" x 21"
<b>18" Deep</b>	
DRB12 X 18DP SG	8 1/16" x 3 1/2" x 18"
DRB15 X 18DP SG	11 1/16" x 3 1/2" x 18"
DRB18 X 18DP SG	14 1/16" x 3 1/2" x 18"
DRB19 X 18DP SG	15 9/16" x 3 1/2" x 18"
DRB21 X 18DP SG	17 1/16" x 3 1/2" x 18"
DRB24 X 18DP SG	20 1/16" x 3 1/2" x 18"
DRB27 X 18DP SG	23 1/16" x 3 1/2" x 18"
DRB30 X 18DP SG	26 1/16" x 3 1/2" x 18"
DRB33 X 18DP SG	29 1/16" x 3 1/2" x 18"
DRB36 X 18DP SG	32 1/16" x 3 1/2" x 18"
<b>15" Deep</b>	
DRB12 X 15DP SG	8 1/16" x 3 1/2" x 15"
DRB15 X 15DP SG	11 1/16" x 3 1/2" x 15"
DRB18 X 15DP SG	14 1/16" x 3 1/2" x 15"
DRB19 X 15DP SG	15 9/16" x 3 1/2" x 15"
DRB21 X 15DP SG	17 1/16" x 3 1/2" x 15"
DRB24 X 15DP SG	20 1/16" x 3 1/2" x 15"
DRB27 X 15DP SG	23 1/16" x 3 1/2" x 15"
DRB30 X 15DP SG	26 1/16" x 3 1/2" x 15"
DRB33 X 15DP SG	29 1/16" x 3 1/2" x 15"
DRB36 X 15DP SG	32 1/16" x 3 1/2" x 15"
<b>12" Deep</b>	
DRB12 X 12DP SG	8 1/16" x 3 1/2" x 12"
DRB15 X 12DP SG	11 1/16" x 3 1/2" x 12"
DRB18 X 12DP SG	14 1/16" x 3 1/2" x 12"
DRB19 X 12DP SG	15 9/16" x 3 1/2" x 12"
DRB21 X 12DP SG	17 1/16" x 3 1/2" x 12"
DRB24 X 12DP SG	20 1/16" x 3 1/2" x 12"
DRB27 X 12DP SG	23 1/16" x 3 1/2" x 12"
DRB30 X 12DP SG	26 1/16" x 3 1/2" x 12"
DRB33 X 12DP SG	29 1/16" x 3 1/2" x 12"
DRB36 X 12DP SG	32 1/16" x 3 1/2" x 12"
<b>9" Deep</b>	
DRB12 X 9DP SG	8 1/16" x 3 1/2" x 9"
DRB15 X 9DP SG	11 1/16" x 3 1/2" x 9"
DRB18 X 9DP SG	14 1/16" x 3 1/2" x 9"
DRB19 X 9DP SG	15 9/16" x 3 1/2" x 9"
DRB21 X 9DP SG	17 1/16" x 3 1/2" x 9"
DRB24 X 9DP SG	20 1/16" x 3 1/2" x 9"
DRB27 X 9DP SG	23 1/16" x 3 1/2" x 9"
DRB30 X 9DP SG	26 1/16" x 3 1/2" x 9"
DRB33 X 9DP SG	29 1/16" x 3 1/2" x 9"
DRB36 X 9DP SG	32 1/16" x 3 1/2" x 9"

DRAWER BODIES	
Part Name	Dimensions
<b>Large "SG" Drawer Bodies</b>	
<b>21" Deep</b>	
DRB12M X 21DP SG	7 23/32" x 7 3/4" x 21"
DRB15M X 21DP SG	10 23/32" x 7 3/4" x 21"
DRB18M X 21DP SG	13 23/32" x 7 3/4" x 21"
DRB21M X 21DP SG	16 23/32" x 7 3/4" x 21"
DRB24M X 21DP SG	19 23/32" x 7 3/4" x 21"
DRB27M X 21DP SG	22 23/32" x 7 3/4" x 21"
DRB30M X 21DP SG	25 23/32" x 7 3/4" x 21"
DRB33M X 21DP SG	28 23/32" x 7 3/4" x 21"
DRB36M X 21DP SG	31 23/32" x 7 3/4" x 21"
<b>18" Deep</b>	
DRB12M X 18DP SG	7 23/32" x 7 3/4" x 18"
DRB15M X 18DP SG	10 23/32" x 7 3/4" x 18"
DRB18M X 18DP SG	13 23/32" x 7 3/4" x 18"
DRB21M X 18DP SG	16 23/32" x 7 3/4" x 18"
DRB24M X 18DP SG	19 23/32" x 7 3/4" x 18"
DRB27M X 18DP SG	22 23/32" x 7 3/4" x 18"
DRB30M X 18DP SG	25 23/32" x 7 3/4" x 18"
DRB33M X 18DP SG	28 23/32" x 7 3/4" x 18"
DRB36M X 18DP SG	31 23/32" x 7 3/4" x 18"
<b>15" Deep</b>	
DRB12M X 15DP SG	7 23/32" x 7 3/4" x 15"
DRB15M X 15DP SG	10 23/32" x 7 3/4" x 15"
DRB18M X 15DP SG	13 23/32" x 7 3/4" x 15"
DRB21M X 15DP SG	16 23/32" x 7 3/4" x 15"
DRB24M X 15DP SG	19 23/32" x 7 3/4" x 15"
DRB27M X 15DP SG	22 23/32" x 7 3/4" x 15"
DRB30M X 15DP SG	25 23/32" x 7 3/4" x 15"
DRB33M X 15DP SG	28 23/32" x 7 3/4" x 15"
DRB36M X 15DP SG	31 23/32" x 7 3/4" x 15"
<b>12" Deep</b>	
DRB12M X 12DP SG	7 23/32" x 7 3/4" x 12"
DRB15M X 12DP SG	10 23/32" x 7 3/4" x 12"
DRB18M X 12DP SG	13 23/32" x 7 3/4" x 12"
DRB21M X 12DP SG	16 23/32" x 7 3/4" x 12"
DRB24M X 12DP SG	19 23/32" x 7 3/4" x 12"
DRB27M X 12DP SG	22 23/32" x 7 3/4" x 12"
DRB30M X 12DP SG	25 23/32" x 7 3/4" x 12"
DRB33M X 12DP SG	28 23/32" x 7 3/4" x 12"
DRB36M X 12DP SG	31 23/32" x 7 3/4" x 12"
<b>9" Deep</b>	
DRB12M X 9DP SG	7 23/32" x 7 3/4" x 9"
DRB15M X 9DP SG	10 23/32" x 7 3/4" x 9"
DRB18M X 9DP SG	13 23/32" x 7 3/4" x 9"
DRB21M X 9DP SG	16 23/32" x 7 3/4" x 9"
DRB24M X 9DP SG	19 23/32" x 7 3/4" x 9"
DRB27M X 9DP SG	22 23/32" x 7 3/4" x 9"
DRB30M X 9DP SG	25 23/32" x 7 3/4" x 9"
DRB33M X 9DP SG	28 23/32" x 7 3/4" x 9"

DRAWER BODIES	
Part Name	Dimensions
<b>2 Drawer Base</b>	
DRB21 HD X 21DPDTFD	17 1/32" x 7" x 21"
DRB24 HD X 21DPDTFD	20 1/32" x 7" x 21"
DRB27 HD X 21DPDTFD	23 1/32" x 7" x 21"
DRB30 HD X 21DPDTFD	26 1/32" x 7" x 21"
DRB33 HD X 21DPDTFD	29 1/32" x 7" x 21"
DRB36 HD X 21DPDTFD	32 1/32" x 7" x 21"
<b>Kneehole Drawer</b>	
DRBKDC27X 15DP DT FD	16 23/32" x 2 11/32" x 15"
DRBKDC33X 15DP DT FD	22 23/32" x 2 11/32" x 15"
DRBKDC36X 15DP DT FD	28 23/32" x 2 11/32" x 15"
<b>Miscellaneous</b>	
DRB6 BSDC6	4 29/32" x 22 15/16" x 4 3/4"
DRB6 SDC30	4 29/32" x 10 15/16" x 4 3/4"
DRB6 SDC30	4 29/32" x 10 15/16" x 4 3/4"
DRB6 SDC30	4 29/32" x 10 15/16" x 4 3/4"
DRB6 SDC30	4 29/32" x 10 15/16" x 4 3/4"

DRAWER BODIES	
Part Name	Dimensions
<b>Upgraded "FD" Drawer Bodies</b>	
<b>21" Deep</b>	
DRB12 X 21DP DT FD	8 1/16" x 3 1/2" x 21"
DRB15 X 21DP DT FD	11 1/16" x 3 1/2" x 21"
DRB18 X 21DP DT FD	14 1/16" x 3 1/2" x 21"
DRB19 X 21DP DT FD	15 9/16" x 3 1/2" x 21"
DRB21 X 21DP DT FD	17 1/16" x 3 1/2" x 21"
DRB24 X 21DP DT FD	20 1/16" x 3 1/2" x 21"
DRB27 X 21DP DT FD	23 1/16" x 3 1/2" x 21"
DRB30 X 21DP DT FD	26 1/16" x 3 1/2" x 21"
DRB33 X 21DP DT FD	29 1/16" x 3 1/2" x 21"
DRB36 X 21DP DT FD	32 1/16" x 3 1/2" x 21"
<b>18" Deep</b>	
DRB12 X 18DP DT FD	8 1/16" x 3 1/2" x 18"
DRB15 X 18DP DT FD	11 1/16" x 3 1/2" x 18"
DRB18 X 18DP DT FD	14 1/16" x 3 1/2" x 18"
DRB19 X 18DP DT FD	15 9/16" x 3 1/2" x 18"
DRB21 X 18DP DT FD	17 1/16" x 3 1/2" x 18"
DRB24 X 18DP DT FD	20 1/16" x 3 1/2" x 18"
DRB27 X 18DP DT FD	23 1/16" x 3 1/2" x 18"
DRB30 X 18DP DT FD	26 1/16" x 3 1/2" x 18"
DRB33 X 18DP DT FD	29 1/16" x 3 1/2" x 18"
DRB36 X 18DP DT FD	32 1/16" x 3 1/2" x 18"
<b>15" Deep</b>	
DRB12 X 15DP DT FD	8 1/16" x 3 1/2" x 15"
DRB15 X 15DP DT FD	11 1/16" x 3 1/2" x 15"
DRB18 X 15DP DT FD	14 1/16" x 3 1/2" x 15"
DRB19 X 15DP DT FD	15 9/16" x 3 1/2" x 15"
DRB21 X 15DP DT FD	17 1/16" x 3 1/2" x 15"
DRB24 X 15DP DT FD	20 1/16" x 3 1/2" x 15"
DRB27 X 15DP DT FD	23 1/16" x 3 1/2" x 15"
DRB30 X 15DP DT FD	26 1/16" x 3 1/2" x 15"
DRB33 X 15DP DT FD	29 1/16" x 3 1/2" x 15"
DRB36 X 15DP DT FD	32 1/16" x 3 1/2" x 15"
<b>12" Deep</b>	
DRB12 X 12DP DT FD	8 1/16" x 3 1/2" x 12"
DRB15 X 12DP DT FD	11 1/16" x 3 1/2" x 12"
DRB18 X 12DP DT FD	14 1/16" x 3 1/2" x 12"
DRB19 X 12DP DT FD	15 9/16" x 3 1/2" x 12"
DRB21 X 12DP DT FD	17 1/16" x 3 1/2" x 12"
DRB24 X 12DP DT FD	20 1/16" x 3 1/2" x 12"
DRB27 X 12DP DT FD	23 1/16" x 3 1/2" x 12"
DRB30 X 12DP DT FD	26 1/16" x 3 1/2" x 12"
DRB33 X 12DP DT FD	29 1/16" x 3 1/2" x 12"
DRB36 X 12DP DT FD	32 1/16" x 3 1/2" x 12"
<b>9" Deep</b>	
DRB12 X 9DP DT FD	8 1/16" x 3 1/2" x 9"
DRB15 X 9DP DT FD	11 1/16" x 3 1/2" x 9"
DRB18 X 9DP DT FD	14 1/16" x 3 1/2" x 9"
DRB19 X 9DP DT FD	15 9/16" x 3 1/2" x 9"
DRB21 X 9DP DT FD	17 1/16" x 3 1/2" x 9"
DRB24 X 9DP DT FD	20 1/16" x 3 1/2" x 9"
DRB27 X 9DP DT FD	23 1/16" x 3 1/2" x 9"
DRB30 X 9DP DT FD	26 1/16" x 3 1/2" x 9"
DRB33 X 9DP DT FD	29 1/16" x 3 1/2" x 9"
DRB36 X 9DP DT FD	32 1/16" x 3 1/2" x 9"

DRAWER BODIES	
Part Name	Dimensions
<b>Upgraded Large "FD" Drawer Bodies</b>	
<b>21" Deep</b>	
DRB12M X 21DP DT FD	8 1/16" x 7" x 21"
DRB15M X 21DP DT FD	11 1/16" x 7" x 21"
DRB18M X 21DP DT FD	14 1/16" x 7" x 21"
DRB21M X 21DP DT FD	17 1/16" x 7" x 21"
DRB24M X 21DP DT FD	20 1/16" x 7" x 21"
DRB27M X 21DP DT FD	23 1/16" x 7" x 21"
DRB30M X 21DP DT FD	26 1/16" x 7" x 21"
DRB33M X 21DP DT FD	29 1/16" x 7" x 21"
DRB36M X 21DP DT FD	32 1/16" x 7" x 21"
<b>18" Deep</b>	
DRB12M X 18DP DT FD	8 1/16" x 7" x 18"
DRB15M X 18DP DT FD	11 1/16" x 7" x 18"
DRB18M X 18DP DT FD	14 1/16" x 7" x 18"
DRB21M X 18DP DT FD	17 1/16" x 7" x 18"
DRB24M X 18DP DT FD	20 1/16" x 7" x 18"
DRB27M X 18DP DT FD	23 1/16" x 7" x 18"
DRB30M X 18DP DT FD	26 1/16" x 7" x 18"
DRB33M X 18DP DT FD	29 1/16" x 7" x 18"
DRB36M X 18DP DT FD	32 1/16" x 7" x 18"
<b>15" Deep</b>	
DRB12M X 15DP DT FD	8 1/16" x 7" x 15"
DRB15M X 15DP DT FD	11 1/16" x 7" x 15"
DRB18M X 15DP DT FD	14 1/16" x 7" x 15"
DRB21M X 15DP DT FD	17 1/16" x 7" x 15"
DRB24M X 15DP DT FD	20 1/16" x 7" x 15"
DRB27M X 15DP DT FD	23 1/16" x 7" x 15"
DRB30M X 15DP DT FD	26 1/16" x 7" x 15"
DRB33M X 15DP DT FD	29 1/16" x 7" x 15"
DRB36M X 15DP DT FD	32 1/16" x 7" x 15"
<b>12" Deep</b>	
DRB12M X 12DP DT FD	8 1/16" x 7" x 12"
DRB15M X 12DP DT FD	11 1/16" x 7" x 12"
DRB18M X 12DP DT FD	14 1/16" x 7" x 12"
DRB21M X 12DP DT FD	17 1/16" x 7" x 12"
DRB24M X 12DP DT FD	20 1/16" x 7" x 12"
DRB27M X 12DP DT FD	23 1/16" x 7" x 12"
DRB30M X 12DP DT FD	26 1/16" x 7" x 12"
DRB33M X 12DP DT FD	29 1/16" x 7" x 12"
DRB36M X 12DP DT FD	32 1/16" x 7" x 12"
<b>9" Deep</b>	
DRB12M X 9DP DT FD	8 1/16" x 7" x 9"
DRB15M X 9DP DT FD	11 1/16" x 7" x 9"
DRB18M X 9DP DT FD	14 1/16" x 7" x 9"
DRB21M X 9DP DT FD	17 1/16" x 7" x 9"
DRB24M X 9DP DT FD	20 1/16" x 7" x 9"
DRB27M X 9DP DT FD	23 1/16" x 7" x 9"
DRB30M X 9DP DT FD	26 1/16" x 7" x 9"
DRB33M X 9DP DT FD	29 1/16" x 7" x 9"



GLASS INSERTS				
SKU	20, 28, 29, 30, 44, 47, 48, 69, 70, 74, 75, 78, 79	35, 54, 57, 58	39, 40, 42	08, 18, 19
<b>12" WIDE</b>				
DGI-1212	8" x 7 15/16"	6 5/16" x 6 3/8"	6 5/16" x 6 3/8"	6 5/16" x 6 3/8"
DGI-1212 BUTT	8" x 7 15/16"	6 9/16" x 6 3/8"	6 5/16" x 6 3/8"	7 3/8" x 6 3/8"
DGI-1215	8" x 10 15/16"	6 5/16" x 9 3/8"	6 5/16" x 9 3/8"	6 5/16" x 9 3/8"
DGI-1215 BUTT	8" x 10 15/16"	6 9/16" x 9 3/8"	6 5/16" x 9 3/8"	7 3/8" x 9 3/8"
DGI-1218	8" x 13 15/16"	6 5/16" x 12 3/8"	6 5/16" x 12 3/8"	6 5/16" x 12 3/8"
DGI-1218 BUTT	8" x 13 15/16"	6 9/16" x 12 3/8"	6 5/16" x 12 3/8"	7 3/8" x 12 3/8"
DGI-1224	8" x 20 5/16"	6 5/16" x 18 3/4"	6 5/16" x 18 3/4"	6 5/16" x 18 3/4"
DGI-1224 BUTT	8" x 20 5/16"	6 9/16" x 18 3/4"	6 5/16" x 18 3/4"	7 3/8" x 18 3/4"
DGI-1230	8" x 25 15/16"	6 5/16" x 24 3/8"	6 5/16" x 24 3/8"	6 5/16" x 24 3/8"
DGI-1230 BUTT	8" x 25 15/16"	6 9/16" x 24 3/8"	6 5/16" x 24 3/8"	7 3/8" x 24 3/8"
DGI-1236	8" x 31 15/16"	6 5/16" x 30 3/8"	6 5/16" x 30 3/8"	6 5/16" x 30 3/8"
DGI-1236 BUTT	8" x 31 15/16"	6 9/16" x 30 3/8"	6 5/16" x 30 3/8"	7 3/8" x 30 3/8"
DGI-1239	8" x 34 15/16"	6 5/16" x 33 3/8"	6 5/16" x 33 3/8"	6 5/16" x 33 3/8"
DGI-1239 BUTT	8" x 34 15/16"	6 9/16" x 33 3/8"	6 5/16" x 33 3/8"	7 3/8" x 33 3/8"
DGI-1242	8" x 37 15/16"	6 5/16" x 36 3/8"	6 5/16" x 36 3/8"	6 5/16" x 36 3/8"
DGI-1242 BUTT	8" x 37 15/16"	6 9/16" x 36 3/8"	6 5/16" x 36 3/8"	7 3/8" x 36 3/8"
<b>13" WIDE</b>				
DGI-1312 BUTT	9 1/2" x 7 15/16"	8 1/16" x 6 3/8"	7 13/16" x 6 3/8"	8 7/8" x 6 3/8"
DGI-1315 BUTT	9 1/2" x 10 15/16"	8 1/16" x 9 3/8"	7 13/16" x 9 3/8"	8 7/8" x 9 3/8"
DGI-1318 BUTT	9 1/2" x 13 15/16"	8 1/16" x 12 3/8"	7 13/16" x 12 3/8"	8 7/8" x 12 3/8"
DGI-1324 BUTT	9 1/2" x 20 5/16"	8 1/16" x 18 3/4"	7 13/16" x 18 3/4"	8 7/8" x 18 3/4"
DGI-1330 BUTT	9 1/2" x 25 15/16"	8 1/16" x 24 3/8"	7 13/16" x 24 3/8"	8 7/8" x 24 3/8"
DGI-1336 BUTT	9 1/2" x 31 15/16"	8 1/16" x 30 3/8"	7 13/16" x 30 3/8"	8 7/8" x 30 3/8"
DGI-1339 BUTT	9 1/2" x 34 15/16"	8 1/16" x 33 3/8"	7 13/16" x 33 3/8"	8 7/8" x 33 3/8"
DGI-1342 BUTT	9 1/2" x 37 15/16"	8 1/16" x 36 3/8"	7 13/16" x 36 3/8"	8 7/8" x 36 3/8"
<b>15" WIDE</b>				
DGI-1512	11" x 7 15/16"	9 5/16" x 6 3/8"	9 5/16" x 6 3/8"	9 5/16" x 6 3/8"
DGI-1512 BUTT	11" x 7 15/16"	9 9/16" x 6 3/8"	9 5/16" x 6 3/8"	10 3/8" x 6 3/8"
DGI-1515	11" x 10 15/16"	9 5/16" x 9 3/8"	9 5/16" x 9 3/8"	9 5/16" x 9 3/8"
DGI-1515 BUTT	11" x 10 15/16"	9 9/16" x 9 3/8"	9 5/16" x 9 3/8"	10 3/8" x 9 3/8"
DGI-1518	11" x 13 15/16"	9 5/16" x 12 3/8"	9 5/16" x 12 3/8"	9 5/16" x 12 3/8"
DGI-1518 BUTT	11" x 13 15/16"	9 9/16" x 12 3/8"	9 5/16" x 12 3/8"	10 3/8" x 12 3/8"
DGI-1521 BUTT	11" x 16 7/16"	9 9/16" x 14 7/8"	9 5/16" x 14 7/8"	10 3/8" x 14 7/8"
DGI-1524	11" x 20 5/16"	9 5/16" x 18 3/4"	9 5/16" x 18 3/4"	9 5/16" x 18 3/4"
DGI-1524 BUTT	11" x 20 5/16"	9 9/16" x 18 3/4"	9 5/16" x 18 3/4"	10 3/8" x 18 3/4"
DGI-1527 BUTT	11" x 22 15/16"	9 9/16" x 21 3/8"	9 5/16" x 21 3/8"	10 3/8" x 21 3/8"
DGI-1530	11" x 25 15/16"	9 5/16" x 24 3/8"	9 5/16" x 24 3/8"	9 5/16" x 24 3/8"
DGI-1530 BUTT	11" x 25 15/16"	9 9/16" x 24 3/8"	9 5/16" x 24 3/8"	10 3/8" x 24 3/8"
DGI-1536	11" x 31 15/16"	9 5/16" x 30 3/8"	9 5/16" x 30 3/8"	9 5/16" x 30 3/8"
DGI-1536 BUTT	11" x 31 15/16"	9 9/16" x 30 3/8"	9 5/16" x 30 3/8"	10 3/8" x 30 3/8"
DGI-1539	11" x 34 15/16"	9 5/16" x 33 3/8"	9 5/16" x 33 3/8"	9 5/16" x 33 3/8"
DGI-1539 BUTT	11" x 34 15/16"	9 9/16" x 33 3/8"	9 5/16" x 33 3/8"	10 3/8" x 33 3/8"
DGI-1542	11" x 37 15/16"	9 5/16" x 36 3/8"	9 5/16" x 36 3/8"	9 5/16" x 36 3/8"
DGI-1542 BUTT	11" x 37 15/16"	9 9/16" x 36 3/8"	9 5/16" x 36 3/8"	10 3/8" x 36 3/8"
<b>16" WIDE</b>				
DGI-1612 BUTT	12 1/2" x 7 15/16"	11 1/16" x 6 3/8"	10 13/16" x 6 3/8"	11 7/8" x 6 3/8"
DGI-1615 BUTT	12 1/2" x 10 15/16"	11 1/16" x 9 3/8"	10 13/16" x 9 3/8"	11 7/8" x 9 3/8"
DGI-1618 BUTT	12 1/2" x 13 15/16"	11 1/16" x 12 3/8"	10 13/16" x 12 3/8"	11 7/8" x 12 3/8"
DGI-1621 BUTT	12 1/2" x 16 7/16"	11 1/16" x 14 7/8"	10 13/16" x 14 7/8"	11 7/8" x 14 7/8"
DGI-1624 BUTT	12 1/2" x 20 5/16"	11 1/16" x 18 3/4"	10 13/16" x 18 3/4"	11 7/8" x 18 3/4"
DGI-1630 BUTT	12 1/2" x 25 15/16"	11 1/16" x 24 3/8"	10 13/16" x 24 3/8"	11 7/8" x 24 3/8"
DGI-1636 BUTT	12 1/2" x 31 15/16"	11 1/16" x 30 3/8"	10 13/16" x 30 3/8"	11 7/8" x 30 3/8"
DGI-1639 BUTT	12 1/2" x 34 15/16"	11 1/16" x 33 3/8"	10 13/16" x 33 3/8"	11 7/8" x 33 3/8"
DGI-1642 BUTT	12 1/2" x 37 15/16"	11 1/16" x 36 3/8"	10 13/16" x 36 3/8"	11 7/8" x 36 3/8"

GLASS INSERTS				
SKU	20, 28, 29, 30, 44, 47, 48, 69, 70, 74, 75, 78, 79	35, 54, 57, 58	39, 40, 42	08, 18, 19
<b>18" WIDE</b>				
DGI-1812	14" x 7 15/16"	12 5/16" x 6 3/8"	12 5/16" x 6 3/8"	12 5/16" x 6 3/8"
DGI-1812 BUTT	14" x 7 15/16"	12 9/16" x 6 3/8"	12 5/16" x 6 3/8"	13 3/8" x 6 3/8"
DGI-1815	14" x 10 15/16"	12 5/16" x 9 3/8"	12 5/16" x 9 3/8"	12 5/16" x 9 3/8"
DGI-1815 BUTT	14" x 10 15/16"	12 9/16" x 9 3/8"	12 5/16" x 9 3/8"	13 3/8" x 9 3/8"
DGI-1818	14" x 13 15/16"	12 5/16" x 12 3/8"	12 5/16" x 12 3/8"	12 5/16" x 12 3/8"
DGI-1818 BUTT	14" x 13 15/16"	12 9/16" x 12 3/8"	12 5/16" x 12 3/8"	13 3/8" x 12 3/8"
DGI-1821 BUTT	14" x 16 7/16"	12 9/16" x 14 7/8"	12 5/16" x 14 7/8"	13 3/8" x 14 7/8"
DGI-1824	14" x 20 5/16"	12 5/16" x 18 3/4"	12 5/16" x 18 3/4"	12 5/16" x 18 3/4"
DGI-1824 BUTT	14" x 20 5/16"	12 9/16" x 18 3/4"	12 5/16" x 18 3/4"	13 3/8" x 18 3/4"
DGI-1830	14" x 25 15/16"	12 5/16" x 24 3/8"	12 5/16" x 24 3/8"	12 5/16" x 24 3/8"
DGI-1830 BUTT	14" x 25 15/16"	12 9/16" x 24 3/8"	12 5/16" x 24 3/8"	13 3/8" x 24 3/8"
DGI-1836	14" x 31 15/16"	12 5/16" x 30 3/8"	12 5/16" x 30 3/8"	12 5/16" x 30 3/8"
DGI-1836 BUTT	14" x 31 15/16"	12 9/16" x 30 3/8"	12 5/16" x 30 3/8"	13 3/8" x 30 3/8"
DGI-1839	14" x 34 15/16"	12 5/16" x 33 3/8"	12 5/16" x 33 3/8"	12 5/16" x 33 3/8"
DGI-1839 BUTT	14" x 34 15/16"	12 9/16" x 33 3/8"	12 5/16" x 33 3/8"	13 3/8" x 33 3/8"
DGI-1842	14" x 37 15/16"	12 5/16" x 36 3/8"	12 5/16" x 36 3/8"	12 5/16" x 36 3/8"
DGI-1842 BUTT	14" x 37 15/16"	12 9/16" x 36 3/8"	12 5/16" x 36 3/8"	13 3/8" x 36 3/8"
<b>18 1/2" WIDE</b>				
DGI-18.512 BUTT	14 1/2" x 7 15/16"	13 1/16" x 6 3/8"	13 1/16" x 6 3/8"	13 13/16" x 6 3/8"
DGI-18.515 BUTT	14 1/2" x 10 15/16"	13 1/16" x 9 3/8"	13 1/16" x 9 3/8"	13 13/16" x 9 3/8"
DGI-18.518 BUTT	14 1/2" x 13 15/16"	13 1/16" x 12 3/8"	13 1/16" x 12 3/8"	13 13/16" x 12 3/8"
DGI-18.521 BUTT	14 1/2" x 16 7/16"	13 1/16" x 14 7/8"	13 1/16" x 14 7/8"	13 13/16" x 14 7/8"
DGI-18.524 BUTT	14 1/2" x 20 5/16"	13 1/16" x 18 3/4"	13 1/16" x 18 3/4"	13 13/16" x 18 3/4"
<b>19" WIDE</b>				
DGI-1912	15 1/2" x 7 15/16"	13 13/16" x 6 3/8"	13 13/16" x 6 3/8"	13 13/16" x 6 3/8"
DGI-1915	15 1/2" x 10 15/16"	13 13/16" x 9 3/8"	13 13/16" x 9 3/8"	13 13/16" x 9 3/8"
DGI-1918	15 1/2" x 13 15/16"	13 13/16" x 12 3/8"	13 13/16" x 12 3/8"	13 13/16" x 12 3/8"
DGI-1921	15 1/2" x 16 7/16"	13 13/16" x 14 7/8"	13 13/16" x 14 7/8"	13 13/16" x 14 7/8"
DGI-1924	15 1/2" x 20 5/16"	13 13/16" x 18 3/4"	13 13/16" x 18 3/4"	13 13/16" x 18 3/4"
DGI-1930	15 1/2" x 25 15/16"	13 13/16" x 24 3/8"	13 13/16" x 24 3/8"	13 13/16" x 24 3/8"
DGI-1936	15 1/2" x 31 15/16"	13 13/16" x 30 3/8"	13 13/16" x 30 3/8"	13 13/16" x 30 3/8"
DGI-1942	15 1/2" x 37 15/16"	13 13/16" x 36 3/8"	13 13/16" x 36 3/8"	13 13/16" x 36 3/8"
<b>21" WIDE</b>				
DGI-2112	17" x 7 15/16"	15 5/16" x 6 3/8"	15 5/16" x 6 3/8"	15 5/16" x 6 3/8"
DGI-2115	17" x 10 15/16"	15 5/16" x 9 3/8"	15 5/16" x 9 3/8"	15 5/16" x 9 3/8"
DGI-2118	17" x 13 15/16"	15 5/16" x 12 3/8"	15 5/16" x 12 3/8"	15 5/16" x 12 3/8"
DGI-2124	17" x 20 5/16"	15 5/16" x 18 3/4"	15 5/16" x 18 3/4"	15 5/16" x 18 3/4"
DGI-2130	17" x 25 15/16"	15 5/16" x 24 3/8"	15 5/16" x 24 3/8"	15 5/16" x 24 3/8"
DGI-2136	17" x 31 15/16"	15 5/16" x 30 3/8"	15 5/16" x 30 3/8"	15 5/16" x 30 3/8"
DGI-2139	17" x 34 15/16"	15 5/16" x 33 3/8"	15 5/16" x 33 3/8"	15 5/16" x 33 3/8"
DGI-2142	17" x 37 15/16"	15 5/16" x 36 3/8"	15 5/16" x 36 3/8"	15 5/16" x 36 3/8"

## MISCELLANEOUS PARTS &amp; ACCESSORIES

HINGES	
Part Name	Description
HINGE 170 FRAMED	Door-to-frame hinge for BER, BSS, CAR or WER cabinet
HINGE ER	Hinge for BER, BSS, CAR or WER24 cabinet
HINGE KIT TRI-VIEW	Hinge Kit for Tri-View Mirror (3 Pulls & 3 Hinges)
HINGE TILT OUT 45	Hinge for Factory Installed Tilt-Out Tray
HINGE FOL 6WY 45	6-Way Adjustable Full Overlay (FOL) door hinge
HINGE SOL 6WY 45	6-Way Adjustable Partial Overlay (POL) door hinge
HINGE FACEMOUNT 45	Hinge for facemount oven applications
HINGE FOL CC6WAY 45	6-Way Adjustable CushionClose Hinge for Clayton and Durango door styles
HINGE FOL CC6WY 45DP	6-Way Adjustable CushionClose Hinge Abilene (excluding Abilene Duraform), Bandera, Canyon, Cooper, Denver, Elderidge, Lubbock and Oxridge door styles
HINGE FOL CC6WY SAL	6-Way Adjustable CushionClose Hinge for Abilene Duraform and Belcourt door styles
HINGE CCFACEMOUNT 45	Hinge with CushionClose for facemount oven applications
HINGE SOL CC6WAY 45	Hinge with 6-Way Adjustment and CushionClose for Barren and Carson door styles
HINGE CC ANG RES CLP	Door Opening Angle Restriction Clip to 86 Degrees - for use on all Integrated CushionClose Hinges, excluding HINGE FOL CC6WY SAL (10 per pack)
HINGE CC RES CLP SAL	Door Opening Angle Restriction Clip to 86 Degrees - for use on HINGE FOL CC6WY SAL Hinges Only (10 per pack)
HINGE SPACER SHIM	Spaces Shim installed between the Hinge and Face Frame, adds inward left/right adjustment (for use on all hinges as needed)

## GLIDES/TRACKS/CHANNELS FOR 24" DEEP BASE/DESK OR SLIDING SHELF

Part Name	Description
CHANNEL 21L	Left channel for 24" deep base/desk drawer and sliding shelf
CHANNEL 21R	Right channel for 24" deep base/desk drawer and sliding shelf
CHANNEL SS1 L	Left channel for Sliding Shelf
CHANNEL SS1R	Right channel for Sliding Shelf
GLIDE FD CCL24	Left CushionClose Glide
GLIDE FD CCR24	Right CushionClose Glide
GLIDE HD CCL24	Left CushionClose Glide for 2 Drawer Base Cabinets
GLIDE HD CCR24	Right CushionClose Glide for 2 Drawer Base Cabinets
GLIDE WB CCL24	Left CushionClose Glide for Wastebasket cabinets
GLIDE WB CCR24	Right CushionClose Glide for Wastebasket cabinets
GLIDE WB FAL24	Left Full-Access Glide for Wastebasket cabinets
GLIDE WB FAR24	Right Full-Access Glide for Wastebasket cabinets
GLIDE DROTCCCL24	Left CushionClose glide for SDROT, CCBPPOK, SSK, CCROTDC
GLIDE DROTCCR24	Right CushionClose glide for SDROT, CCBPPOK, SSK, CCROTDC
TRACK GA 21L	Left track for 24" deep base/desk drawer and sliding shelf
TRACK GA 21R	Right track for 24" deep base/desk drawer and sliding shelf

## GLIDES/TRACKS/CHANNELS FOR 21" DEEP VANITY/DESK

Part Name	Description
CHANNEL V L	Left channel for 21" deep Vanity/Desk
CHANNEL V R	Right channel for 21" deep Vanity/Desk
TRACK V L	Left track for 21" deep Vanity/Desk
TRACK V R	Right track for 21" deep Vanity/Desk
GLIDE FD CCL VAN21	Left CushionClose glide for 21" deep Vanity/Desk
GLIDE FD CCR VAN21	Right CushionClose glide for 21" deep Vanity/Desk
GLIDE DROTCCCLVLC	Left Full-Access CushionClose® Vanity Linen Sliding Shelf Glide
GLIDE DROTCCRVLC	Right Full-Access CushionClose® Vanity Linen Sliding Shelf Glide
GLIDE WB CCL21	Left CushionClose Glide for DWBB1821 and VWBB1834H
GLIDE WB CCR21	Right CushionClose Glide for DWBB1821 and VWBB1834H

## TRACKS/CHANNELS FOR 18" DEEP VANITY OR KNEEHOLE DRAWER CABINET

Part Name	Description
CHANNEL V 18L	Left channel for 18" deep Vanity or for Kneehole Drawer Cabinet
CHANNEL V 18R	Right channel for 18" deep Vanity or for Kneehole Drawer Cabinet
TRACK GA 16L	Left track for 18" deep Vanity or for Kneehole Drawer Cabinet
TRACK GA 16R	Right track for 18" deep Vanity or for Kneehole Drawer Cabinet

## WHITE PLASTIC SPIN SHELVES AND PARTS

Part Name	Description
BSSCAR HUB RAS	With rollers, fits into shelf for pole attachment
BSSCWSCAR BRKT RAS	Top and bottom mounting brackets
BSSCWSCAR COLLAR ASM	Locking adjustable shelf collar for top shelf
BSSCWSCAR T-SHAFT RA	Metal post on which shelves spin (1 required)
BSS33 SHELF RAS	White spin shelf for BSS33/BSS3336/BSS3633 (2 required)
BSS36 SHELF RAS	White spin shelf for BSS36 (2 required)
BSS33 UNIT RAS	Complete spin unit for BSS33
BSS36 UNIT RAS	Complete spin unit for BSS36
CAR SHELF RAS	White spin shelf for CAR36 (2 required)
CAR36 UNIT RAS	Complete spin unit for CAR36
CBS SHELF RAS	White spin shelf for CBS36 (2 required)
CWS HUB RAS	With rollers, fits into shelf for pole attachment
CWS SHELF RAS	White spin shelf for CWS2430 (2 required)
CWS UNIT RAS	Complete plastic spin unit for CWS2430

## WOOD SPIN SHELF UNITS - ALL PLYWOOD CONSTRUCTION

Part Name	Description
BSS33 SHELF WD NP PLY	Wood spin unit and plywood shelf for BSS33 WD
BSS3336 SHELF WD NP PLY	Wood spin unit and plywood shelf for BSS3336 WD
BSS36 SHELF WD NP PLY	Wood spin unit and plywood shelf for BSS36 WD
BSS3633 SHELF WD NP PLY	Wood spin unit and plywood shelf for BSS3633 WD
CBS SHELF WD NP PLY	Wood spin unit and plywood shelf for CBS36 WD
CWS24 SHLF WD NP MI	Wood spin unit and matching interior shelf for CWS__WD
CWS24 SHLF WD NP PLY	Wood spin unit and plywood shelf for CWS__WD
CWS24 SHELF WDNPMPLY	Wood spin unit and matching interior plywood shelf for CWS__WD

## MISCELLANEOUS PARTS &amp; ACCESSORIES

## CLIPS / BRACKETS

Part Name	Description
BRACKET CHAN B	Back bracket for side-mounted channels
BRACKET GLIDE HD BOT	Bottom bracket for 2 Drawer Base Cabinets
BRACKET GLIDE WB BOT	Bottom bracket for Wastebasket cabinets
BRACKET GL B DROTUNI	Back bracket for all OVD cabinets, KDC cabinets, SDROT's and any pull-out unit that features full extension glides
BRACKET GL PBC L FG	Left back bracket for Peninsula Base Corner (PBC) Full-Extension Hidden Glide
BRACKET GL PBC R FG	Right back bracket for Peninsula Base Corner (PBC) Full-Extension Hidden Glide
BRACKET GL BD RDL FG	Left back bracket for any bottom drawer that uses the GLIDE FD CCL__ W/EXT (excluding PB, PBC, 2DB)
BRACKET GL BD RDR FG	Right back bracket for any bottom drawer that uses the GLIDE FD CCR__ W/EXT (excluding PB, PBC, 2DB)
BRACKET GL BD UNI FG	Left/Right back bracket for any bottom drawer that uses the Full-extension Glide (excluding PB, PBC, 2DB)
BRACKET GL BD UNI FG	Left/Right back bracket for any bottom drawer that use the GLIDE FD CC__ (excluding PB, PBC, 2DB)
BRACKET GL PB L FG	Left back bracket for Peninsula Base Full-Extension Hidden Glide
BRACKET GL PB R FG	Right back bracket for Peninsula Base Full-Extension Hidden Glide
BRACKET GL UD RDL FG	Left back bracket for any upper drawer(s) that uses the GLIDE FD CCL__ W/EXT (excluding PB, PBC, 2DB)
BRACKET GL UD RDR FG	Right back bracket for any upper drawer(s) that uses the GLIDE FD CCR__ W/EXT (excluding PB, PBC, 2DB)
BRACKET GL UD UNI FG	Left/Right back bracket for any upper drawer(s) that use the GLIDE FD CC__ (excluding PB, PBC, 2DB)
BRACKET RED DP REAR	Back bracket for reduced depth Side-Mounted Glide
CLIP HD DRB BACK L	Left back bracket for 2 Drawer Base cabinets
CLIP HD DRB BACK R	Right back bracket for 2 Drawer Base cabinets
CLIP DDF	Drawer front clip
CLIP MIRROR MCM FOL	Clip for MCM1530 Full Overlay Mirror door
CLIP MIRROR MCM SOL	Clip for MCM1530 Partial Overlay Mirror door
CLIP MIRROR TRIVIEW	Clip for TV3030/TV3630 Tri-View Mirror door
CLIP PILASTER	Shelf Rest for PSK36 Shelf & Pilaster Kit
CLIP REAR SHELF	Middle shelf rest for 30" or wider Wall cabinet shelf
CLIP SHELF NP SPIN	Locking shelf clip for NP Spin Units (Base 4 required, Wall 5 required)
DDF BRACKET FOL	DDF attachment bracket for Abilene DFO, Canyon DFO and Oxridge DFO door styles and FOL Wastebasket cabinets
DDF BRACKET CCAP FOL	Cover cap for DDF attachment bracket for Abilene DFO, Canyon DFO and Oxridge DFO door styles and FOL Wastebasket cabinets
DDF BRACKET SOL	DDF attachment bracket for Carson DFO door styles and POL Wastebasket cabinets
DDF BRACKET CCAP SOL	Cover cap DDF attachment bracket for Carson DFO door styles and POL Wastebasket cabinets
DDF BRACKET FOL OVEN	Oven DDF attachment bracket for Abilene DFO, Canyon DFO and Oxridge DFO door styles
DDF BKT CCAP FOL OVEN	Cover cap oven DDF attachment bracket for Abilene DFO, Canyon DFO and Oxridge DFO door styles
DDF BRACKET SOL OVEN	Oven DDF attachment bracket for Carson DFO door styles
DDF BKT CCAP SOL OVEN	Cover cap oven DDF attachment bracket for Carson DFO door styles
DRB HD MOUNT CLIP L	Left drawer release clip for 2 Drawer Base Cabinets
DRB HD MOUNT CLIP R	Right drawer release clip for 2 Drawer Base Cabinets
DRB WB MOUNT CLIP L	Left drawer release clip for Wastebasket Cabinets
DRB WB MOUNT CLIP R	Right drawer release clip for Wastebasket Cabinets
DRB MOUNT CLIP L FD	Left drawer release clip for Left Full-Extension Hidden Glide
DRB MOUNT CLIP R FD	Right drawer release clip for Left Full-Extension Hidden Glide
DROTFA MOUNT CLIP L	Left release clip for SDROT
DROTFA MOUNT CLIP R	Right release clip for SDROT
MOUNT BRACKET GA SS1	Bracket for Side-Mounted Channels
SHELF SUPT ADJ BASE	Middle shelf rest for 27" or wider Base cabinet shelf

## CLIPS / BRACKETS

SPACER GL BD FRT FG	Left/Right front drawer clip for bottom drawer on VDB__34H & DB__ cabinets (excluding 2DB)
SPACER GL KDC FRT FG	Left/Right front drawer clip for KDC

## SCREWS

Part Name	Description
SCREW BOLT EXT RD FG	Bolt for RD extender
SCREW BRACKET DDF	Screw to attach L bracket to DDF (Abilene DFO & Carson DFO door styles)
SCREW BRACKET DRB	Screw to attach L bracket to DRB (Abilene DFO & Carson DFO door styles)
SCREW CHANNEL	Channel installation screw (1 per channel)
SCREW DDF 1 1/4"	Drawer front installation screw
SCREW DDF 1"	Drawer front installation screw for 5-Piece Drawer Fronts
SCREW DDF SDC	SDC drawer front installation screw (1 per drawer body)
SCREW EXTENDER RD	Screw for RD extender (1 per extender)
SCREW GLIDE FD	Screw that attaches glide brackets to front face frame of cabinet (qty 1 per glide)
SCREW HINGE/DR	Hinge-to-door screw (2 per door)
SCREW HINGE/FR	Hinge-to-frame screw (1 per hinge)
SCREW NUT EXT RD FG	Nut for RD extender
SCREW TRACK	Track installation screw (2 per track)

## MISCELLANEOUS SHELVING

Part Name	Description
BS18 SHELF 1PK	Single Shelf for BS18__
BS18 SHELF 4PK	4 Pack Shelf Kit for BS18__
BS24 SHELF 1PK	Single Shelf for BS24__
BS24 SHELF 4PK	4 Pack Shelf Kit for BS24__
BS30 SHELF 1PK	Single Shelf for BS30__
BS30 SHELF 4PK	4 Pack Shelf Kit for BS30__
BS36 SHELF 1PK	Single Shelf for BS36__
BS36 SHELF 4PK	4 Pack Shelf Kit for BS36__
S369	Shelf for PSK36 Shelf and Pilaster Kit
WCMSC2412 SHELF	Microwave shelf for WCMSC241236 BUTT
WCMSC2712 SHELF	Microwave shelf for WCMSC271236 BUTT
WMSC2712 SHELF	Microwave shelf for WMSC271236 BUTT
WMSC2718 SHELF	Microwave shelf for WMSC271836 BUTT
WMSC3012 SHELF	Microwave shelf for WMSC301236

## MISCELLANEOUS PARTS &amp; ACCESSORIES

MISCELLANEOUS	
Part Name	Description
BASE CORNER BLOCK WD	Plywood corner block
BFP3 FRONT FILLER	Filler for BFP3 Base Filler Pull Out
BFP6 FRONT FILLER	Filler for BFP6 Base Filler Pull Out
BPP9 KIT CC	Kit for BPP9 CC Base Pull Out
BPP12 KIT CC	Kit for BPP12 CC Base Pull Out
BPPUS9 KIT CC	Kit for BPPUS9 CC Base Pull Out Utensil Storage
BPPUS12 KIT CC	Kit for BPPUS12 CC Base Pull Out Utensil Storage
BTDP9 KIT CC	Kit for BTDP9 CC Base Tray Divider Pull Out
BUMPER CLEAR	Door bumper (Strip of 4 bumpers)
BUMPER CLEAR 55	Door bumper (Strip of 55 bumpers)
BUMPER CLEAR DWR	Drawer bumper (Strip of 4 bumpers)
BUMPER CLEAR DT	Door bumper for Breeze and Drift door styles - Sheet of 4
BUMPER CLEAR DT 55	Door bumper for Breeze and Drift door styles - Sheet of 55
BWBB15 FH FOL KIT	Wastebasket kit for FOL BWBB15 FH
BWBB15 FH SOL KIT	Wastebasket kit for POL BWBB15 FH
BWBB15 FOL KIT	Wastebasket kit for FOL BWBB15
BWBB15 SOL KIT	Wastebasket kit for POL BWBB15
BWBB15-2 FOL KIT	Wastebasket kit for FOL BWBB15-2
BWBB15-2 SOL KIT	Wastebasket kit for POL BWBB15-2
BWBB18 FH FOL KIT	Wastebasket kit for FOL BWBB18 FH
BWBB18 FH SOL KIT	Wastebasket kit for POL BWBB18 FH
BWBB18-2 FOL KIT	Wastebasket kit for FOL BWBB18-2
BWBB18-2 SOL KIT	Wastebasket kit for POL BWBB18-2
BWBB21-2 FH FOL KIT	Wastebasket kit for FOL BWBB21-2 FH
BWBB21-2 FH SOL KIT	Wastebasket kit for POL BWBB21-2 FH
BWBB21-2 FOL KIT	Wastebasket kit for FOL BWBB21-2
BWBB21-2 SOL KIT	Wastebasket kit for POL BWBB21-2
CORNER BRACKET	Plastic corner block
COVER CAP 10MM TAN	Tan cover cap for cabinet backs
COVER CAP 10MM WHT	White cover cap for cabinet backs
DWBB1821 FOL KIT	Wastebasket kit for FOL DWBB1821
DWBB1821 SOL KIT	Wastebasket kit for POL DWBB1821
DWBB1824 FOL KIT	Wastebasket kit for FOL DWBB1824
DWBB1824 SOL KIT	Wastebasket kit for POL DWBB1824
DFDC FILE UNIT 21	File unit for DFDC1821
DFDC FILE UNIT 24	File unit for DFDC1824
FRAME SPACER BPP9	Unit stabilizer and frame spacer for BPP9 and BTDP9
KNOB SDC	Wooden knob for SDC/BSDC6
LATCH TILT OUT TRAY	Latch for Factory Installed Tilt-Out Tray
MAG CATCH TV BLK	Black magnetic catch for TV3030/TV3630 Tri-View Mirror
MAG CATCH TV WHT	White magnetic catch for TV3030/TV3630 Tri-View Mirror
MC SHELF HDW	Package of 4 shelf clips for MC/MCM cabinet
MIRROR TV3030	Mirror for TV3030
MIRROR TV3630	Mirror for TV3630
PDO21	Peg Dish Organizer for 21" 2 Drawer Base
PDO24	Peg Dish Organizer for 24" 2 Drawer Base
PDO27	Peg Dish Organizer for 27" 2 Drawer Base
PDO30	Peg Dish Organizer for 30" 2 Drawer Base
PDO33	Peg Dish Organizer for 33" 2 Drawer Base
PDO36	Peg Dish Organizer for 36" 2 Drawer Base
PEG KIT 4 PK	Package of 4 pegs for Peg Dish Organizer
PK36	Pilaster kit for PSK36 Shelf & Pilaster Kit
PULL TRIVIEW	Chrome pull for TV3030/TV3630 Tri-View Mirror
ROT DIVIDER KIT	Divider for CCR0TDK12/CCR0TDK15
ROT PROTECTOR	End plastic protector on Sliding Shelves and Deep Dovetail Sliding Shelves
SDROT21	Scalloped Deep Sliding Shelf for 21" 2 Drawer Base
SDROT24	Scalloped Deep Sliding Shelf for 24" 2 Drawer Base
SDROT27	Scalloped Deep Sliding Shelf for 27" 2 Drawer Base
SDROT30	Scalloped Deep Sliding Shelf for 30" 2 Drawer Base
SDROT33	Scalloped Deep Sliding Shelf for 33" 2 Drawer Base
SDROT36	Scalloped Deep Sliding Shelf for 36" 2 Drawer Base
TRAY ST TILT OUT 11	Stainless Tray ONLY for Factory Installed Tilt-Out
TRAY ST TILT OUT 14	Stainless Tray ONLY for Factory Installed Tilt-Out
TRAY ST TILT OUT 22	Stainless Tray ONLY for Factory Installed Tilt-Out

MISCELLANEOUS	
Part Name	Description
VWBB1834H FOL KIT	Wastebasket kit for FOL VWBB1834H
VWBB1834H SOL KIT	Wastebasket kit for POL VWBB1834H
WASTEBASKET 27QT SLV	Silver 27 QT Wastebasket
WASTEBASKET 35QT SLV	Silver 35 QT Wastebasket
WASTEBASKET 50QT SLV	Silver 50 QT Wastebasket
WOOD SPIN HOLE PLUG	Plug for Wood Spin shelf
WTH DOOR STAY	One Door Stay for Wall Top Hinge cabinet (qty 2 per door)
WTH DR STAY DR BRK	One Door Bracket for WTH DOOR STAY (qty 2 per door)
WTH DR STAY FR BRK	One Frame bracket for WTH DOOR STAY (qty 2 per door)
WTH HEX KEY BAG	One Hex Key for WTH DOOR STAY

## REPLACEMENT PARTS FOR 24" DEEP BASE AND DESK DRAWERS

WITH SIDE-MOUNTED GLIDES	
Part Name	Description
DRB__X 21DP SG	Standard small drawer body
DRB__M X 21DP SG	Standard large drawer body
CHANNEL 21L	Left channel for drawer - attaches to cabinet (qty 1 per drawer)
CHANNEL 21R	Right channel for drawer - attaches to cabinet (qty 1 per drawer)
TRACK GA 21L	Left track for drawer - attaches to drawer body (qty 1 per drawer)
TRACK GA 21R	Right track for drawer - attaches to drawer body (qty 1 per drawer)
BRACKET CHAN B	Back bracket for channel - attaches channel to cabinet (qty 2 per drawer)
SCREW CHANNEL	Channel screw - attaches channel to face frame (qty 1 per drawer)
SCREW TRACK	Track screw - attaches track to drawer body (qty 2 per drawer)
WITH CUSHIONCLOSE GLIDES	
DRB__X 21DP DT FD	Small drawer body - release clips attached
DRB__M X 21DP DT FD	Large drawer body - release clips attached
GLIDE FD CCL24	Left CushionClose Glide (qty 1 per drawer)
GLIDE FD CCR 24	Right CushionClose Glide (qty 1 per drawer)
BRACKET GL BD UNI FG	Back bracket for any bottom drawer (qty 2 per drawer)
BRACKET GL UD UNI FG	Back bracket for any upper drawer (qty 2 per drawer)
SCREW GLIDE FD	Screw to attach front clip for drawer (qty 2 per drawer)
DRB MOUNT CLIP L FD	Left drawer release clip for drawer glide - included with replacement drawer body (qty 1 per drawer)
DRB MOUNT CLIP R FD	Right drawer release clip for drawer glide - included with replacement drawer body (qty 1 per drawer)
SPACER GL BD FRT FG	Drawer clip for bottom drawer on DB__cabinets only (qty 2 per drawer)

## REPLACEMENT PARTS FOR 18" DEEP VANITY/KNEEHOLE DRAWERS

WITH SIDE-MOUNTED GLIDES	
Part Name	Description
DRB__X 15DP SG	Small drawer body
DRB__M X 15DP SG	Large drawer body
DRBKDC_X 15DP DT SG	Kneehole drawer body
CHANNEL V 18L	Left channel for drawer - attaches to cabinet (qty 1 per drawer)
CHANNEL V 18R	Right channel for drawer - attaches to cabinet (qty 1 per drawer)
TRACK GA 16L	Left track for drawer - attaches to drawer body (qty 1 per drawer)
TRACK GA 16R	Right track for drawer - attaches to drawer body (qty 1 per drawer)
BRACKET CHAN B	Back bracket for channel - attaches channel to cabinet (qty 2 per drawer)
SCREW CHANNEL	Channel screw - attaches channel to face frame (qty 1 per drawer)
SPACER GL BD FRT FG	Drawer clip for bottom drawer on VDB__34H cabinets only (qty 2 per drawer)
WITH CUSHIONCLOSE GLIDES	
DRB__X 15DP DT FD	Small drawer body - release clips attached
DRB__M X 15DP DT FD	Large drawer body - release clips attached
DRBKDC_X 15DP DT FD	Kneehole drawer body - release clips attached
GLIDE FD CCL18	Left full-extension hidden glide (qty 1 per drawer)
GLIDE FD CCR 18	Right full-extension hidden glide (qty 1 per drawer)
BRACKET GL BD UNI FG	Back bracket for any bottom drawer (qty 2 per drawer)
BRACKET GL UD UNI FG	Back bracket for any upper drawer (qty 2 per drawer)
SCREW GLIDE FD	Screw to attach front clip for drawer (qty 2 per drawer)
DRB MOUNT CLIP L FD	Left drawer release clip for drawer glide - included with replacement drawer body (qty 1 per drawer)
DRB MOUNT CLIP R FD	Right drawer release clip for drawer glide - included with replacement drawer body (qty 1 per drawer)

## REPLACEMENT PARTS FOR 21" DEEP VANITY AND DESK DRAWERS

WITH SIDE-MOUNTED GLIDES	
Part Name	Description
DRB__X 18DP SG	Small drawer body
DRB__M X 18DP SG	Large drawer body
CHANNEL V L	Left channel for drawer - attaches to cabinet (qty 1 per drawer)
CHANNEL V R	Right channel for drawer - attaches to cabinet (qty 1 per drawer)
TRACK V L	Left track for drawer - attaches to drawer body (qty 1 per drawer)
TRACK V R	Right track for drawer - attaches to drawer body (qty 1 per drawer)
BRACKET CHAN B	Back bracket for channel - attaches channel to cabinet (qty 2 per drawer)
SCREW CHANNEL	Channel screw - attaches channel to face frame (qty 1 per drawer)
SCREW TRACK	Track screw - attaches track to drawer body (qty 2 per drawer)
WITH CUSHIONCLOSE GLIDES	
DRB__X 18DP DT FD	Small drawer body - release clips attached
DRB__M X 18DP DT FD	Large drawer body - release clips attached
GLIDE FD CCL VAN21	Left CushionClose Glide (qty 1 per drawer)
GLIDE FD CCR VAN21	Right CushionClose Glide (qty 1 per drawer)
BRACKET GL BD UNI FG	Back bracket for any bottom drawer (qty 2 per drawer)
BRACKET GL UD UNI FG	Back bracket for any upper drawer (qty 2 per drawer)
SCREW GLIDE FD	Screw to attach front clip for drawer (qty 2 per drawer)
DRB MOUNT CLIP L FD	Left drawer release clip for drawer glide - included with replacement drawer body (qty 1 per drawer)
DRB MOUNT CLIP R FD	Right drawer release clip for drawer glide - included with replacement drawer body (qty 1 per drawer)
SPACER GL BD FRT FG	Drawer clip for bottom drawer on VDB__34H cabinets only (qty 2 per drawer)

## REPLACEMENT PARTS FOR SLIDING SHELVES, BASE POT &amp; PAN ORGANIZERS AND ROLL-OUT TRAY DIVIDER KITS

WITH FULL DEPTH WITH SIDE-MOUNTED GLIDES	
Part Name	Description
SSK__	Sliding Shelf Kit
CHANNEL SS1L	Left channel for sliding shelf - attaches to cabinet (qty 1 per drawer)
CHANNEL SS1R	Right channel for sliding shelf - attaches to cabinet (qty 1 per drawer)
TRACK GA 21L	Left track for sliding shelf - attaches to drawer body (qty 1 per drawer)
TRACK GA 21R	Right track for sliding shelf - attaches to drawer body (qty 1 per drawer)
BRACKET CHAN B	Back bracket for channel - attaches channel to cabinet (qty 2 per drawer)
SCREW CHANNEL	Channel screw - attaches channel to face frame (qty 1 per sliding shelf)
SCREW TRACK	Track screw - attaches track to drawer body (qty 2 per drawer)
WITH FULL DEPTH WITH CUSHIONCLOSE GLIDES	
SSK__	Sliding Shelf Kit (ships with ALL installation hardware)
BPPKCC__	Base Pot & Pan Organizer (ships with ALL installation hardware)
ROTDKCC__	Roll Out Tray Divider (ships with ALL installation hardware)
GLIDE DROTCCCL24	Left CushionClose Glide (qty 1 per sliding shelf)
GLIDE DROTCCR24	Right CushionClose Glide (qty 1 per sliding shelf)
SCREW GLIDE CC	Attachment screws for front brackets (2 per sliding shelf)
BRACKET GL B DROTUNI	Back bracket for drawer glide (qty 2 per sliding shelf)
BRACKETDROT FRT MTL	Front bracket for drawer glide - will ship with attachment screws (qty 2 per sliding shelf)
DROTFA MOUNT CLIP L	Left release clip for sliding shelf
DROTFA MOUNT CLIP R	Right release clip for sliding shelf



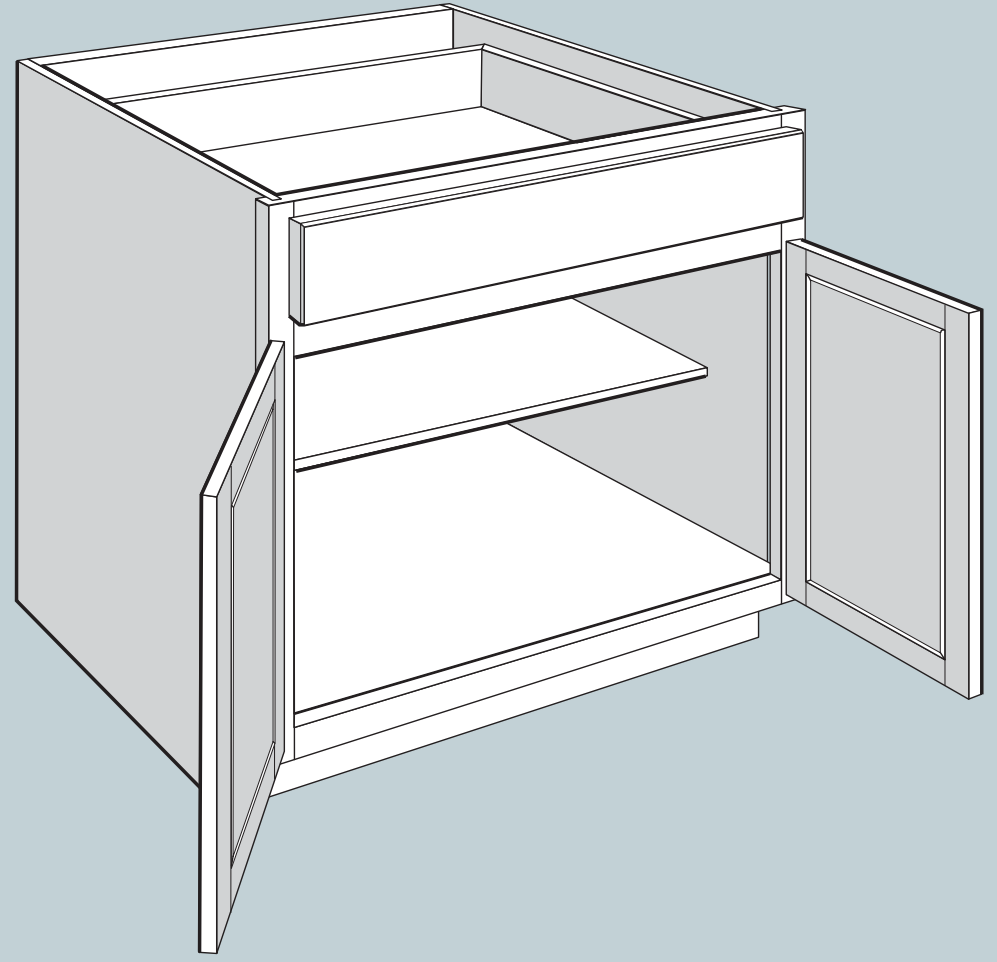
**REPLACEMENT PARTS FOR WASTEBASKET CABINETS**

WITH FULL-EXTENSION GLIDES	
Part Name	Description
BWBB____OL KIT	Base Bottom Mounted Wastebasket Kit (includes all installation items)
DWBB18____OL KIT	Desk Bottom Mounted Wastebasket Kit (includes all installation items)
VWBB1834H____OL KIT	Vanity Bottom Mounted Wastebasket Kit (includes all installation items)
GLIDE WB FAR24	Right Heavy Duty Glide for BWBB___, DWBB1824 (qty 1 per pullout)
GLIDE WB FAL24	Left Heavy Duty Glide for BWBB___, DWBB1824 (qty 1 per pullout)
SCREW GLIDE FD	Screw that attaches glide brackets to front face frame of cabinet (qty 1 per glide)
SCREW TRACK	Screw that attaches the door to the drawer box using "L" brackets (qty 2 per bracket)
SCREW BRACKET DDF	Attaches "L" bracket to drawer front (qty 2 per bracket)
SCREW BRACKET DRB	Attaches "L" bracket to drawer box (qty 2 per bracket)
BRACKET GLIDE WB BOT	Heavy Duty Glide Back Bracket - mounts to cabinet floor (qty 1 per glide)
DDF BRACKET FOL	Metal "L" bracket for FOL door attachment (qty 4 per door)
DDF BRACKET CCAP FOL	Plastic "L" bracket cover cap for DDF BRACKET FOL (qty 1 per bracket)
DDF BRACKET SOL	Metal "L" bracket for POL door attachment (qty 4 per door)
DDF BRACKET CCAP SOL	Plastic "L" bracket cover cap for DDF BRACKET SOL (qty 1 per bracket)
WASTEBASKET 27QT SLV	Silver 27 QT Wastebasket
WASTEBASKET 35QT SLV	Silver 35 QT Wastebasket
WASTEBASKET 50QT SLV	Silver 50 QT Wastebasket
WITH CUSHIONCLOSE GLIDES	
BWBB____OL KIT	Base Bottom Mounted Wastebasket Kit (includes all installation items)
DWBB18____OL KIT	Desk Bottom Mounted Wastebasket Kit (includes all installation items)
VWBB1834H____OL KIT	Vanity Bottom Mounted Wastebasket Kit (includes all installation items)
GLIDE WB CCL24	Cushion Close Heavy Duty Glide for BWBB___, DWBB1824 (qty 1 per pullout)
GLIDE WB CCR24	Cushion Close Heavy Duty Glide for BWBB___, DWBB1824 (qty 1 per pullout)
GLIDE WB CCL21	Cushion Close Heavy Duty Glide for DWBB1821, VWBB1834H (qty 1 per pullout)
GLIDE WB CCR21	Cushion Close Heavy Duty Glide for DWBB1821, VWBB1834H (qty 1 per pullout)
SCREW GLIDE FD	Screw that attaches glide brackets to front face frame of cabinet (qty 1 per glide)
SCREW TRACK	Screw that attaches the door to the drawer box using "L" brackets (qty 2 per bracket)
SCREW BRACKET DDF	Attaches "L" bracket to drawer front (qty 2 per bracket)
SCREW BRACKET DRB	Attaches "L" bracket to drawer box (qty 2 per bracket)
BRACKET GLIDE WB BOT	Heavy Duty Glide Back Bracket - mounts to cabinet floor (qty 1 per glide)
DDF BRACKET FOL	Metal "L" bracket for FOL door attachment (qty 4 per door)
DDF BRACKET CCAP FOL	Plastic "L" bracket cover cap for DDF BRACKET FOL (qty 1 per bracket)
DDF BRACKET SOL	Metal "L" bracket for POL door attachment (qty 4 per door)
DDF BRACKET CCAP SOL	Plastic "L" bracket cover cap for DDF BRACKET SOL (qty 1 per bracket)
WASTEBASKET 27QT SLV	Silver 27 QT Wastebasket
WASTEBASKET 35QT SLV	Silver 35 QT Wastebasket
WASTEBASKET 50QT SLV	Silver 50 QT Wastebasket

**REPLACEMENT PARTS FOR TWO DRAWER BASE**

WITH STANDARD CUSHIONCLOSE GLIDES	
Part Name	Description
DRB___HD X 21DPDTFD	Drawer body - release clips attached
GLIDE WB CCL24	Left CushionClose Glide (qty 1 per drawer)
GLIDE WB CCR24	Right CushionClose Glide (qty 1 per drawer)
BRACKET GL HD BOT	Bottom bracket for glide (qty 2 per drawer)
DRB WB MOUNT CLIP L	Left drawer release clip for drawer glide - included with replacement drawer body (qty 1 per drawer)
DRB WB MOUNT CLIP R	Right drawer release clip for drawer glide - included with replacement drawer body (qty 1 per drawer)

# INDEX



	Code	Page
3-Sided Stock	S3S__	169
4-Sided Stock	S4S__	169
<b>A</b>		
Accent Turned Foot	ATF	181
Accent Turned Foot, Full Round	ATF-FR	181
Adaptable Sink Base Kit	ASB__ KIT	118
Adjustable Drawer Divider Insert Kit	ADDIK__	123
Adjustable Shelf Kit	S/SK__	164
All Plywood Construction Option	APC	54
Angle Crown Molding	ACM8	166
Angle Crown Molding	ACM8 DT	166
Angled Corbel	AS12__	177
Angled Outside Corner Molding	AOSC8	170
Asymmetrical Base Easy Reach	BER__	109
Asymmetrical Base Super Susan with Wood Spin Units	BSS__ WD	110
<b>B</b>		
Base Bookshelf	BS2434	133
Base Cabinet Construction		41
Base Cabinet Decorator Matching Doors	DMDB	190
Base Cabinet Dimensions		42
Base Cabinet Tray Divider Pull-Out	BTDP9 CC	101
Base Cabinet with 2 Doors Factory Installed Drawer Organizers	B__ BUTT __	98
Base Cabinet with Factory Installed Drawer Organizers	B__	96
Base Cabinet with Factory Installed Roll-Out Tray Divider	B__ CCROTD	94
Base Cabinet, 1 Factory Installed Wastebasket	BWBB15	95
Base Cabinet, 2 Factory Installed Wastebaskets	BWBB__-2	95
Base Cabinet, Standard with 2 Butt Doors	B__	97
Base Cabinet, Standard with Center Stile	B__	99
Base Cabinet, Standard with One Door	B__	94
Base Cabinet, with 2 Butt Doors and Sliding Shelves	B__ SS__	97
Base Cabinet, with Center Stile and Sliding Shelves	B__ SS__	99
Base Cabinet, with One Door and Sliding Shelves	B__ SS__	94
Base Column Filler	B_C__	196
Base Corner Filler	BCF27	193
Base Easy Reach	BER__	109
Base End Angle	BEA__ FH	120
Base Filler Pull-Out	BFP3CC	121
Base Locking Shelf Rest		45
Base Microwave Cabinet	BMC__	120
Base Mixer Lift Kit	BMLK18	125
Base Oven Cabinet Universal	BOCU__	121
Base Pantry Pull-Out	BPP__CC	102
Base Plumbing Skirt	BPS__UD	117
Base Pot & Pan Organizer Kit	BPPOKCC__	124
Base Spice Drawer Cabinet	BSDC6	119
Base Square Foot	BSQF	181
Base Square Leg	BSQL	181
Base Super Susan with Wood Spin Units	BSS__ WD	110
Base Tapered Leg	BTPL	181
Base Toe Kick	BTK8	197
Base Turned Leg	BTL	181
Base Utensil Storage Pull-Out	BPPUCC__ CC	101
Base Wine Rack Cabinet	BWRC6	119
Batten Molding	BM8	170
Batten Molding	BM8 DT	170

	Code	Page
Batten Molding - Builder	BM8 BLD	171
Blind Base Pull Out Kit	BLBP0K45	125
Blind Base Swing Out Kit	BLBSOK45__	125
Blind Corner Base Installation Chart		114
Blind Corner Base	BLB__	112
Blind Corner Closure	BLC__	90
Blind Corner Closure	BLC1515	127
Blind Peninsula Corner Base	PBC__	108
Blind Wall Cabinet	BLW__	76
Blind Wall Cabinet Dimensions		77
Blind Wall Cabinet Installation Chart		77
Box Range Hood, Artisan	RH__ A	84
Box Range Hood, Modern Box	RH__ MB	84
Box Range Hood, Shiplap Box	RH__ SB	84
Box Range Hood, Sloped	RH__ SL	84
Built-In Microwave Cabinet	BBMC__	121
<b>C</b>		
Cabinet Angle Molding	CAM8	170
Cabinet Care		38
Cabinet Front Only Option	CFO	58
Cabinet Specifications		37
Cabinet Tray Divider	TD3	126
Ceiling Height Requirements		48
Certification		36
Chair Rail Molding	CR8	167
Chantilly Decorative Foot	CDF	182
Chantilly Decorative Leg	CDL	182
Chantilly Furniture Leg	CFL	182
Classic Baseboard Molding	CLBM8	168
Classic Trim Molding	CLTM8	168
Cleaning Caddy Pullout Kit	CCPOK	126
Cleat	HWC__	198
Construction Comparison Chart		55
Construction Option Examples		52
Construction Option Legend		52
Contact Information	-	4
Contemporary Trim Molding	CTM8	166
Contemporary Trim Molding	CTM8 DT	166
Corner Appliance Garage	AG__	82
Corner Base Carousel	CAR	111
Corner Base with Plastic Spin Shelves	CBS36	111
Corner Base with Wood Spin Units	CBS36 WD	111
Corner Sink Base	CSB36	115
Corner Sink Front	CSF__	119
Corner Wall Cabinets	CW__	78
Corner Wall with Appliance Garage	CW2448	79
Corner Wall with Appliance Garage, Spin Units	CWDS2448	80
Cover Caps	COVER CAP	198
Crown Molding - Builder	CM8 BLD	171
Crown Molding	CM8	166
Curved Corbel	CS12__	177
CushionClose Deep Dovetail Sliding Shelf Option	CCSS	56
CushionClose Glide Option	CCDW	56
CushionClose Hinge Option	CCH	56
Cutlery Divider Kit	CDAK__	122

	Code	Page
<b>D</b>		
Decorative Cove Molding	DCVM8	166
Decorative Glass Clips	CLIP DGI __	69
Decorative Hardware		201
Decorative Inside Corner Molding	ICM8	170
Decorative Mantel Range Hood	WRH__ DM	83
Decorative Trim Molding	DCTM8	166
Decorator Matching Doors	DMDBEA12	190
Deep Sink/Range Base Cabinet	DSB__	115
Delivery Services	-	6
Desk Cabinet Decorator Matching Doors	DMDD__	190
Desk Cabinet Dimensions		43
Desk Cabinet with Wastebasket Pull-Out, 21" Deep	DWBB1821	130
Desk Cabinet with Wastebasket Pull-Out, 24" Deep	DWBB1824	130
Desk Door Cabinet, 21" Deep	DDO__ 21	130
Desk Door Cabinet, 24" Deep	DDO__ 24	130
Desk Drawer Cabinet, 21" Deep	DDR__ 21	131
Desk Drawer Cabinet, 24" Deep	DDR__ 24	131
Desk End Panel	DEP	134
Desk End Panel	DEP	162
Desk End Panel	DEP	186
Desk File Pull-Out Cabinet, 21" Deep	DFDC1821	131
Desk File Pull-Out Cabinet, 24" Deep	DFDC1824	131
Dishwasher Return	DWR3	186
Door Style Collections	-	9
Door Style Collections, Choice		30
Door Style Collections, Elite		10
Door Style Collections, Premium		16
Door Style Collections, Prime		24
Double Oven Cabinet, 1 Drawer	OVD__ BUTT	149
Double Oven Cabinet, No Drawer	OVD__ BUTT NDWR	148
Drawer Base Cabinet, 3 Drawers	DB__	105
Drawer Base Cabinet, 4 Drawers	DB__ 4DWR	105
Drawer Base Cabinet Dimensions		43
Drawer Upgrades		56
Drawer Work Surface	DWS21	123
Dummy Drawer Front Fastener	DDF FASTENER	198
<b>E</b>		
Edge Banding	EDGE BAND__	200
<b>F</b>		
Filler, Plain Box	WPB__	85
Finished Shelf	FS__	90
Finishing System Specifications		38
Floating Shelf	FLSH__	90
Floating Shelf	FLSH__	134
Fluted Beaded Filler Extension	FBF E3__	193
Fluted Beaded Filler	FBF__	193
Full Depth Shelf Option	FDS	60
Full-Height Base Cabinet with Tray Divider and Shelf	TB9 TDS	100
Full-Height Base Cabinet, 1 Factory Installed Wastebasket	BWBB15 FH	102
Full-Height Base Cabinet, 2 Butt Doors	B__ FH	102
Full-Height Base Cabinet, 2 Factory Installed Wastebaskets	BWBB21-2 FH	102
Full-Height Base Cabinet, One Door	TB9/B__ FH	100
Full-Height Base with 2 Butt Doors and Sliding Shelves	B__ FH SS__	103

	Code	Page
Full-Height Base with One Door and Sliding Shelves	B__ FH SS__	101
Full-Height Blind Corner Base with Accessories	BLB__ FH __	113
Full-Height Blind Corner Base	BLB__ FH	112
Full-Height Peninsula Base	PB__ FH	107
Furniture Drawer Cabinet	FD__	103
Furniture Drawer Cabinet	FD__	131
Furniture Drawer Cabinet	FD__	162
Furniture Ends Option	FE	59
<b>G</b>		
Glass Insert	DGI__	68
Glass Shelf Kit	GSK__	91
Grooved End Panel	_EP__ GROOVED	187
<b>H</b>		
Hardware Specifications		45
Hinge Restriction Clip	HINGE CC ANG RES CLP	198
Hinges		45
<b>I</b>		
Increased Depth Option	ID	58
Inset Light Rail Molding	ILR8	168
Inside Corner Molding - Builder	QM8 BLD	171
Inside Corner Molding	QM8	170
Inside Corner Molding	QM8 DT	170
Installation Guidelines		46
Inverted Frame Option	IF	59
<b>K</b>		
Kneehole Drawer Cabinet	KDC__	132
Kneehole Drawer Cabinet	KDC__	162
Knife Block Drawer Insert Kit	KBDIK__	123
<b>L</b>		
Large Cove Molding	LCVM8	166
Large Cove Molding	LCVM8 DT	166
Large Crown Molding - Builder	LCM8 BLD	171
Large Crown Molding	LCM8	166
Large Finley Corbel	FC312	178
Large Narrow Cove Corbel	CC212	177
Large Prairie Corbel	PC312	178
Large Rosette Corbel	RC313	179
Large Valencia Corbel	VC312	178
Library Light Rail Molding	LBM8	167
<b>M</b>		
Matching Interior Option	MI	61
Medicine Cabinet	MC/MCM__	161
Medium Cove Corbel	CC49	177
Medium Finley Corbel	FC49	178
Medium Narrow Cove Corbel	CC29	177
Medium Prairie Corbel	PC49	178
Medium Rosette Corbel	RC49	179
Medium Valencia Corbel	VC49	178
Metal Cove Corbel	METAL COVE 212__	179
Metal Emerson Corbel	METAL EMERSON 27__	179



	Code	Page
Metal Shelf Rest		45
Microwave Wall	WMC__	75
Mirror Molding	MM8	167
Molding & Decorative Accents		165
Mullion Frame Door Profiles	MFD	66
Mullion Shelf Rest		45
<b>O</b>		
Ogee Molding	OGE8	167
Ogee Pilaster Molding	OGP8	168
Open Frame Door Profiles	OFD	65
Order Replacement Procedure	-	5
Outside Corner Molding - Builder	OCM8 BLD	171
Outside Corner Molding	OTCM8	170
Outside Corner Molding	OTCM8 DT	170
Oven Cabinet, Single	OVS__	139
Overlay Dimensions		49
Overlay Filler	_OF__	194
Overlay Filler Profiles		195
<b>P</b>		
Panels, Fillers & Installation Items		185
Parker Decorative Foot	PDF	182
Parker Decorative	PDL	182
Parker Furniture Leg	PFL	182
Pedestal Drawer Cabinet	PD__	103
Peninsula Base Cabinet	PB__	107
Plain Box Filler	WPB__	196
Plinth Block - 3"	_B3X4 PLINTH	180
Plinth Block - 6"	_B6X6 PLINTH	180
Plywood Ends Option	PE	54
Plywood Panel	WP__	188
Pot & Pan Organizer Cabinet, 2 Butt Doors	B__ CCBPPO	97
Pot and Pan Organizer Cabinet, One Door	B__ CCBPPO	95
Premium Finish Cabinet Option		53
Putty Stick	PUTTY STICK	200
<b>Q</b>		
Quarter Round Molding	QR8	170
<b>R</b>		
Range Hood, Artisan	RH__ A	84
Range Hood Blower	RHVENT__	86
Range Hood Chimney, Plain	RHC__	85
Range Hood, Classic Tapered	RH__CT	83
Range Hood Liner, Straight Valance	RHLINER__ S	88
Range Hood Liner, Tapered	RHLINER__	88
Range Hood, Modern Box	RH__ MB	84
Range Hood, Raised Panel	RH__ RP	85
Range Hood, Shiplap Box	RH__ SB	84
Range Hood, Sloped	RH__ SL	84
Range Hood, Straight Valance	RH__ SV	85
Recessed Toe Kick Option	RTK	60
Reduced Depth Option	RD	57

	Code	Page
Refrigerator Return Panel	RR__	189
Replacement Policy	-	7
Roll-Out Tray Divider Kit	ROTDKCC__	124
Rosette Block - 3"	_B3X3 ROSETTE	180
<b>S</b>		
Screws, Installation	SCREW	198
Scribe Molding - Builder	SM8 BLD	171
Scribe Molding	SM8	170
Scribe Molding	SM8 DT	170
Scribe Molding	SM10	170
Service Policy	-	5
Shaker Accent Molding	SAM	169
Shaker Chair Rail Molding	SQCR8	167
Shaker Insert Molding	SIM8	167
Shaker Mirror Molding	SMM8	167
Shelf, Adjustable	S/SK__	164
Shelf End Wall, Round Top and Bottom	SEW__	82
Shelf End Wall, Square Top and Bottom	SEW__ SQTB	82
Shelf End Wall, Square Top and Round Bottom	SEW__ SQT	82
Shelf, Floating	FLSH__	90
Shelf, Floating	FLSH__	134
Shelf Rests	SHELF REST	197
Shoe Molding - Builder	SHM8 BLD	171
Shoe Molding	SHM8__	170
Side-Mounted Drawer Glides		45
Single Bead Accent Molding	SBAM8	169
Single Bead Insert Molding	SBIM8	167
Single Bead Molding	SBM8	169
Single Oven Cabinet, with 2 Butt Doors, 2 Large Drawers	OVS__ BUTT 2DDWR	145
Single Oven Cabinet, with 2 Butt Doors, 3 Drawers	OVS__ BUTT 3DWR	146
Single Oven Cabinet, with 2 Butt Doors, 4 Drawers	OVS__ BUTT 4DWR	147
Single Oven Cabinet, with 4 Butt Doors, 1 Drawer	OVS__ BUTT 1DWR	141
Single Oven Cabinet, with 4 Butt Doors, 1 Drawer & Pot & Pan Organizer	OVS__ BUTT 1DWR CCBPPO	142
Single Oven Cabinet, with 4 Butt Doors, 2 Drawers	OVS__ BUTT 2DWR	143
Single Oven Cabinet, with 4 Butt Doors, 2 Drawers, Pot & Pan Organizer	OVS__ BUTT 2DWR CCBPPO	144
Single Oven Cabinet, with Base Pot & Pan Organizer	OVS__ BUTT CCBPPO	140
Sink Base Door Storage Unit	SBDSU__	127
Sink Base Mat	SBMAT__	126
Sink Base Multi-Storage Cabinet	SBMSC__ BUTT STO	117
Sink Base Multi-Storage Shelf	SBMSS	126
Sink Base with One Factory Installed Tilt-Out Tray(s)	SB__ STO	116
Sink Base with Two Factory Installed Tilt-Out Tray(s)	SB__ STO	117
Sink/Cooktop Base Cabinet	SB__	116
Sink/Cooktop Front	SF__	118
Sink/Vanity Front Floor	FL__	187
Sink/Vanity Front Return	SFR	186
Sliding Shelf 4-Pack Kit	USS__4K	151
Sliding Shelf 4-Pack Kit	USS__4K	164
Sliding Shelf Kit	SSK__	124
Sliding Shelf Kit	SSK__	133
Sliding Shelf Kit	SSK__	151
Sliding Shelf Kit	SSK__	164
Small Cove Corbel	CC36	177
Small Cove Molding	SCVM8	166
Small Cove Molding	SCVM8 DT	166

	Code	Page
Small Finley Corbel	FC36	178
Small Narrow Cove Corbel	CC26	177
Small Prairie Corbel	PC36	178
Small Rosette Corbel	RC36	179
Small Single Bead Molding	SSBM8	169
Small Traditional Light Rail Molding	STLR8	168
Small Valencia Corbel	VC36	178
Soffit Crown Molding	SCM8	166
Specialty Door Options		63
Spice Drawer Cabinet	SDC__	81
Spice Drawer Insert Kit	SDIK__	122
Spice Rack Kit	SRK__	89
Split Post	SPLT POST80 P	183
Spray Stain	SPRAY STAIN	199
Square Inset Light Rail Molding	SQILR8	168
Stain	STAIN	199
Standard Cabinet Specifications		35
Starter Molding	STRM8	169
Stem Glass Holder	SGH36U	89
Storage Cube	SC__	80
Storage Cube	SC__	132
Straight Appliance Garage	AGS__	82
Straight Trim Molding	UM8	170

## T

Tall Bookshelves	BS__	132
Tall Cabinet Decorator Matching Doors	DMDT__	191
Tall Cabinet Dimensions		44
Tall Cabinets		135
Tall Column Filler	T_C__	196
Tapered Foot	TPF	181
Textured Base Toe Kick	BTK8 DT	197
Textured Duraform End Panel	_EP__DT	187
Textured Finished Shelf	FS__	90
Textured Overlay Filler	_OF__ DT	194
Textured Plywood Panel	WP__ DT	188
Textured Universal Filler	S3S__ DT	192
Textured Wood Tall End Panel	WWEP__ DT, WBEP__ DT, DWTEP__ DT	188
Tilt-Out Tray Kit	STO TRAY__	163
Tilt-Out Tray Kit	TO/STO TRAY__	127
Touch Up Kit	TOUCHUP KIT	199
Touchup Marker	TU MARKER	200
Traditional Classic Crown Molding	TCCM8	166
Traditional Split Block	SPLT BLOCK26	183
Tri-View Mirror	TV__	162
Two Drawer Base Cabinet	DB__ 2DWR	104

## U

Universal Filler Extension	UF E3__	192
Universal Filler	UF__	192
Utility Cabinet, 12" Deep	UT__ 12 X __	136
Utility Cabinet, 12" Deep, with Adjustable Shelves	UT__ 12 X __ AS	137
Utility Cabinet, 24" Deep	UT__ 24 X __	136
Utility Cabinet, 24" Deep, with Adjustable Shelves	UT__ 24 X __ AS	137
Utility Cabinet, 24" Deep, with Pantry Storage	UT3624 X __ PCDS BUTT	139
Utility Cabinet, 24" Deep, with Sliding Shelves	UT__ 24 X __ 4SSK	138

	Code	Page
<b>V</b>		
Valances	V__	175
Valet Cabinet	VC2436 BUTT	161
Vanity Adaptable Sink Base Kit	ASB__ 32 KIT	161
Vanity Base Cabinet with Wastebasket Pull-Out, 34 1/2" High	VWBB1834H	154
Vanity Base, One Door	VB__	154
Vanity Base, Two Butt Doors	VB__ BUTT	154
Vanity Base with Full-Height Door, 34 1/2" High	VB__ 34H FH	155
Vanity Cabinet Decorator Matching Doors	DMDV	191
Vanity Cabinet Dimensions		43
Vanity Cabinets		153
Vanity Combo Sink Base, 31 1/8" High	VSDB__	159
Vanity Combo Sink Base, 34 1/2" High	VSDB3934H BK	159
Vanity Drawer Base, 31 1/8" High	VDB__	155
Vanity Drawer Base, 34 1/2" High	VDB__ 34H	155
Vanity Linen Cabinet	VLC__	163
Vanity Linen Cabinet, with Adjustable Shelves	VLC__ AS	163
Vanity Linen Cabinet, with Sliding Shelves	VLC__ 4SSK	164
Vanity Plumbing Skirt	VPS__ UD	160
Vanity Sink Base, 34 1/2" High	VSDB/VAN__ 34H	156
Void Door Option	VDO__	62
Void Top Drawer Option	VTD	62

## W

Wall Bookshelves	BS__	133
Wall Cabinet Construction		40
Wall Cabinet Decorator Matching Doors	DMDW__	191
Wall Cabinet Dimensions		42
Wall Cabinet, Standard	W__	72
Wall Cabinet with Spice Rack	W__ SR	74
Wall Column Filler	W_C__	196
Wall Easy Reach	WER__	79
Wall End Angle Cabinet	WEA12__	80
Wall Microwave Cabinet, with Shelf	WMSC__	75
Wall Range Hood, Classic Tapered	WRH__ CT	83
Wall Range Hood, Decorative Mantle	WRH__ DM	83
Wall Range Hood, Raised Panel	WRH__ RP	83
Wall Range Hood, Straight Valance	WRH__ SV	83
Wall Top Hinge Cabinet	WTH__	74
Warranty	-	8
Wide Batten Molding	WBM8	170
Wine Rack Cabinet	WRC__	81
Wine Rack	WR36	89
Wine Storage Cabinet	WSC__	81
Wood End Panel	_EP__	187
Wood Species & Materials Specification		39
Wood Tall End Panel	WTEP__	188
Wood Tiered Cutlery Divider Kit	WTCDFD__	122



# 1951<sup>TM</sup>

Cabinetry

P.O. Box 1980  
Winchester, Virginia 22604  
[www.1951Cabinetry.com](http://www.1951Cabinetry.com)

©2024 American Woodmark Corporation

51 SPEC GUIDE 3-24

